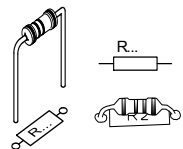


START

1

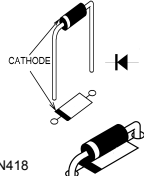
Resistor - Weerstand - Résistance - Widerstand - Resistencia - Motstand - Vastus - Resistenze



- ◇ R1, R2 : 2K2 (Red, Red, Red) - (Rood, Rood, Rood) - (Rouge, Rouge, Rouge) - (Rot, Rot, Rot) - (Röd, Röd, Röd) - (Punainen, Punainen, Punainen) - (Rojo, Rojo, Rojo) - (Encarnado, Encarnado, Encarnado) - (Rosso, Rosso, Rosso)
- ◇ R3 ... R9 : 1K2 (Brown, Red, Red) - (Bruin, Rood, Rood) - (Brun, Rouge, Rouge) - (Braun, Rot, Rot) - (Brun, Röd, Röd) - (Ruskea, Punainen, Punainen) - (Marrón, Rojo, Rojo) - (Castanho, Encarnado, Encarnado) - (Marrone, Rosso, Rosso)
- ◇ R10 : 470 (Yellow, Purple, Brown) - (Geel, Paars, Bruin) - (Jaune, Violet, Brun) - (Gelb, Violet, Braun) - (Gul, Lila, Brun) - (Keltainen, Purpura, Ruskea) - (Amarillo, Morado, Marrón) - (Amarelo, Violeta, Castanho) - (Giallo, Viola, Marrone)
- ◇ R11 ... R15 : 100K (Brown, Black, Yellow) - (Bruin, zwart, Geel) - (Brun, noir, Jaune) - (Braun, Schwarz, Gelb) - (Brun, Svart, Gul) - (Ruskea, Musta, Keltainen) - (Marrón, Negro, Amarillo) - (Castanho, Preto, Amarelo) - (Marrone, Nero, Giallo)

2 Diode

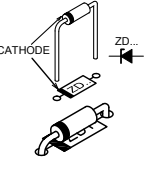
Watch the polarity !
Attention à la polarité !



- ◇ D1 : 1N418
- ◇ D2 : 1N4007

3 Zener-diode

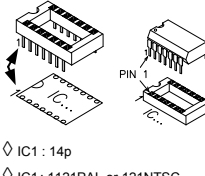
Watch the polarity !
Attention à la polarité !



- ◇ ZD1 ... ZD4 : 5V1

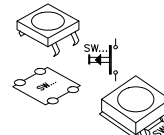
4 IC-socket & Ic

WATCH THE POSITION OF THE NOTCH !
ATTENTION A LA POSITION DE L'ENCOCHE !



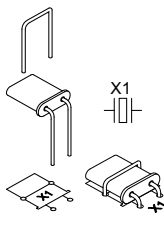
- ◇ IC1 : 14p
- ◇ IC1 : 1121PAL or 121NTSC (programmed PIC16C505)

5 Push buttons



- ◇ SW1 : Restart
- ◇ SW2 : Up (player 1)
- ◇ SW3 : Down (player 1)
- ◇ SW4 : Up (player 2)
- ◇ SW5 : Down (player 2)

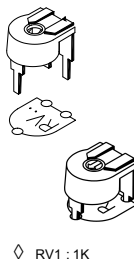
6 Quartz crystal



- ◇ X1 : 10MHz

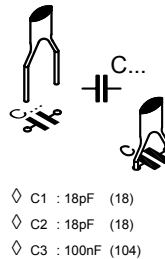
MK121_ rev.1

7 Trimmer



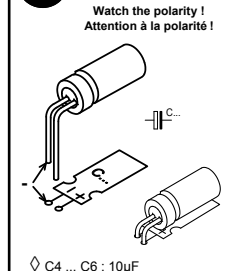
- ◇ RV1 : 1K

8 Capacitors



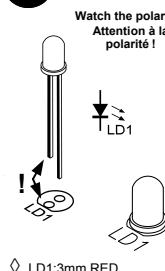
- ◇ C1 : 18pF (18)
- ◇ C2 : 18pF (18)
- ◇ C3 : 100nF (104)

9 Electrolytic capacitor



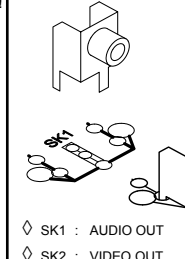
- ◇ C4 ... C6 : 10µF

10 LED



- ◇ LD1 : 3mm RED

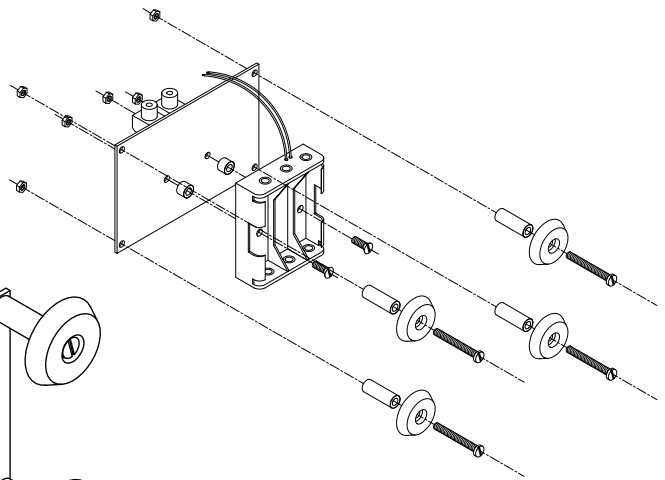
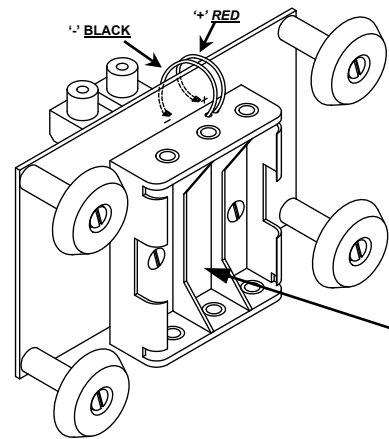
11 Cinch connectors



- ◇ SK1 : AUDIO OUT
- ◇ SK2 : VIDEO OUT

12 Batteryholder & assembly

CONNECTING THE BATTERY HOLDER



PLACE 3 'AA' BATTERIES HERE !

Watch the polarity !
Att. à la polarité !

