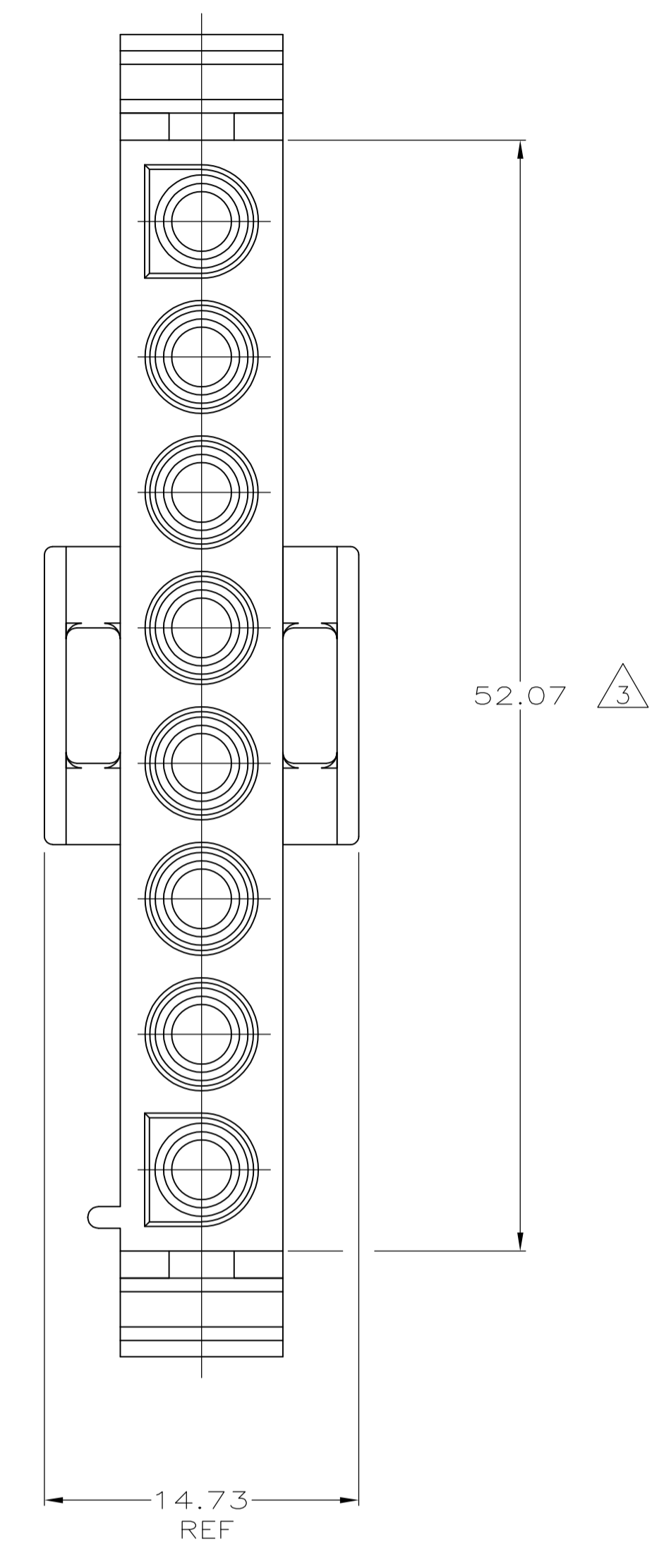
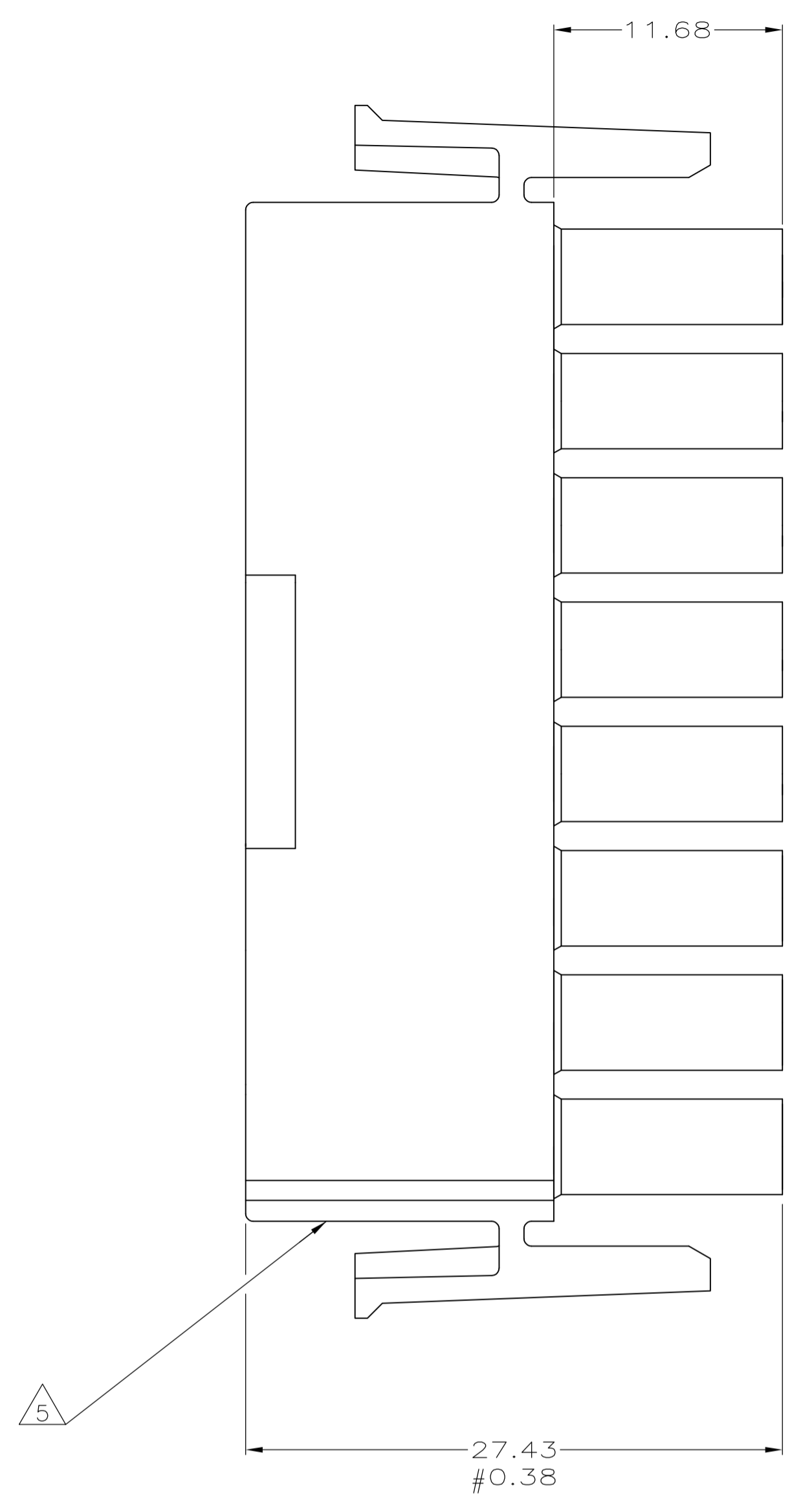
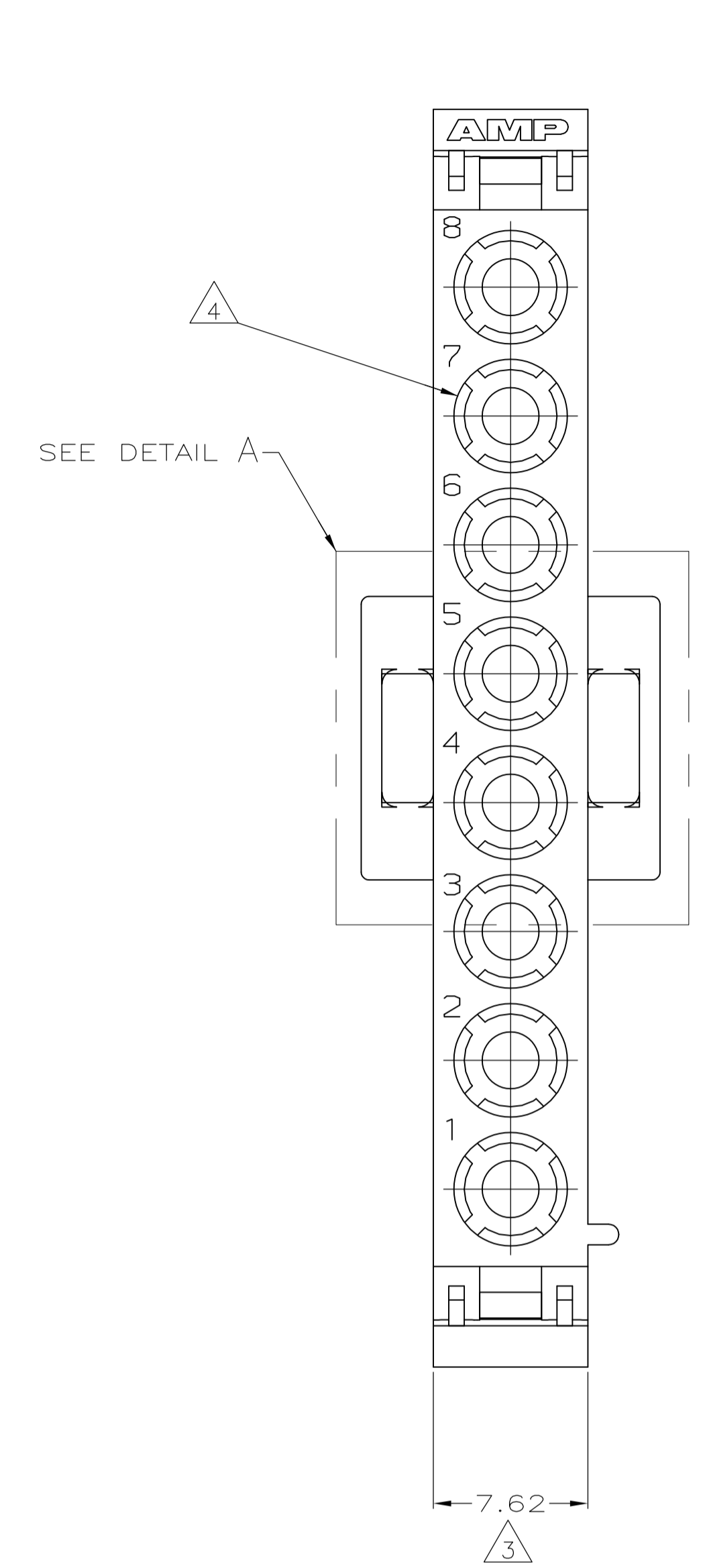
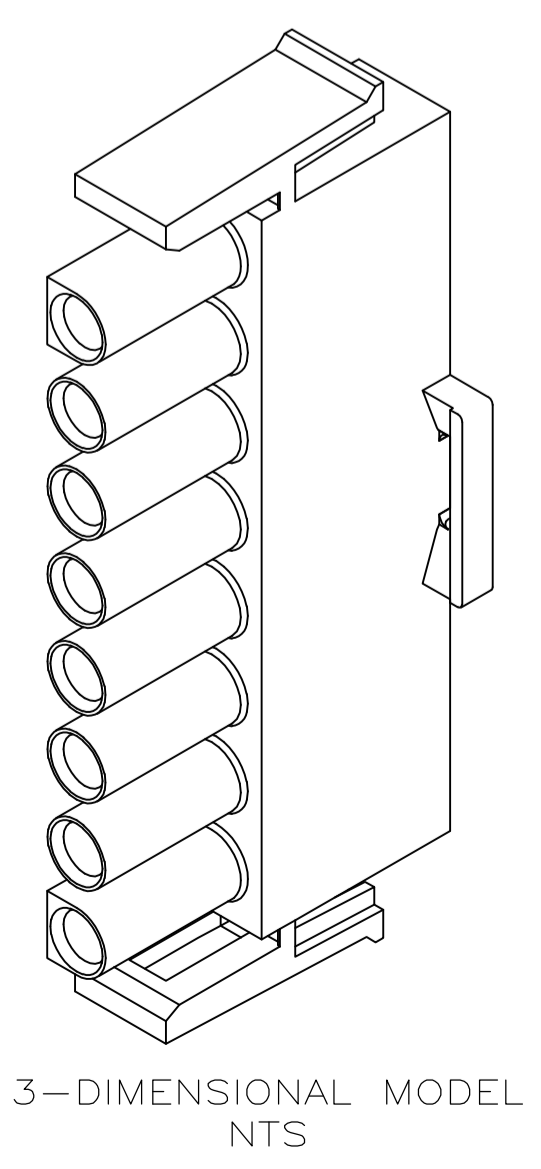
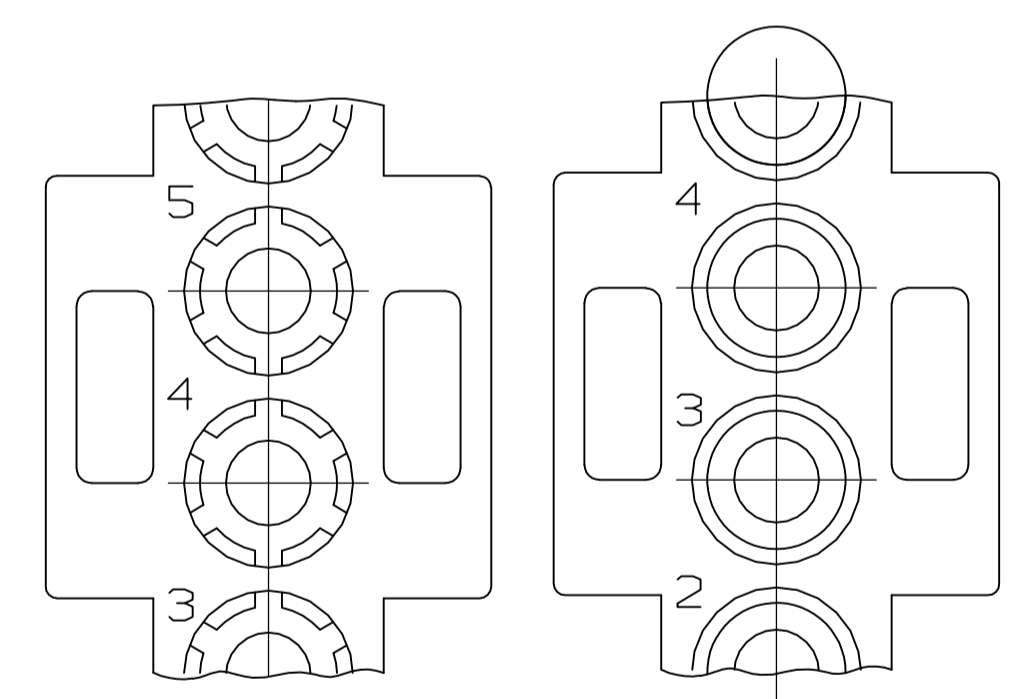


LOC		DIST		REVISIONS			
P	LTR	DESCRIPTION	DATE	DMN	APVD		
S		REVISED PER ECO-09-012783	29MAY09	HMR	MS		



- MATES WITH APPROPRIATE UNIVERSAL MATE-N-LOK™ CAP OR HEADER.
- SMALL NICKS ARE PERMITTED ON THE CIRCUIT TOWERS WHICH COULD INCREASE THE INITIAL HOUSING MATING FORCE BY UP TO 4.4 NEWTONS [1.0 LBS]. NO INDIVIDUAL NICKED TOWER SHALL INCREASE THIS FORCE BY OVER 2.2 NEWTONS [.5 LBS].
- DIMENSION INDICATED IS AS MOLDED. ADDITIONAL GROWTH DUE TO SUBSEQUENT MOISTURE ABSORPTION MAY OCCUR.
- FOUR RIBS EQUALLY SPACED, NO SPECIFIC ORIENTATION. NO RIBS OR SIX RIBS EQUALLY SPACED, NO SPECIFIC ORIENTATION, OPTIONAL.
- UNDERWRITERS RECOGNIZED COMPONENT LOGO AND CSA CERTIFICATION LOGO TO BE LOCATED ONCE EACH ON SIDE OF HOUSING.



DIMENSIONS:	TOLERANCES UNLESS OTHERWISE SPECIFIED:
INCHES	
52.07	± 2.050
27.43	± 1.080
14.73	± .580
11.68	± .460
7.62	± .300
0.38	± .015
0.13	± .005
MM	IN

CONVERSION TABLE

THIS DRAWING IS A CONTROLLED DOCUMENT.

DIN K WHITAKER 2-28-92	Tyco Electronics Corporation Harrisburg, PA 17105-3608
CHK R SWING 2-28-92	
APVD D SELF 3-5-92	NAME
PRODUCT SPEC	PLUG, 8 CIRCUIT, UNIVERSAL MATE-N-LOK™
APPLICATION SPEC	SIZE CAGE CODE DRAWING NO
WEIGHT	A1 00779 C=640586
MATERIAL NYLON, UL94V-2 NYLON	FINISH
RESTRICTED TO	CUSTOMER DRAWING

SCALE 4:1 SHEET 1 OF 1 REV S

640586-1
PART NO