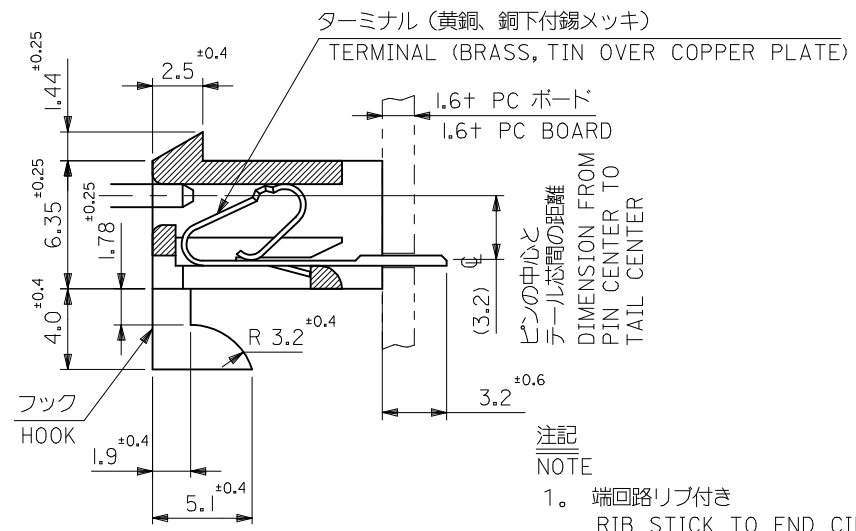
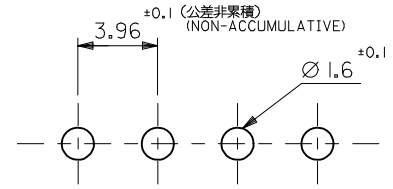
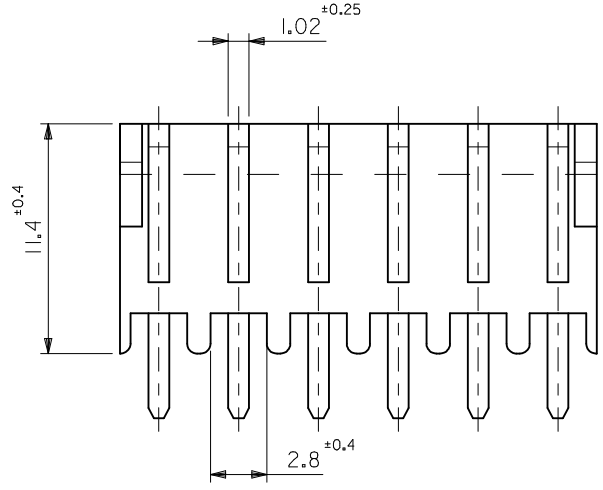


ハウジング (ナイロン66、UL 94V-2)
HOUSING (NYLON 66, UL94V-2)



- 注記
NOTE
1. 端回路リブ付き
RIB STICK TO END CIRCUIT
 2. () 内寸法は参考値とする。
() DIMENSION IS FOR REFERENCE



基板取付穴推奨寸法
RECOMMENDED PC BOARD HOLE DIMENSION

4と5の間 BETWEEN 4 AND 5	43.56 ^{+0.25}	47.42	26-01-1129	5145-12CH	12
5と6の間 BETWEEN 5 AND 6	35.64 ^{+0.25}	39.5	↑ -1109	↑ -10CH	10
4と5の間 BETWEEN 4 AND 5	31.68 ^{+0.2}	35.54	-1099	-09CH	9
4と5の間 BETWEEN 4 AND 5	27.72 ^{+0.2}	31.58	-1089	-08CH	8
—	23.76 ^{+0.2}	27.62	-1079	-07CH	7
—	19.8 ^{+0.2}	23.66	-1069	-06CH	6
—	15.84 ^{+0.15}	19.7	-1059	-05CH	5
—	11.88 ^{+0.15}	15.74	-1049	-04CH	4
—	7.92 ^{+0.15}	11.78	↓ -1039	↓ -03CH	3
—	3.96 ^{+0.1}	7.82	26-01-1029	5145-02CH	2
中央フック位置 CENTER HOOK	B	(A)	PART NO.	MATERIAL NO.	種数 NO. OF CKTS.

材料ハウジング:ナイロン66、UL 94V-2
MATERIAL HOUSING:NYLON 66, UL94V-2
ターミナル:黄銅、銅下付錫メッキ 0.254±
TERMINAL:BRASS, TIN OVER COPPER PLATE 0.254±

REVISED EC NO: J2009-0510 DRWN:NAKAMURA 2008/12/08 CHKD:T. HARUYAMA 2008/12/08 APPR:NUKITA 2009/01/13	GENERAL TOLERANCES (UNLESS SPECIFIED)		DIMENSION STYLE MM ONLY	SCALE 4:1	DESIGN UNITS METRIC	MODEL NO. 5145-NCH
	10 UNDER	± ---	DRAWN BY S. ANDO	DATE '96/5/24	TITLE KK3.96 SOLDER REC HSG ASSY	THIRD ANGLE PROJECTION
	10 OVER 30 UNDER	± ---	CHECKED BY M. FUKUSHIMA	DATE '96/5/24	MATERIAL NO.	
	30 OVER	± ---	APPROVED BY M. ENOMOTO	DATE '96/5/24	DOCUMENT NO.	SHEET NO. 1 OF 1
ANGULAR ± --- °		DRAFT WHERE APPLICABLE MUST REMAIN WITHIN DIMENSIONS		SEE TABLE		