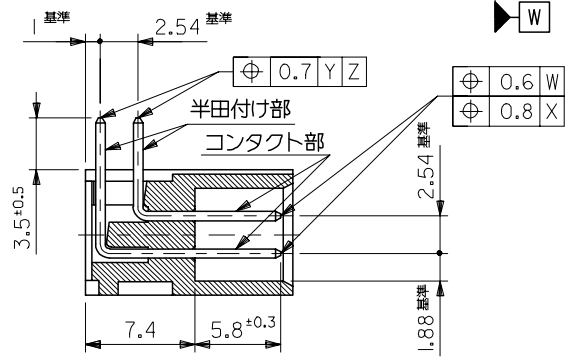
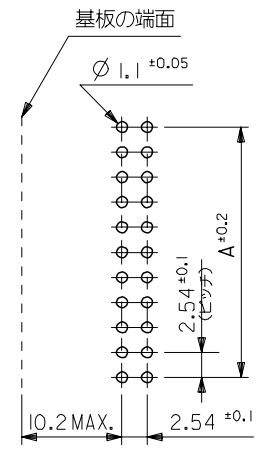
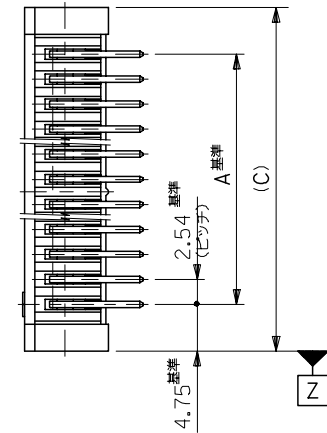
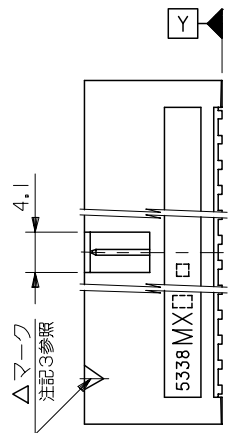
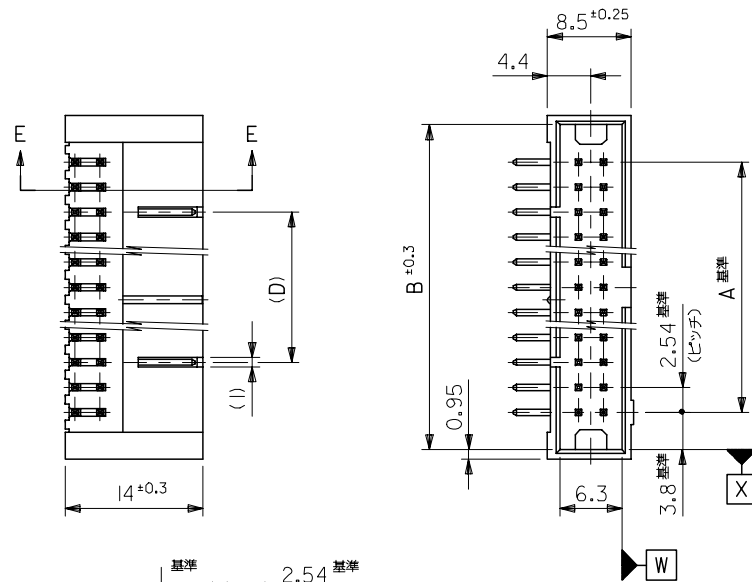


10 9 8 7 6 5 4 3 2 1

F
E
D
C
B
A

F
E
D
C
B
A



SECT. E-E (SCALE 3-1)

注記

- 材料 ウエハー : ガラス繊維 15% 入り PBTP (UL94V-0), 黒色
ピン : 黄銅, サイズ □0.635
- 嵌合相手 : 5320 シリーズ
- 使用符号の説明

5342 - N *
 ベースナンバー _____
 極数 _____
 ピンのメッキコード _____

コード*	△マークの色	コンタクト部	半田付け部	下地メッキ
GS1	黄	金 0.1μm MIN.	半田 3μm MIN.	ニッケル 1μm MIN.
LEAD-FREE GS17F	黄	金 0.1μm MIN.	錫 1μm MIN.	ニッケル 1μm MIN.
LEAD-FREE T2	黒		錫 1μm MIN.	ニッケル 0.5μm MIN.

60	73.66	81.26	83.16	63.50
50	60.96	68.56	70.46	50.80
40	48.26	55.86	57.76	38.10
34	40.64	48.24	50.14	30.48
30	35.56	43.16	45.06	25.40
26	30.48	38.08	39.98	—
20	22.86	30.46	32.36	—
16	17.78	25.38	27.28	—
14	15.24	22.84	24.74	—
10	10.16	17.76	19.66	—
極数	A 寸法	B 寸法	C 寸法	D 寸法

REVISED EC NO: J2006-0712 DRWN: YANAGI MOTO 2005/10/03 CHKD: TANAKA 2005/10/06 APPR: NUKITA 2005/10/14	GENERAL TOLERANCES (UNLESS SPECIFIED)		DIMENSION STYLE MM ONLY		SCALE 2:1	DESIGN UNITS METRIC	THIRD ANGLE PROJECTION
	10 UNDER	±0.2	DRAWN BY H. HIRAMOTO	DATE 1990/06/19	TITLE QIK FLECS WAFER ASSY RA		
	10 OVER 30 UNDER	±0.25	CHECKED BY M. SASAO	DATE			
	30 OVER	±0.3	APPROVED BY H. IKESUGI	DATE	MOLEX INCORPORATED		
	ANGULAR ±3°	DRAFT WHERE APPLICABLE MUST REMAIN WITHIN DIMENSIONS	MATERIAL NO. SEE SHEET 2 OF 2	DOCUMENT NO. SD-5342-001	SHEET NO. 1 OF 2		
			THIS DRAWING CONTAINS INFORMATION THAT IS PROPRIETARY TO MOLEX INCORPORATED AND SHOULD NOT BE USED WITHOUT WRITTEN PERMISSION				

10 9 8 7 6 5 4 3 2 1

F

F

E

E

D

D

C

C

B


B

A

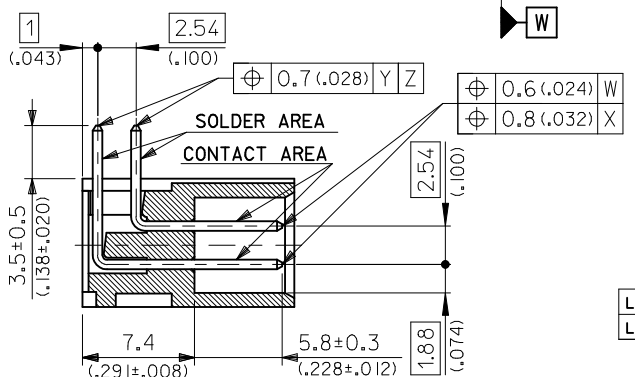
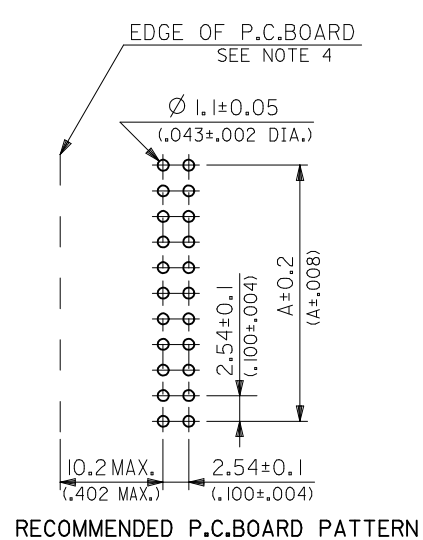
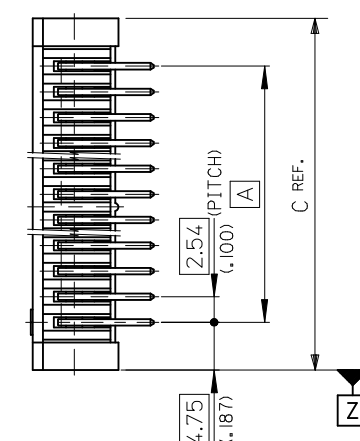
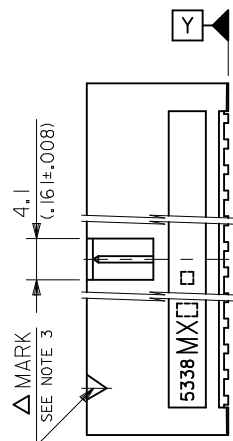
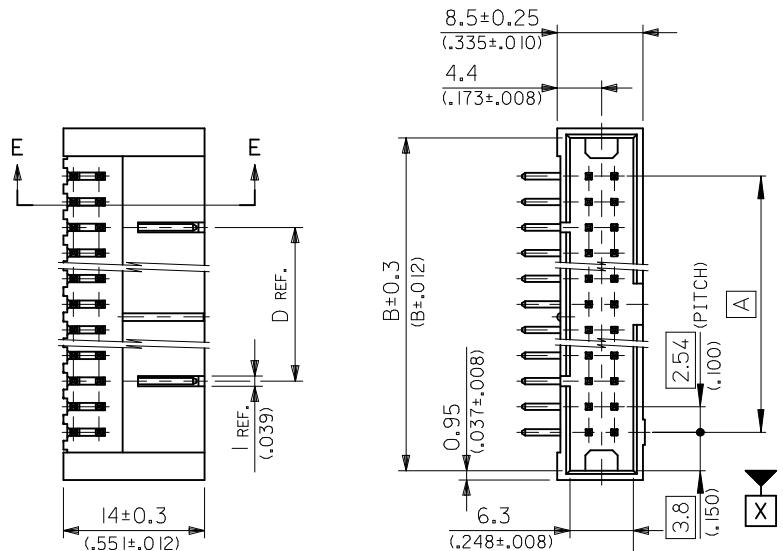
A

		60
		50
		40
39-28-5344	5342-34T2	34
▲ -5304	▲ -30T2	30
-5264	-26T2	26
-5204	-20T2	20
-5164	-16T2	16
▼ -5144	▼ -14T2	14
39-28-5104	5342-10T2	10
EDP NO.	ENG. NO.	極数
5342-NT2	-LEAD FREE-	

39-53-7604	5342-60GS17F	39-26-7608	5342-60GS1	60
▲ -7504	▲ -50GS17F	▲ -7508	▲ -50GS1	50
-7404	-40GS17F	-7408	-40GS1	40
-7344	-34GS17F	-7348	-34GS1	34
-7304	-30GS17F	-7308	-30GS1	30
-7264	-26GS17F	-7268	-26GS1	26
-7204	-20GS17F	-7208	-20GS1	20
-7164	-16GS17F	-7168	-16GS1	16
▼ -7144	▼ -14GS17F	▼ -7148	▼ -14GS1	14
39-53-7104	5342-10GS17F	39-26-7108	5342-10GS1	10
EDP NO.	ENG. NO.	EDP NO.	ENG. NO.	極数
5342-NGS17F	-LEAD FREE-	5342-NGS1		

REVISED EC NO: J2006-0712 DRWN: YANAGI MOTO 2005/10/03 CHKD: TANAKA 2005/10/06 APPR: NUKITA 2005/10/14	GENERAL TOLERANCES (UNLESS SPECIFIED)		DIMENSION STYLE MM ONLY		SCALE 2:1	DESIGN UNITS METRIC	THIRD ANGLE PROJECTION		
	10 UNDER	± 0.2	DRAWN BY H. HIRAMOTO		DATE 1990-09-19	TITLE QIK FLECS WAFER ASSY RA			
	10 OVER 30 UNDER	± 0.25	CHECKED BY M. SASAO		DATE	 MOLEX INCORPORATED			
	30 OVER	± 0.3	APPROVED BY H. IKESUGI		DATE				
	ANGULAR	± 3 °	MATERIAL NO.		DOCUMENT NO.	SHEET NO.			
DRAFT WHERE APPLICABLE MUST REMAIN WITHIN DIMENSIONS		SEE CHART		SD-5342-001		2 OF 2			

THIS DRAWING CONTAINS INFORMATION THAT IS PROPRIETARY TO MOLEX INCORPORATED AND SHOULD NOT BE USED WITHOUT WRITTEN PERMISSION



NOTES

- MATERIAL WAFER : G.F. 15% PBT (UL94V-0), COLOR---BLACK
PINS : BRASS, SIZE--- □0.635(.025 SQ.)
- MATES WITH MOLEX CONNECTOR SERIES OF 5320.
- LEGEND
5342 - N *
BASE NUMBER _____
CIRCUIT SIZE _____
PLATING CODE OF PIN _____

4. 10.2(.402) MAX. TO EDGE OF P.C. BOARD FOR DAISY CHAIN APPLICATION.

	CODE:*	△ MARK COLOR	CONTACT AREA	SOLDER AREA	UNDER PLATE
LEAD-FREE	GS17F	YELLOW	GOLD 0.1 μm(.000004) MIN.	TIN 1 μm(.00004) MIN.	NICKEL 1 μm(.00004) MIN.
LEAD-FREE	T2	BLACK	TIN 1 μm(.00004) MIN.		NICKEL 0.5 μm(.00002) MIN.

SECT. E-E (SCALE 3:1)

60	73.66 (2.900)	81.26 (3.200)	83.16 (3.274)	63.50 (2.500)
50	60.96 (2.400)	68.56 (2.700)	70.46 (2.774)	50.80 (2.000)
40	48.26 (1.900)	55.86 (2.200)	57.76 (2.274)	38.10 (1.500)
36	43.18 (1.700)	50.78 (2.000)	52.68 (2.074)	33.02 (1.300)
34	40.64 (1.600)	48.24 (1.900)	50.14 (1.974)	30.48 (1.200)
30	35.56 (1.400)	43.16 (1.700)	45.06 (1.774)	25.40 (1.000)
26	30.48 (1.200)	38.08 (1.500)	39.98 (1.574)	— # —
20	22.86 (.900)	30.46 (1.200)	32.36 (1.274)	— # —
16	17.78 (.700)	25.38 (1.000)	27.28 (1.074)	— # —
14	15.24 (.600)	22.84 (.900)	24.74 (.974)	— # —
10	10.16 (.400)	17.76 (.700)	19.66 (.774)	— # —
NO. OF CKTS.	DIM. A	DIM. B	DIM. C	DIM. D

REVISED EC NO: J2009-2013 DRWN: MABEI 2009/03/12 CHKD: THARUYAMA 2009/03/13 APPR: NUKITA 2009/03/16 K REV DESCRIPTION	GENERAL TOLERANCES (UNLESS SPECIFIED)		DIMENSION STYLE MM/IN	SCALE 2:1	DESIGN UNITS METRIC	THIRD ANGLE PROJECTION	
	10 UNDER ±0.2 10 OVER 30 UNDER ±0.25 30 OVER ±0.3	DRAWN BY H. HIRAMOTO	DATE 1989/08/21	TITLE QIK FLECS WAFER ASSY RA			
	ANGULAR ±3 ° DRAFT WHERE APPLICABLE MUST REMAIN WITHIN DIMENSIONS	CHECKED BY M. SASAO	DATE	MOLEX INCORPORATED			
	SEE SHEET 2	APPROVED BY H. IKESUGI	DATE	MATERIAL NO.	DOCUMENT NO. SD-5342-002	SHEET NO. 1 OF 2	

10 9 8 7 6 5 4 3 2 1

F

F

E

E

D

D

C

C

B

B

A

A

—#—	—#—	39-53-7504	5342-50GS17F	50
—#—	—#—	↑ -7404	↑ -40GS17F	40
—#—	—#—	—#—	—#—	36
39-28-5344	5342-34T2	—#—	—#—	34
↑ -5304	↑ -30T2	-7304	-30GS17F	30
-5264	-26T2	-7264	-26GS17F	26
-5204	-20T2	-7204	-20GS17F	20
↓ -5164	↓ -16T2	-7164	-16GS17F	16
↓ -5144	↓ -14T2	↓ —#—	↓ —#—	14
39-28-5104	5342-10T2	39-53-7104	5342-10GS17F	10
EDP NO.	ENG. NO.	EDP NO.	ENG. NO.	NO. OF
5342-NT2		5342-NGS17F		CKTS.

REVISED EC NO: J2009-2013 DRWN: MABEL 2009/03/12 CHKD: THARUYAMA 2009/03/13 APPR: NUKITA 2009/03/16	GENERAL TOLERANCES (UNLESS SPECIFIED)		DIMENSION STYLE MM/IN		SCALE 2:1	DESIGN UNITS METRIC		THIRD ANGLE PROJECTION	
	10 UNDER	± 0.2	DRAWN BY H. HIRAMOTO		DATE 1989/08/21		TITLE QIK FLECS WAFER ASSY RA		
	10 OVER 30 UNDER	± 0.25	CHECKED BY M. SASAO		DATE		MOLEX INCORPORATED		
	30 OVER	± 0.3	APPROVED BY H. IKESUGI		DATE				
	ANGULAR ± 3 °		MATERIAL NO.		DOCUMENT NO.		SHEET NO.		
DRAFT WHERE APPLICABLE MUST REMAIN WITHIN DIMENSIONS		SEE TABLE		SD-5342-002		2 OF 2			

THIS DRAWING CONTAINS INFORMATION THAT IS PROPRIETARY TO MOLEX INCORPORATED AND SHOULD NOT BE USED WITHOUT WRITTEN PERMISSION