

注) NOTES

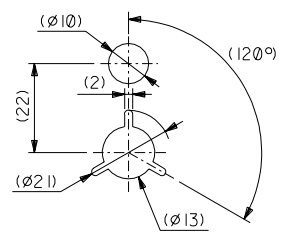
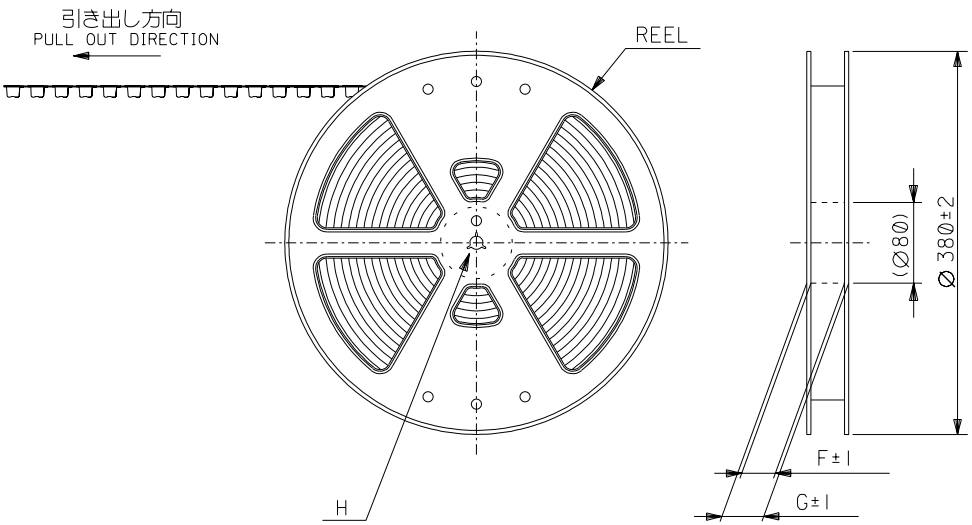
- 材質 MATERIAL  
ハウジング: ガラス入りLCP, 白色, UL94V-0  
HOUSING: LIQUID CRYSTAL POLYMER, GLASS FILLED, WHITE, UL94V-0  
ターミナル: 銅合金 (t=0.2)  
TERMINAL: COPPER ALLOY  
補強金具: 銅合金 (t=0.25)  
FITTING NAIL: COPPER ALLOY
- メッキ仕様 PLATING  
ターミナル: 接点部: 金メッキ 0.25 μmMIN.  
CONTACT AREA: GOLD 0.25 MICROMETER MINIMUM  
半田付け部: 錫メッキ 2.0 μmMIN.  
SOLDER TAIL AREA: TIN 2.0 MICROMETER MINIMUM  
下地メッキ: ニッケルメッキ 2.0 μmMIN.  
UNDER-PLATING: NICKEL 2.0 MICROMETER MINIMUM  
補強金具: 錫メッキ 1.0 μmMIN.  
FITTING NAIL: TIN 1.0 MICROMETER MINIMUM  
下地メッキ: ニッケルメッキ 1.0 μmMIN.  
UNDER-PLATING: NICKEL 1.0 MICROMETER MINIMUM
- テールのバラツキ寸法  
TAIL COPLANARITY  
テール及び金具の平坦度は、0.1以下とする。  
TAIL AND FITTING NAIL COPLANARITY TO BE 0.1 MAXIMUM.
- エンボス対応済みの極数については、SD-52760-014を参照下さい。  
FOR THE EMBOSSED PACKAGE PRODUCTS, SEE SD-52760-014.

5. 本製品は52760-\*\*\*0の鉛フリー品である。  
THIS PRODUCT IS LEAD FREE OF 52760-\*\*\*0.

10 mm	53553 SERIES
9 mm	53552 SERIES
8 mm	53551 SERIES
7 mm	53481 SERIES
6 mm	53467 SERIES
5 mm	53475 SERIES
基板間寸法	嵌合相手
STACKING HEIGHT	TO BE MATED WITH

無し NO	80.47	84.07	78.87	75.565	→	52760-2479	52760-2470	240	—
	67.77	71.37	66.17	62.865	→	-2079	-2070	200	○
	61.42	65.02	59.82	56.515	→	-1879	-1870	180	○
	55.07	58.67	53.47	50.165	→	-1679	-1670	160	○
	48.72	52.32	47.12	43.815	→	-1479	-1470	140	○
	42.37	45.97	40.77	37.465	→	-1279	-1270	120	○
	36.02	39.62	34.42	31.115	52760-1078	-1079	-1070	100	○
	32.85	36.45	31.25	27.94	↑ -0978	-0979	-0970	90	○
	29.67	33.27	28.07	24.765	-0878	-0879	-0870	80	○
	26.5	30.1	24.9	21.59	-0778	-0779	-0770	70	○
有り YES	25.86	29.43	24.26	20.955	-6878	-6879	-6870	68	○
	23.32	26.92	21.72	18.415	-0678	-0679	-0670	60	○
	20.15	23.75	18.55	15.24	-0578	-0579	-0570	50	○
	16.97	20.57	15.37	12.065	-0478	-0479	-0470	40	○
13.8	17.4	12.2	8.89	↓ -0378	-0379	-0370	30	○	
10.62	14.22	9.02	5.715	52760-0278	52760-0279	52760-0270	20	○	
ハウジングロック HSG LOCK	D	C	B	A	エンボス梱包 EMBOSSED PACKAGING	スティック梱包 STICK PACKAGING	製品番号 MATERIAL NO.	極数 CKT. NO.	製造所 AVAILABLE

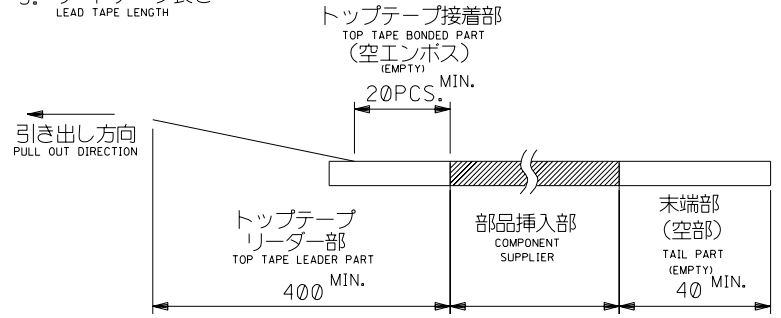
REVISED EC NO: J2007-0439 DR: W/NABEI CHK: K/TYOODA APPR: NUKITA	DESCRIPTION 2006/08/22 2006/08/25 2006/09/05	GENERAL TOLERANCES (UNLESS SPECIFIED)		DIMENSION STYLE MM ONLY		SCALE ---	DESIGN UNIT'S METRIC	MODEL NO. 52760-***70	
		10 UNDER	± 0.2	DRAWN BY Y. WADA	DATE '04/02/26	TITLE 0.635 PITCH B-T0-B S/T REC. HSG ASSY -LEAD FREE-			
		10 OVER 30 UNDER	± 0.25	CHECKED BY M. SASAO	DATE '04/02/26	MOLEX INCORPORATED			
		30 OVER	± 0.3	APPROVED BY M. SASAO	DATE '04/02/26	DOCUMENT NO. SD-52760-013			
		ANGULAR	± 3 °	MATERIAL NO. SEE CHART		SHEET NO. 1 OF 1			
DRAFT WHERE APPLICABLE MUST REMAIN WITHIN DIMENSIONS		SIZE A3		THIS DRAWING CONTAINS INFORMATION THAT IS PROPRIETARY TO MOLEX INCORPORATED AND SHOULD NOT BE USED WITHOUT WRITTEN PERMISSION					



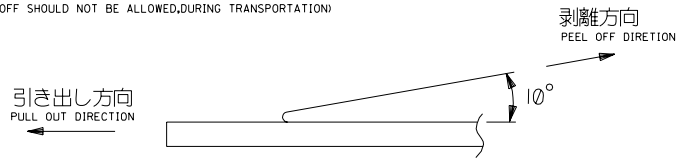
DETAIL H

注) NOTES

- 製品番号52760-\*\*\*70の詳細寸法については、SD-52760-013を参照下さい。  
IN THE PACKAGE, PART NO. 52760-\*\*\*70 DETAILED DIMENSIONS, SEE SD-52760-013.
- 梱包数量 : 1000個/リール  
NUMBER OF CONNECTORS : 1000 PCS/REEL
- リードテープ長さ  
LEAD TAPE LENGTH



- トップテープの剥離強度 : (剥離方向は下図参照)  
PEELING OFF FORCE OF TOP TAPE (PEELING DIRECTION AS SHOWN IN FOLLOWING FIG.)  
0.1N~1.3N {10gf~130gf}  
尚、本規格値は、出荷時に適用。  
THIS REQUIREMENT SHOULD BE APPLIED AT SHIPMENT  
(但し、輸送時に剥離が発生しない事。)  
(PEEL OFF SHOULD NOT BE ALLOWED, DURING TRANSPORTATION)



- 材料  
MATERIAL  
キャリアテープ : ポリプロピレン (PP)  
CARRIER TAPE : POLYPROPYLENE (PP)  
トップテープ : PET, PE, PEF  
TOP TAPE : PET, PE, PEF  
リール : ポリスチレン  
REEL : POLYSTYRENE

- 本製品は52760-\*\*\*8の鉛フリー品である。  
THIS PRODUCT IS LEAD FREE OF 52760-\*\*\*8.

EC NO. DRWN: CH'K: APPR:		EC NO. DRWN: CH'K: APPR:		EC NO. DRWN: CH'K: APPR:		EC NO. DRWN: CH'K: APPR:		EC NO. J2004-2690 DRWN: Y.WADA '04/02/26 CH'K: M.SASAO '04/02/26 APPR: M.SASAO '04/02/26 RELEASED		MATERIAL 材料 注) 参照 SEE NOTES		GENERAL TOLERANCES: (UNLESS SPECIFIED) 一般公差		SCALE #		MODEL NO. 52760-***78		DIMENSIONS: SHT REV			
										FINISH 仕上げ 注) 参照 SEE NOTES		10 UNDER 未満 ±0.2 10 OVER 以上 30 UNDER 未満 ±0.25 30 OVER 以上 ±0.3		DRAWN BY & DATE Y.WADA '04/02/26		DESIGN UNITS <input checked="" type="checkbox"/> mm <input type="checkbox"/> INCH THIRD ANGLE PROJECTION		TITLE: 52760-***70 TAPING PACKAGE -LEAD FREE-			
										WIRE RANGE 適用電線範囲 #		ANGLE 角度 ±3°		CAD FILENAME SD-52760-014.S01		MATERIAL NO. SEE CHART		DRAWING NO. SD-52760-014		SHEET NO. 1 OF 2	
										INS. RANGE 被覆外径 #				MOLEX MOLEX INCORPORATED		THIS DRAWING CONTAINS INFORMATION THAT IS PROPRIETARY TO MOLEX INCORPORATED AND SHOULD NOT BE USED WITHOUT WRITTEN PERMISSION.		SIZE B			

8

7

6

5

4

3

2

1

F

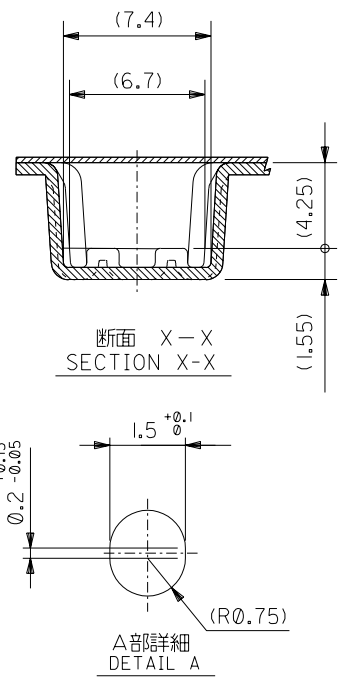
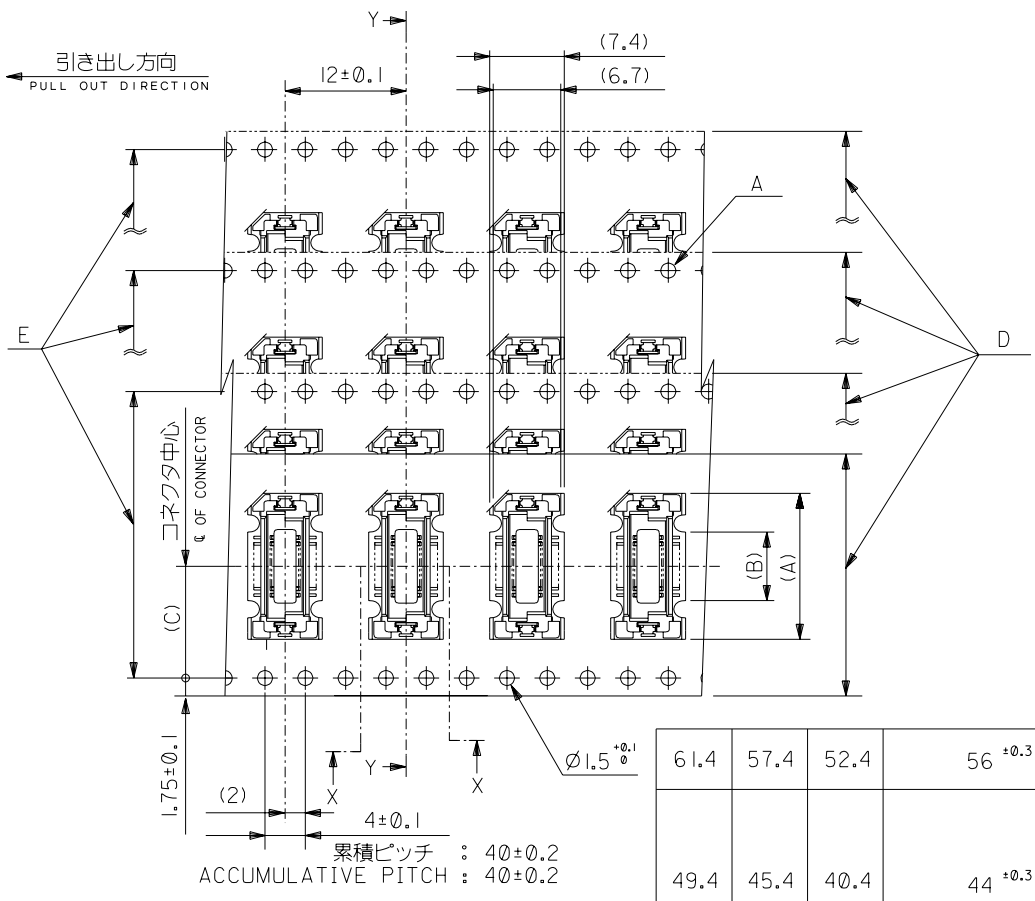
E

D

C

B

A



61.4	57.4	52.4	56 <sup>+0.3</sup>	26.2	32.2	39.9	52760-1078	100	—
					29.1	36.8	-0978	90	—
					25.9	33.6	-0878	80	○
					22.7	30.4	-0778	70	○
					22.1	29.8	-6878	68	○
					19.5	27.2	-0678	60	○
					16.4	24.1	-0578	50	○
					13.2	20.9	-0478	40	○
					10.0	17.7	-0378	30	○
29.4	25.4	—	24 <sup>+0.3</sup>	11.5	6.8	14.5	52760-0278	20	—
G	F	E	D	C	(B)	(A)	MATERIAL NO.	極数 CKT.NO.	量産対応 AVAILABLE

EC NO. DRWN: CHK: APPR:	EC NO. DRWN: CHK: APPR:	EC NO. DRWN: CHK: APPR:	EC NO. DRWN: CHK: APPR:	EC NO. DRWN: CHK: APPR:	RELEASED EC NO. J2004-2690 DRWN: Y.WADA '04/02/26 CHK: M.SASAO '04/02/26 APPR: M.SASAO '04/02/26	MATERIAL 材料	注 参照 SEE NOTES	GENERAL TOLERANCES: (UNLESS SPECIFIED) — 公差	SCALE — #	MODEL NO. DESIGN UNITS <input checked="" type="checkbox"/> mm <input type="checkbox"/> INCH	52760-***78		DIMENSIONS: <input type="checkbox"/> mm <input type="checkbox"/> INCH <input checked="" type="checkbox"/> mm ONLY		SHT	REV
						FINISH 仕上げ					注 参照 SEE NOTES	DRAWN BY & DATE Y.WADA '04/02/26	TITLE: 52760-***70 TAPING PACKAGE -LEAD FREE-	REVISION CAD ONLY		
					0	WIRE RANGE 適用電線範囲	—	10 UNDER 未滿	±0.2	DRAWN BY & DATE Y.WADA '04/02/26	MATERIAL NO. SD-52760-014.S02					
						INS. RANGE 被覆外径	—	10 OVER 30 UNDER 以上 未滿	±0.25	CHECKED BY & DATE M.SASAO '04/02/26	DRAWING NO. SD-52760-014					
								30 OVER 以上	±0.3	APPROVED BY & DATE M.SASAO '04/02/26	SHEET NO. 2					
								ANGLE 角度	±3°	CAD FILENAME SD-52760-014.S02	THIS DRAWING CONTAINS INFORMATION THAT IS PROPRIETARY TO MOLEX INCORPORATED AND SHOULD NOT BE USED WITHOUT WRITTEN PERMISSION.					

8

7

6

5

4

3

2