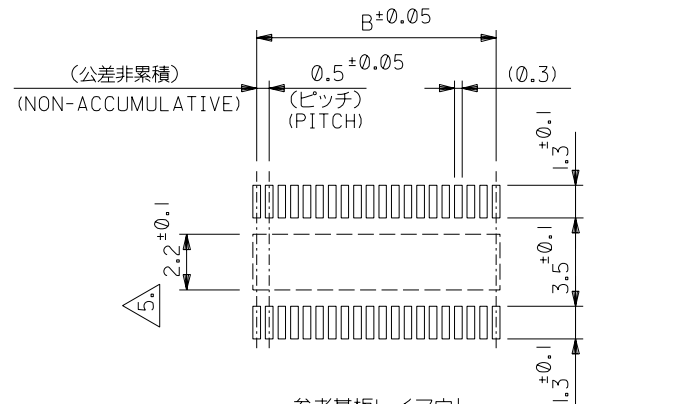
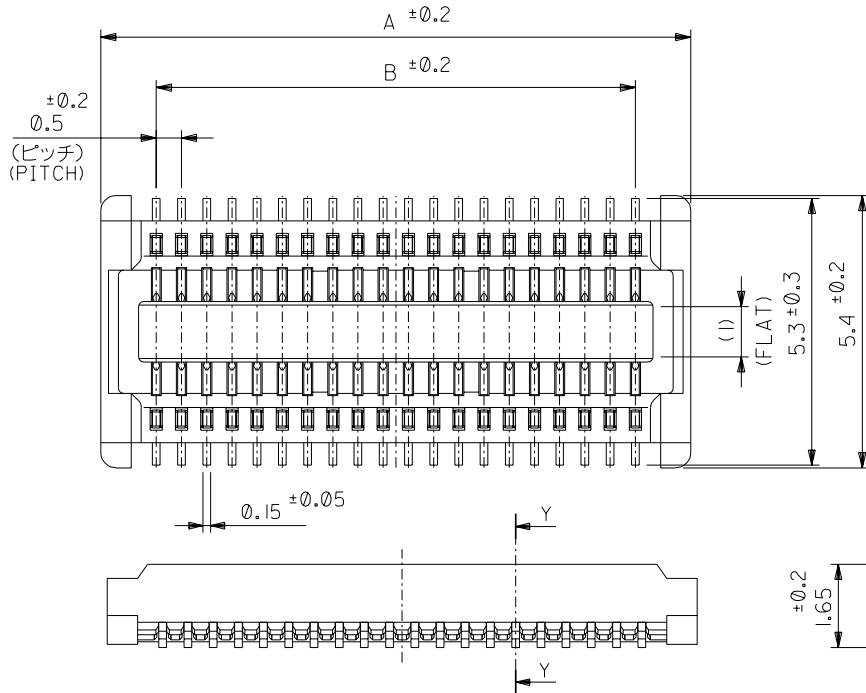
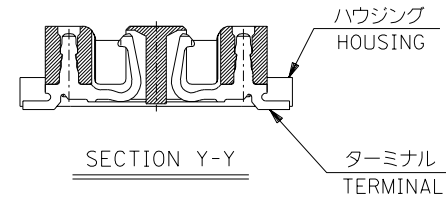


DWG. NO.
SD-54729-011



参考基板レイアウト
REFERENCE USE ONLY P.C.BOARD PATTERN LAYOUT



注記 NOTES

1. 材質 MATERIAL

ハウジング : 液晶ポリマーガラス充填、黒色、UL94V-0
HOUSING : LIQUID CRYSTAL POLYMER GLASS FILLED
COLOR BLACK, UL94V-0
ターミナル : 燐青銅 (t=0.15)
TERMINAL : PHOSPHOR BRONZE (t=0.15)

2. メッキ仕様 PLATING

金メッキ 0.1マイクロメートル以上。(コンタクト部)
GOLD 0.1 MICROMETER MINIMUM (CONTACT AREA)
金メッキ 0.4マイクロメートル以下。(テール部)
GOLD 0.4 MICROMETER MAXIMUM (TAIL AREA)
下地メッキ : ニッケルメッキ 1.5マイクロメートル以上。
UNDER-PLATING : NICKEL 1.5 MICROMETER MINIMUM

*コンタクト部とテール部はニッケルメッキによって分断されている金メッキです。
DIVIDE INTO PARTS THE GOLD PLATING OF THE CONTACT AND THE TAIL PART BY THE NICKEL PLATING.

3. 嵌合相手 : 55559 シリーズ
MATES WITH : 55559 SERIES

4. テール平坦度は 0.1以下。
TAIL COPLANARITY TO BE 0.1 MAXIMUM

5. パターン書き込み禁止エリア
NO FOOT PRINT AREA.

無鉛
LEAD FREE

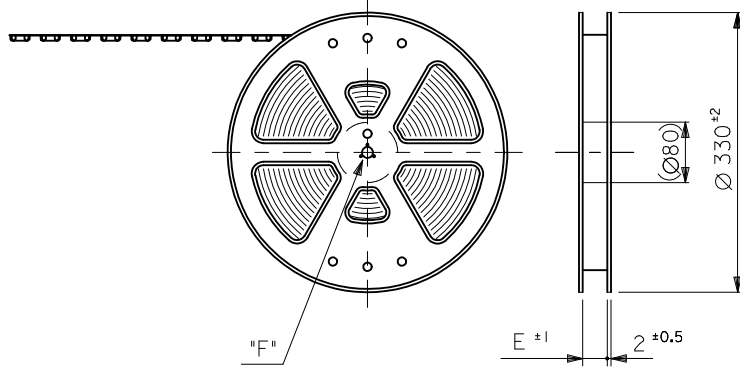
5.5	7.7	54729-0245	24
3.5	5.7	54729-0165	16
B	A	MATERIAL NO.	CKT. NO.

EC NO. DRWN: CH'K: APPR:		EC NO. DRWN: CH'K: APPR:		EC NO. DRWN: CH'K: APPR:		EC NO. DRWN: CH'K: APPR:		EC NO. DRWN: CH'K: APPR:		EC NO. DRWN: CH'K: APPR:		EC NO. DRWN: CH'K: APPR:		EC NO. DRWN: CH'K: APPR:		EC NO. DRWN: CH'K: APPR:		EC NO. DRWN: CH'K: APPR:		EC NO. DRWN: CH'K: APPR:		EC NO. DRWN: CH'K: APPR:		EC NO. DRWN: CH'K: APPR:		EC NO. DRWN: CH'K: APPR:		EC NO. DRWN: CH'K: APPR:		EC NO. DRWN: CH'K: APPR:		EC NO. DRWN: CH'K: APPR:		EC NO. DRWN: CH'K: APPR:		EC NO. DRWN: CH'K: APPR:			
0		0		0		0		0		0		0		0		0		0		0		0		0		0		0		0		0		0		0		0	
0		0		0		0		0		0		0		0		0		0		0		0		0		0		0		0		0		0		0		0	
0		0		0		0		0		0		0		0		0		0		0		0		0		0		0		0		0		0		0		0	
0		0		0		0		0		0		0		0		0		0		0		0		0		0		0		0		0		0		0		0	
0		0		0		0		0		0		0		0		0		0		0		0		0		0		0		0		0		0		0		0	
0		0		0		0		0		0		0		0		0		0		0		0		0		0		0		0		0		0		0		0	
0		0		0		0		0		0		0		0		0		0		0		0		0		0		0		0		0		0		0		0	
0		0		0		0		0		0		0		0		0		0		0		0		0		0		0		0		0		0		0		0	
0		0		0		0		0		0		0		0		0		0		0		0		0		0		0		0		0		0		0		0	
0		0		0		0		0		0		0		0		0		0		0		0		0		0		0		0		0		0		0		0	
0		0		0		0		0		0		0		0		0		0		0		0		0		0		0		0		0		0		0		0	
0		0		0		0		0		0		0		0		0		0		0		0		0		0		0		0		0		0		0		0	
0		0		0		0		0		0		0		0		0		0		0		0		0		0		0		0		0		0		0		0	
0		0		0		0		0		0		0		0		0		0		0		0		0		0		0		0		0		0		0		0	
0		0		0		0		0		0		0		0		0		0		0		0		0		0		0		0		0		0		0		0	
0		0		0		0		0		0		0		0		0		0		0		0		0		0		0		0		0		0		0		0	
0		0		0		0		0		0		0		0		0		0		0		0		0		0		0		0		0		0		0		0	
0		0		0		0		0		0		0		0		0		0		0		0		0		0		0		0		0		0		0		0	
0		0		0		0		0		0		0		0		0		0		0		0		0		0		0		0		0		0		0		0	
0		0		0		0		0		0		0		0		0		0		0		0		0		0		0		0		0		0		0		0	
0		0		0		0		0		0		0		0		0		0		0		0		0		0		0		0		0		0		0		0	
0		0		0		0		0		0		0		0		0		0		0		0		0		0		0		0		0		0		0		0	
0		0		0		0		0		0		0		0		0		0		0		0		0		0		0		0		0		0		0		0	
0		0		0		0		0		0		0		0		0		0		0		0		0		0		0		0		0		0		0		0	
0		0		0		0		0		0		0		0		0		0		0		0		0		0		0		0		0		0		0		0	
0		0		0		0		0		0		0		0		0		0		0		0		0		0		0		0		0		0		0		0	
0		0		0		0		0		0		0		0		0		0		0		0		0		0		0		0		0		0		0		0	
0		0		0		0		0		0		0		0		0		0		0		0		0		0		0		0		0		0		0		0	
0		0		0		0		0		0		0		0		0		0		0		0		0		0		0		0		0		0		0		0	
0		0		0		0		0		0		0		0		0		0		0		0		0		0		0		0		0		0		0		0	
0		0		0		0		0		0		0		0		0		0		0		0		0		0		0		0		0		0		0		0	
0		0		0		0		0		0		0		0		0		0		0		0		0		0		0		0		0		0		0		0	
0		0		0		0		0		0		0		0		0		0		0		0		0		0		0		0		0		0		0		0	
0		0		0		0		0		0		0		0		0		0		0		0		0		0		0		0		0		0		0		0	
0		0		0		0		0		0		0		0		0		0		0		0		0		0		0		0		0		0		0		0	
0		0		0		0		0		0		0		0		0		0		0		0		0		0		0		0		0		0		0		0	
0		0		0		0		0		0		0		0		0		0		0		0		0		0		0		0		0		0		0		0	
0		0		0		0		0		0		0		0		0		0		0		0		0		0		0		0		0		0		0		0	
0		0		0		0		0		0		0		0		0		0		0		0		0		0		0		0		0		0		0		0	
0		0		0		0		0		0		0		0		0		0		0		0		0		0		0		0		0		0		0		0	
0		0		0		0		0		0		0		0		0		0		0		0		0		0		0		0		0		0		0		0	
0		0		0		0		0		0		0		0		0		0		0		0		0		0		0		0		0		0		0		0	
0		0		0		0		0		0		0		0		0		0		0		0		0		0		0		0		0		0		0		0	
0		0		0		0		0		0		0		0		0		0		0		0		0		0		0		0		0		0		0		0	
0		0		0		0		0		0		0		0		0		0		0		0		0		0		0		0		0		0		0		0	
0		0		0		0		0		0		0		0		0		0		0		0		0		0		0		0		0		0		0		0	
0		0		0		0		0		0		0		0		0		0		0		0		0		0		0		0		0		0		0		0	
0		0		0		0		0		0		0		0		0		0		0		0		0		0		0		0		0		0		0		0	
0		0		0		0		0		0		0		0		0		0		0		0		0		0		0		0		0		0		0		0	
0		0		0		0		0		0		0		0		0		0		0		0		0		0		0		0		0		0		0		0	
0		0		0		0		0		0		0		0		0		0		0		0		0		0		0		0		0		0		0		0	
0		0																																					

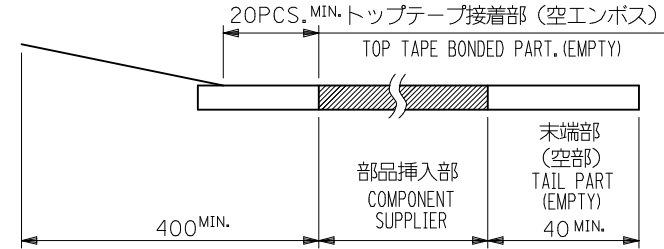
注記 NOTES

- 製品詳細寸法については図面 SD-54729-011 を参照下さい。
RE DETAILED DIMENSION, SEE SD-54729-011
- 梱包数量：2000個/リール
NUMBER OF CONNECTORS : 2000PCS/REEL
- リードテープ長さ LEAD TAPE LENGTH

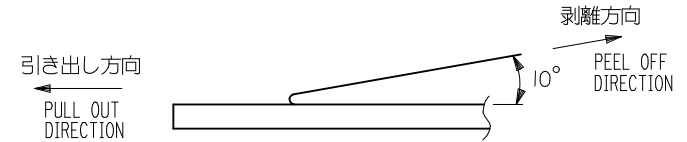
引き出し方向
PULL OUT
DIRECTION



引き出し方向
PULL OUT
DIRECTION



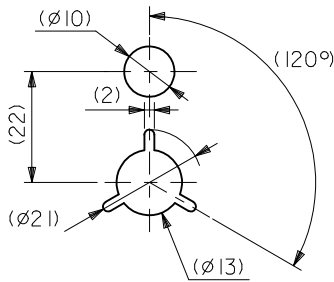
- トップテープの剥離強度：0.1N ~ 0.7N(10.2gf ~ 71.4gf)
(剥離方向は下図参照)
尚、本規格値は出荷時に適用。(但し、輸送時に剥離が発生しないこと。)
PEELING OFF FORCE OF TOP TAPE : 0.1N ~ 0.7N(10.2gf ~ 71.4gf)
(PEELING DIRECTION AS SHOWN IN FOLLOWING FIG,)
THIS REQUIREMENT SHOULD BE APPLIED AT SHIPMENT.
PEEL OFF SHOULD NOT BE ALLOWED , DURING TRANSPORTATION.



- 材料
キャリアテープ：ポリプロピレン (PP)
トップテープ：PET, PE, PEF
リール：ポリスチレン (PS) <リサイクル材を含む>

MATERIAL CARRIER TAPE: POLYPROPYLENE
TOP TAPE: PET, PE, PEF
REEL: POLYSTYRENE(PS)
<RECYCLE MATERIAL CONTAINED>

無鉛
LEAD FREE

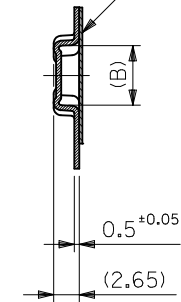


DETAIL "F"

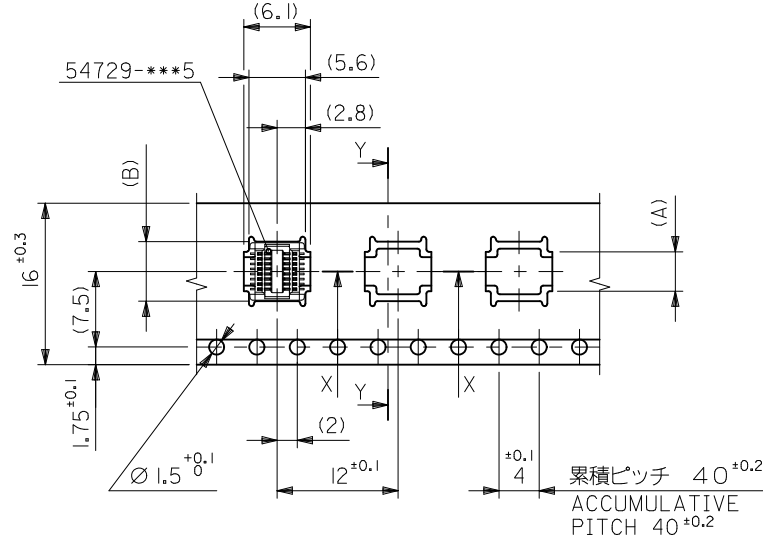
REVISED EC NO: J2012-0366 DRWN: YON002 CHKD: TASAKAWA APPR: MSASAO	DESCRIPTION 2011/09/08 2011/09/08 2011/11/21	GENERAL TOLERANCES (UNLESS SPECIFIED)		DIMENSION STYLE MM ONLY		SCALE ---	MODEL NO. 54729-***6	DESIGN UNITS METRIC	THIRD ANGLE PROJECTION
		10 UNDER	± ---	DRAWN BY RSUMIYA	DATE 2004/02/04	TITLE 0.5 B-T-O-B REC HSG ASSY (HGT=2MM) EMBSTP PKG [NI BARRIER]			
		10 OVER 30 UNDER	± ---	CHECKED BY S. AIHARA	DATE 2004/02/04	MOLEX INCORPORATED			
		30 OVER	± ---	APPROVED BY	DATE	MATERIAL NO. SEE CHART	DOCUMENT NO. SD-54729-012	SHEET NO. 1 OF 2	
A	REV	ANGULAR ± --- ° DRAFT WHERE APPLICABLE MUST REMAIN WITHIN DIMENSIONS		THIS DRAWING CONTAINS INFORMATION THAT IS PROPRIETARY TO MOLEX INCORPORATED AND SHOULD NOT BE USED WITHOUT WRITTEN PERMISSION					

引き出し方向
PULL OUT DIRECTION

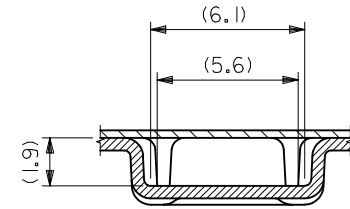
トップテープ
TOP TAPE



SECT : Y-Y



16mm幅キャリアテープ
16mm WIDTH CARRIER TAPE



SECT : X-X

無鉛
LEAD FREE

16	17.5	5.9	3.9	54729-0166	16
キャリアテープ幅 CARRIER TAPE WIDTH	E	(B)	(A)	MATERIAL NO.	極数 CIRCUIT

REVISED EC NO: J2012-0366 DRWN: YON002 CHKD: TASAKAWA APPR: MASAO 2011/09/08 2011/09/08 2011/11/21	GENERAL TOLERANCES (UNLESS SPECIFIED)		DIMENSION STYLE MM ONLY		SCALE ---		DESIGN UNITS METRIC		THIRD ANGLE PROJECTION	
	10 UNDER	± ---	DRAWN BY RSUMIYA	DATE 2004/02/04	TITLE 0.5 B-T0-B REC HSG ASSY (HGT=2MM) EMBSTP PKG [NI BARRIER]					
	10 OVER 30 UNDER	± ---	CHECKED BY S. AIHARA	DATE 2004/02/04	MOLEX INCORPORATED					
	30 OVER	± ---	APPROVED BY	DATE	MATERIAL NO. SEE CHART		DOCUMENT NO. SD-54729-012		SHEET NO. 2 OF 2	
A	DESCRIPTION	ANGULAR ± --- ° DRAFT WHERE APPLICABLE MUST REMAIN WITHIN DIMENSIONS		THIS DRAWING CONTAINS INFORMATION THAT IS PROPRIETARY TO MOLEX INCORPORATED AND SHOULD NOT BE USED WITHOUT WRITTEN PERMISSION						