

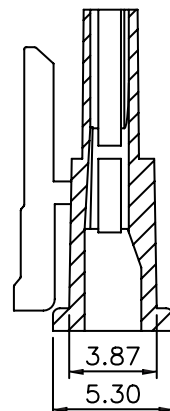
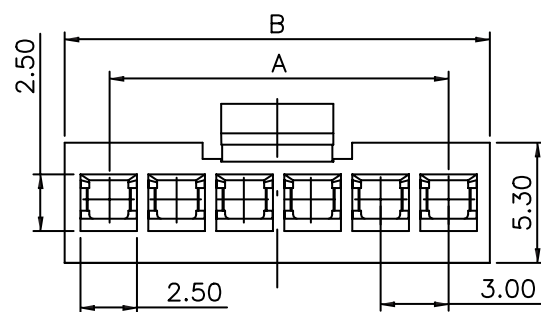
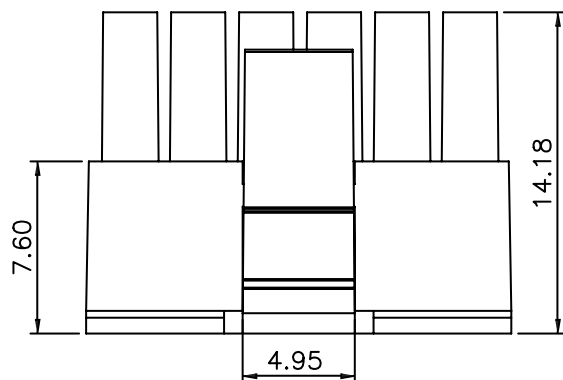
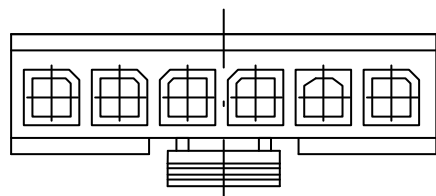
1

2

3

4

5



TECHNICAL CHARACTERISTICS

MATERIAL
INSULATOR: NYLON 6T
COLOR: BLACK
PITCH: 3.00MM

ENVIRONMENTAL
OPERATING TEMPERATURE: -25 UP TO 105°C
FLAMABILITY RATING: UL94-V0
COMPLIANCE: LEAD FREE AND ROHS

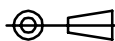
ELECTRICAL
CURRENT RATING: 5A
WORKING VOLTAGE: 250V AC
INSULATOR RESISTANCE: >1000 MOHM
DIELECTRIC WITHSTANDING VOLTAGE: 1500V AC/MN

PACKAGING
BAG

DIMENSION
A = 3.00 x (NB. PIN - 1)
B = 3.00 x (NB. PIN) + 0.85

RoHS Compliant

PROJECTION:



GENERAL TOLERANCE

.X = \pm 0.2.XX = \pm 0.15

APPROVAL: RJ

UNIT: MM

DESCRIPTION: 3.00MM FEMALE SINGLE ROW RECEPTACLE

SIZE

G

F

E

D

C

B

A

23-AVR-09

01-MAR-07

08-JUN-06

DATE

PACKAGING

PDF

ROHS

FILE

JC

EC

CEL KING

BY

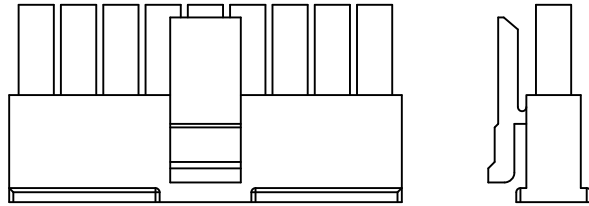
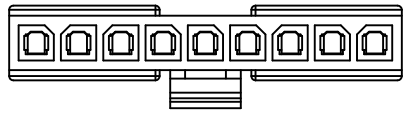
SCALE:

SHEET: 1/2

DRAW: PEARL

WERI PART NO: 6620 xx 013322

A4



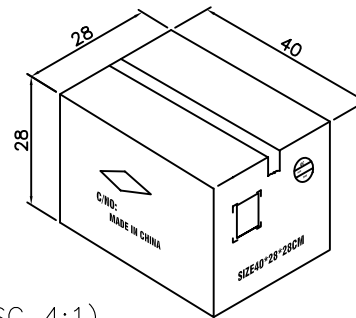
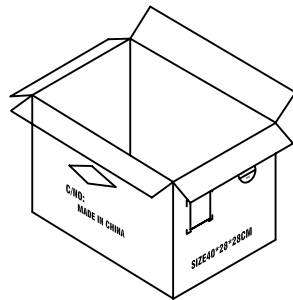
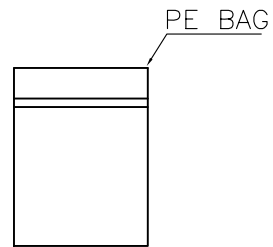
Note:

1.Dimension:

Carton Size:40*28*28(cm)

2.Quantity:

| Pin. | Pcs/Bag | Pcs/Carton | Pin. | Pcs/Bag | Pcs/Carton |
|------|---------|------------|------|---------|------------|
| 2 | 1000 | 14000 | 8 | 500 | 5000 |
| 3 | 1000 | 14000 | 9 | 500 | 5000 |
| 4 | 1000 | 10000 | 10 | 250 | 3500 |
| 5 | 1000 | 10000 | 11 | 250 | 2500 |
| 6 | 1000 | 6000 | 12 | 250 | 2500 |
| 7 | 500 | 6000 | | | |



Carton (SC 4:1)

| RoHS Compliant | | | |
|----------------|--------------------------|------|----|
| G | | | |
| F | | | |
| E | <input type="checkbox"/> | | |
| D | <input type="checkbox"/> | | |
| C | <input type="checkbox"/> | | |
| B | <input type="checkbox"/> | | |
| A | <input type="checkbox"/> | | |
| REV | DATE | FILE | BY |

PROJECTION:

GENERAL TOLERANCE
 .X = +/- 0.2
 .XX = +/- 0.15



APPROVAL: RJ

UNIT: MM
 SCALE:
 SHEET: 2/2
 DRAW: PEARL

DESCRIPTION: 3.00MM FEMALE SINGLE ROW RECEPTACLE
 WERI PART NO: 6620 xx 013322_TPK

SIZE
A4