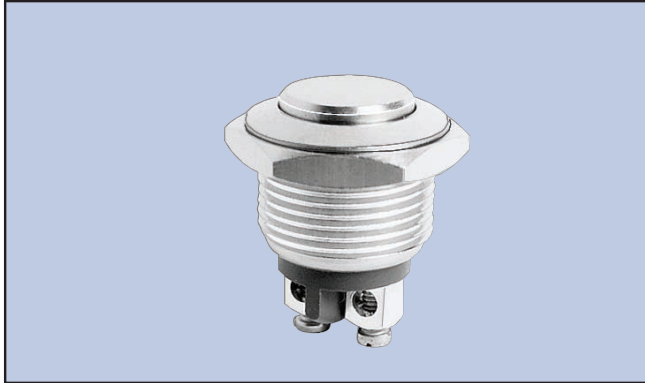


Security Pushbutton, Single Pole



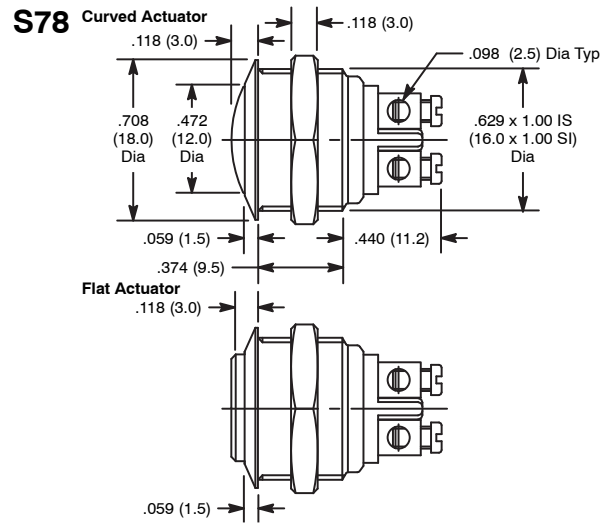
Features

- .629" (16mm) bushing diameter



NTE Type No.	Circuitry	Action		Actuator	Diag No.
54-460	SPST-NO	OFF	(ON)	Stainless Steel, Curved	S78
54-474	SPST-NO	OFF	(ON)	Nickel Plated Brass, Flat	S78

SPECIAL NOTE: () = Momentary Function



Specifications

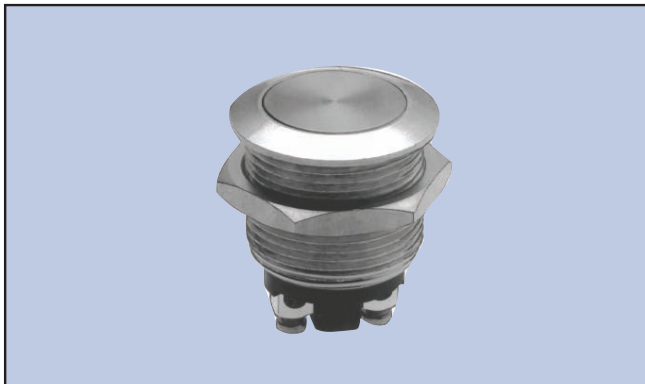
Contact Rating: 100-400mA 48VDC max. (resistive load)
Initial Contact Resistance: 50 Milliohms (max.)
Insulation Resistance: 1000 Megohms (min.) at 500VDC
Dielectric Strength: 2000V RMS (min.)
Temperature Rating: -4° to +131°F (-20° to +55°C)
Electrical Life: 50,000 cycles min. at 200mA 48VDC
Mechanical Life: 1,000,000 cycles min.
Terminal Type: Screw Type
Mounting Hole: .638 (16.2)

Security Pushbutton, Single Pole



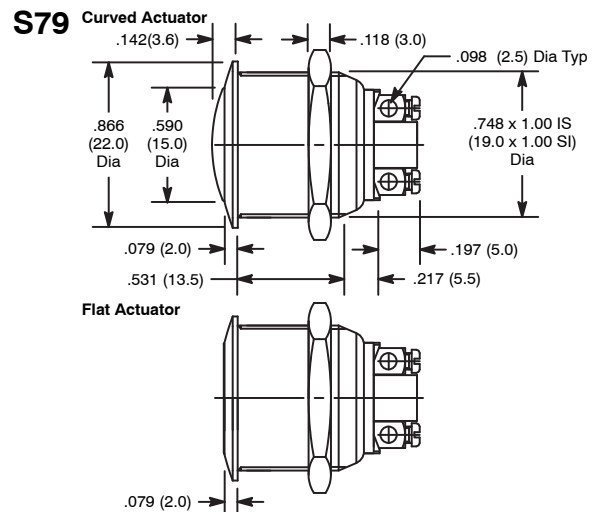
Features

- .748" (19mm) bushing diameter



NTE Type No.	Circuitry	Action		Actuator	Diag No.
54-375	SPST-NO	OFF	(ON)	Nickel Plated Brass, Flat	S79
54-376	SPST-NO	OFF	(ON)	Nickel Plated Brass, Curved	S79

SPECIAL NOTE: () = Momentary Function



Specifications

Contact Rating: 2A 48VDC max. (resistive load)
Initial Contact Resistance: 10 Milliohms (max.) at 1A, 2V
Insulation Resistance: 1000 Megohms (min.) at 500VDC
Dielectric Strength: 2000V RMS (min.)
Temperature Rating: -4° to +131°F (-20° to +55°C)
Electrical Life: 10,000 cycles min. full load
Mechanical Life: 1,000,000 cycles min.
Terminal Type: Screw Type
Mounting Hole: .756 (19.2)