

## L79 SERIES

- LED INDICATOR LIGHTS WITH BUILT-IN REFLECTOR
- 5/16" DIA. MOUNTING HOLE
- THREADED HOUSING AND NUT
- 6" WIRE LEADS • CLEAR OR DIFFUSED LENS • VARIOUS LENS COLORS
- 2 TO 125 DESIGN VOLTS

### Overview

The L79 Series LED indicators are constructed with a threaded housing with a built-in reflector. Each unit has a high brightness clear or diffused LED. Low voltage DC units are supplied with two color-coded 6" wire leads. 125 Volt AC units are supplied with a bi-polar LED and two white wire leads. Standard voltages range from 2 to 24 volts DC or 125 volts AC. Indicators mount into a 5/16" diameter mounting hole with a maximum panel thickness of 0.250" (6.35mm). A hex nut and lockwasher are supplied. Current: 20mA Typical.

### Specifications

**Housing:** chrome plated brass. Supplied with lockwasher and hex nut.

**Gasket:** neoprene.

**LED Lens:** clear (L79C) or diffused (L79D).

**LED DC voltage options:** 2, 6, 12, 24 volts.

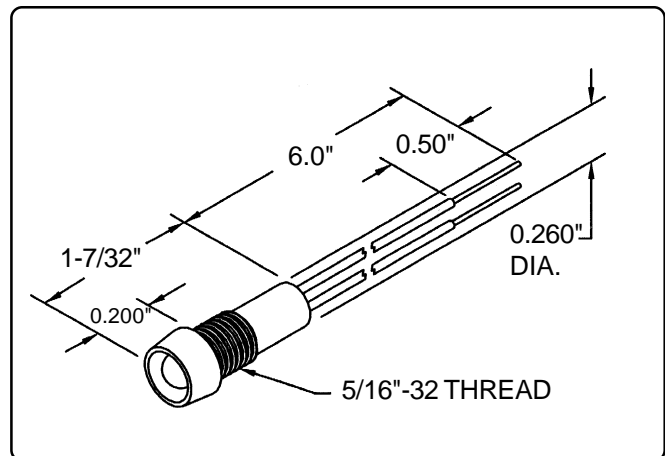
**LED AC voltage options:** 125 volts.

**Note:** 125 volts AC units contain a bi-polar LED.

#### Wire leads:

**6" leads:** #24 AWG, prebonded copper, thin wall PVC, UL/CSA rated 105° C, stripped 1/2". DC units are supplied with a red wire lead which denotes the anode (+) while a black wire lead identifies the cathode (-). AC units are supplied with two white wire leads. Custom wire lengths, stripping, termination and wire types are available.

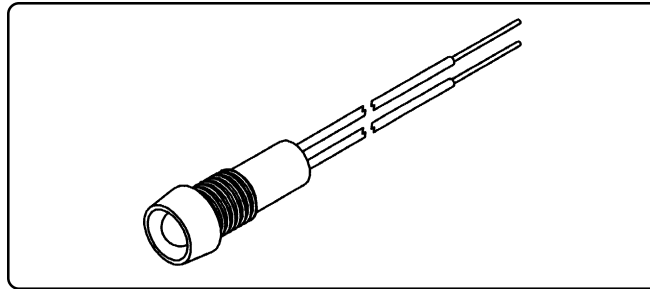
**Other LEDs:** bi-color, low current or ultra bright.



**Can't find it here? We have many more standard and custom solutions.**

For information phone Customer Service at 954-425-0123 or complete the "Fast FAX" form on Appendix, page A-1.

**L79 Series  
LED Indicator Light  
Clear Lens or  
Diffused Lens  
Various Lens Colors**



**6" Wire Leads  
Chrome Plated-  
Brass Housing  
With Reflector  
2 to 125 Design Volts**

| Part Number | Lens Style | Lens Color | Design Volts DC<br>AC Design Volts* | Typical LED Intensity (mcd) | Typical LED Viewing Angle |
|-------------|------------|------------|-------------------------------------|-----------------------------|---------------------------|
| L79C-G2-W   | Clear      | Green      | 2                                   | 100                         | 30°                       |
| L79C-G6-W   | Clear      | Green      | 6                                   | 100                         | 30°                       |
| L79C-G12-W  | Clear      | Green      | 12                                  | 100                         | 30°                       |
| L79C-G24-W  | Clear      | Green      | 24                                  | 100                         | 30°                       |
| L79C-G125-W | Clear      | Green      | 125*                                | 100                         | 30°                       |
| L79C-R2-W   | Clear      | Red        | 2                                   | 100                         | 30°                       |
| L79C-R6-W   | Clear      | Red        | 6                                   | 100                         | 30°                       |
| L79C-R12-W  | Clear      | Red        | 12                                  | 100                         | 30°                       |
| L79C-R24-W  | Clear      | Red        | 24                                  | 100                         | 30°                       |
| L79C-R125-W | Clear      | Red        | 125*                                | 100                         | 30°                       |
| L79C-Y2-W   | Clear      | Yellow     | 2                                   | 100                         | 30°                       |
| L79C-Y6-W   | Clear      | Yellow     | 6                                   | 100                         | 30°                       |
| L79C-Y12-W  | Clear      | Yellow     | 12                                  | 100                         | 30°                       |
| L79C-Y24-W  | Clear      | Yellow     | 24                                  | 100                         | 30°                       |
| L79C-Y125-W | Clear      | Yellow     | 125*                                | 100                         | 30°                       |
| L79D-G2-W   | Diffused   | Green      | 2                                   | 80                          | 60°                       |
| L79D-G6-W   | Diffused   | Green      | 6                                   | 80                          | 60°                       |
| L79D-G12-W  | Diffused   | Green      | 12                                  | 80                          | 60°                       |
| L79D-G24-W  | Diffused   | Green      | 24                                  | 80                          | 60°                       |
| L79D-G125-W | Diffused   | Green      | 125*                                | 80                          | 60°                       |
| L79D-R2-W   | Diffused   | Red        | 2                                   | 80                          | 60°                       |
| L79D-R6-W   | Diffused   | Red        | 6                                   | 80                          | 60°                       |
| L79D-R12-W  | Diffused   | Red        | 12                                  | 80                          | 60°                       |
| L79D-R24-W  | Diffused   | Red        | 24                                  | 80                          | 60°                       |
| L79D-R125-W | Diffused   | Red        | 125*                                | 80                          | 60°                       |
| L79D-Y2-W   | Diffused   | Yellow     | 2                                   | 80                          | 60°                       |
| L79D-Y6-W   | Diffused   | Yellow     | 6                                   | 80                          | 60°                       |
| L79D-Y12-W  | Diffused   | Yellow     | 12                                  | 80                          | 60°                       |
| L79D-Y24-W  | Diffused   | Yellow     | 24                                  | 80                          | 60°                       |
| L79D-Y125-W | Diffused   | Yellow     | 125*                                | 80                          | 60°                       |

**Polarity Determination - Wire Leads:** Red wire lead denotes anode (+); black wire lead denotes cathode (-).