



Earlex
SteamStation™

Model SC300



**BEFORE USE - PLEASE READ THE MANUAL
AND SAFETY INSTRUCTIONS.
Please retain for future reference.**



Thank you for purchasing your Earlex SteamStation SC300,
we hope you enjoy using it.

Please read the manual carefully to get the most
out of your product.



Pack contents:

- 1 - SC300
- 2 - Jug
- 3 - Funnel
- 4 - Towel
- 5 - Straight Adaptor
- 6 - Steam Cap
- 7 - Extension Wands
- 8 - Floor Tool and Swivel Adaptor (8a)
- 9 - Window/Tile Cleaner
- 10 - Angled Nozzle
- 11 - Plastic Brushes, Large and Small
- 12 - Steam Plate
- 13 - Steam Gun

- **Please note that some accessories are stored at the front of the product under the lifting section.**

Read the instruction booklet before using the SC300 and make sure that...

- The cable is in perfect condition.
- All packaging materials are removed from the product.

Safety Instructions - CAUTION

- Be careful of overload water dripping down when working on the ceiling.
- Do not direct steam at people, animals or at electrical devices.
- Do not operate machine without water in the tank.
- Do not allow machine to run unattended at any time.
- Close supervision is necessary when this machine is used near children. Do not allow it to be used as a toy.
- The machine is designed for household use only, do not expose to rain.
- Do not overfill the water tank. The machine contains a maximum of 1200ml of water only. Excessive filling of the water tank may cause damage or injury.
- Never turn the machine over or tilt more than 45° when it is switched on or if it's still producing steam.
- Use extra care when cleaning on stairs or step-ladders.
- To provide continued protection against the risk of electric shock connect properly grounded outlets only.
- Use only genuine manufacturer's parts.
- It is recommended that a RCD (residual current device) rated at 30mA is fitted into the mains supply socket for added protection against electric shock.
- Do not immerse cord, plug or machine in water or any other liquid.
- Do not drag or try to move boiler by pulling either the hose or the mains lead.
- Do not operate with a damaged cord, keep feet and all parts of body away from the jet of steam. Do not operate machine in bare feet or when wearing open toe shoes or sandals.
- Do not pull or carry by cord, or use cord as a handle, close door on cord or pull cord around sharp edges or corners. Keep cord away from heated surfaces.
- Unplug cleaner when not in use. Turn all controls off before unplugging from electrical outlet.
- Do not unplug by pulling on cord. Always grasp the plug, not the cord. Never handle plug or appliance with wet hands.
- Store in a dry place. Do not expose machine to freezing temperatures.
- This appliance is not intended for use by persons (including children) with reduced physical, sensory or mental capabilities, or lack of experience and knowledge, unless they have been given supervision or instruction concerning use of the appliance by a person responsible for their safety.
- The boiler becomes hot in use. Move only by using the carrying handle.
- Allow to cool completely before emptying boiler.
- Do not stand on boiler or hose.
- The equipment must be unplugged after use and before cleaning.



Warning - Risk of injury

Caution! - Steam 100°C - Don't direct at people or animals

Cleaning Fabrics:

A number of materials and fabrics are NOT suitable to be cleaned by steam for example: Do not use on leather, wax polished furniture or floors, synthetic fabrics, velvet, Dralon® or other delicate, steam-sensitive materials.

Cleaning Glass/Mirrors:

Thermal shock can shatter glass. Before cleaning glass surfaces, carefully warm the surface by directing the steam jet on the glass from a distance of no less than 6in or 15cm.

Using wallpaper steam plate (Item 12)

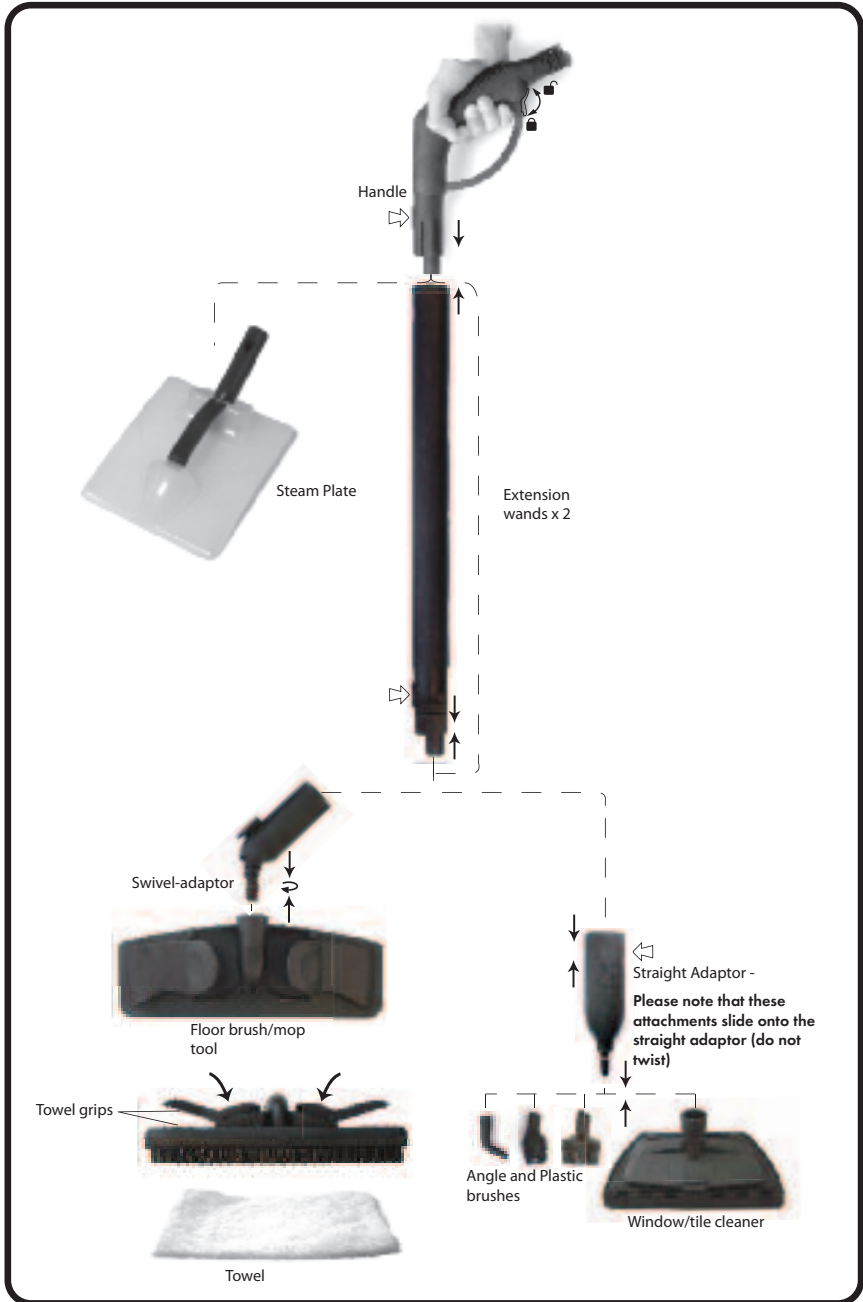
Check the state of your plaster before starting work.

Steam can loosen weak, porous or poorly bonded plaster - which also loosens readily if cracked, holed or if the steam plate is held in one position for too long after the paper is soaked.

Weak plaster can normally be detected by tapping a few areas of wall. A hollow sound indicates that you should proceed only with extreme care - stopping immediately if you hear a cracking sound or plaster starts to break loose.

The steam stripper is safe for drywall/plaster board surfaces but whatever the material, it is always wise to check a small area before starting work properly.

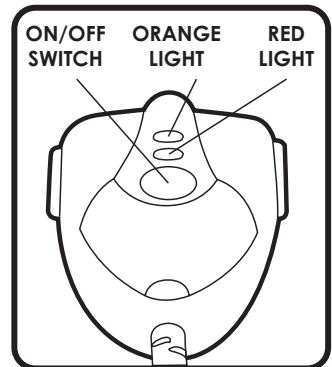
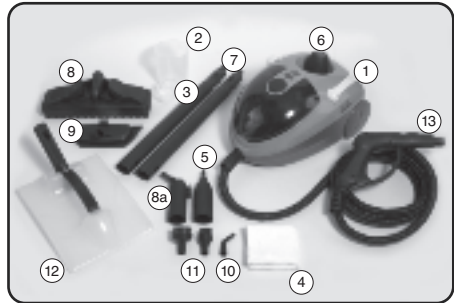
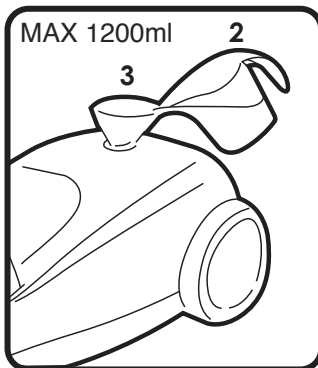
How to put your SC300 together



Cleaning Floors

Instructions for Use

- Make sure the machine is unplugged from the electrical outlet.
- Unscrew the safety cap (6) by turning anti-clockwise.
Please note the cap cannot be unscrewed when the unit is pressurized.
- Using the measuring jug (2) and funnel (3) fill the machine up to 1200ml of water. This should be sufficient to steam clean for approximately 30 minutes.
- Once full, replace the safety cap by turning clockwise and fasten tightly.
- Attach the accessory or floor cleaning tool you require to the machine. (See page 5)
- Now plug the machine into the electrical outlet and switch on. Two lights should illuminate. The red light is a power indicator. The orange light indicates that the machine is building steam pressure. When the machine is first turned on this light will illuminate. The machine takes up to 7-8 minutes to reach the correct pressure level depending on the amount of water in the tank.
- Once the orange light has gone out the machine is ready to use. The orange light may come back on when the machine is in use. If this happens, release the safety trigger and allow the steam pressure to build up once again. This should take no longer than 40 seconds. If the safety trigger is pressed when the orange light is on, hot water may come out of the machine.

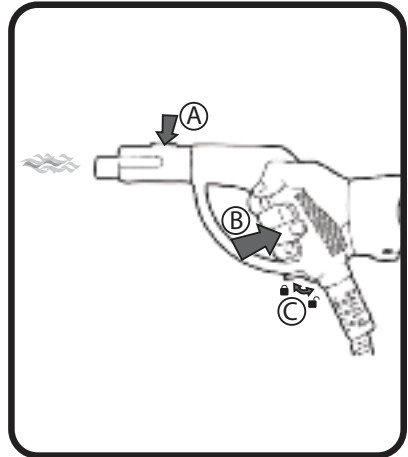


Refilling the water tank

- Switch the machine off using the on/off button.
- Disconnect the power cable from the electrical outlet. Wait 5 minutes before squeezing the safety trigger to make sure the machine is no longer under pressure before unscrewing the safety cap. **DO NOT** unscrew the safety cap until the steam has stopped.
- Fill the water tank as necessary using the funnel provided. **DO NOT** exceed 1200ml of water before replacing the safety cap by turning clockwise. Fasten cap tightly.
- You are now ready to switch the machine on and resume steam cleaning.

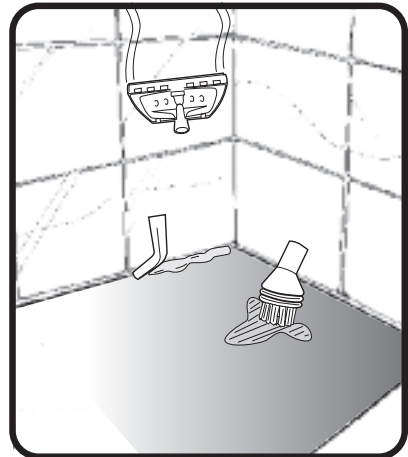
How to use the handle

- A. Press the button in to attach the straight adapter or the extension tubes.
- B. Squeeze the trigger on the handle for steam.
- C. Lock the trigger for constant steam.



How to use the nozzles

- The angled nozzle and the brush tool can be used to get into awkward corners that are normally difficult to clean.
- Use the brush tool to scrub and loosen stubborn dirt from hard surfaces.
- Use the window/tile cleaner to clean grime from tiles and windows.
- To use these tools, first fit the straight adaptor. Depress the button on top of the handle and push the straight adaptor on.
- Now you can push any of these three tools onto the tip of the jet-nozzle. Please note that these attachments slide onto the straight adaptor (do not twist).



- Attach the floor brush to the extension wands, which snap together. Then attach the extension wand to the steam gun. Do ensure the extension wands are firmly connected.
- Before cleaning always remove dust from the surface you wish to clean.
- To release the extension wands depress the button on the hose connection.

Cleaning floors & carpets with cleaning cloth.

- While the machine is switched off attach the cleaning cloth to the floor brush via the spring-loaded clips, Make sure the edges of the cleaning cloth are secure. DO NOT attempt to do this while the machine is still hot.
- Never remove the cleaning cloth while the safety trigger is released or the machine is warm to the touch.

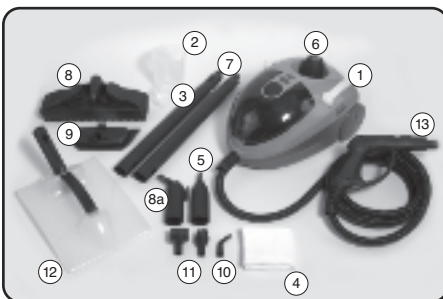
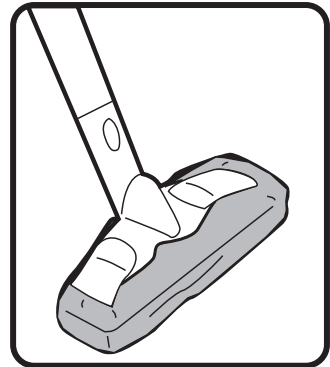
WARNING - Risk of injury!

Fitting the Accessories



- The accessories may be fitted to the steam gun (13) using adaptor (5).
- When fitting the squeegee, adaptor (5) is required.
- When using the round brushes or high-pressure nozzle, adaptor (5) is required.

When using the floor brush (8) use adaptor (8a).



Cleaning and Maintenance

- Cleaning and maintenance operations should be carried out with the appliance disconnected from the power supply.
- The machine should be allowed to completely cool down before it is stored away or cleaned.
- Clean the machine and its accessories with a slightly damp cloth only.
- Never use a cleaning product or detergent.
- To ensure that your machine operates correctly over a long period, rinse out the water tank once a month to remove lime-scale deposits. A vinegar solution or a proprietary de-scaler solution can be used to clean inside the water tank.
- There are no customer service parts for the boiler unit, all repairs must be carried out by a qualified person.

Instructions for Steam Plate use (Item 12).

Item 12 is used in conjunction with Steam Gun (item 13) or fitted to (item 7) Extension Wands.

Note when using this accessory it is not necessary to keep waiting for the orange light to go off as there is sufficient steam pressure available for most stripping and removal operations (approximate continual steaming time with full tank 30 to 35 minutes).

The Steam Plate can be used for the following.

- Wallpaper stripping: (Remember to test small area first). Hold Steam Plate flat against the wallpaper for approximately 10 seconds.
- See page 7 for steam operation with handle.
- Now move the plate to the area immediately next to the one just steamed – from which the paper should now easily come away with a little help from a wallpaper scraper. Note with heavily embossed, vinyl coated or painted papers we would suggest gently scoring the surface either use a proprietary perforator tool or the edge of a wallpaper scraper in a criss - cross pattern with 150mm (6 inch) spacing.
- **Artex® Removal:** Same method as for wallpaper removal although the steaming time maybe longer.

Caution: Some textured finishes may contain asbestos which may be hazardous to health and which are subject to licensing controls operated by the HSE (Health & Safety Executive).

- **Vinyl Floor Tile Removal:** Steam Plate will need to be left on tile surface long enough to penetrate the adhesive. Once the adhesive is hot it softens and the tile can be peeled from the floor.
- **Disinfecting Soil:** To disinfect soil in seed trays or greenhouses rake the soil to obtain a fine surface. Leave the Steam Plate on each section, for 2 to 2.5 minutes which should ensure the steam has penetrated through the surface.
- **Killing Weeds:** Steam will kill weeds on paths and patios without the use of chemicals. You will need to steam the weeds for 1 to 1.5 minutes in order to kill them.

CAUTION

Before using the Steam Plate Accessory (Item 12) with your SC300 please check the following:

- Check the state of your plaster before starting work.
- Steam can loosen weak, porous or poorly bonded plaster – which also loosens readily if cracked, holed or if the Steam Plate is held in one position for too long after applying steam to the material to be removed.
- Weak Plaster can normally be detected by tapping a few areas on the wall, if you hear a hollow sound you should proceed with extreme care – stopping immediately if you hear a cracking sound or the plaster starts to break loose.
- The unit can also be used for dry/wall plaster board surfaces.
- But whatever the surface is that you are removing material from we would always advise that you check a small surface area before starting work properly.

Note: As with all decorating work, be sure to protect flooring and furniture with covers.

Notes

Notes

Technical data

- 2.5 metre power cord
- Water capacity - 1200ml
- Steam-up time – up to 7-8 minutes depending on volume of water
- Working time – 30 minutes
- Tank material - Stainless Steel
- Power - 1500W
- Hose Length - 3m

Troubleshooting

- **Water comes out of the Nozzle**
The Earlex SteamStation creates a large amount of steam. This may condense as water or water droplets in the Steam Hose and can be expelled when used after a period of cooling. This is normal and not a cause for concern.
- **No Steam comes out**
Check that the hose has not become kinked or blocked. Also check the power supply and water level.

- **I cannot remove the Pressure Cap**
Make sure that you have fully de-pressurized the Boiler. See section 'Refilling the water tank'.
- **Steam flow is erratic; sometimes it works well, other times it does not**
If you have not used distilled or deionized water, you may have a small blockage inside your Earlex SteamStation. Try descaling your unit.
Check all attachments are fitted correctly.
- **I live in a hard water area, my Earlex SteamStation does not work as well**
Empty the machine after use. In hard water areas your Earlex SteamStation may benefit from occasional descaling. This can be done by using a kettle descaler solution. You can also use distilled or deionized water to extend the life of the product.

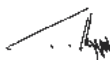
INFORMATION ON THE DISPOSAL OF WASTE ELECTRICAL AND ELECTRONIC EQUIPMENT KNOWN AS WEEE

Your attention is brought to new directives applicable to the disposal of this electrical equipment, where in accordance with the legislation this product must not be disposed of in your normal household waste. Instead it is your responsibility to dispose of this type of waste by handing it over to special designated collection points for recovery and recycling. This product is marked with a 'Wheelie bin' symbol with a cross on it to remind you of this action. The objective of this directive is to help conserve resources and ensure that it is recycled in a manner that protects human health and the environment. For more information about where you can drop off your waste please contact your local authority, take back facilities are free of charge.



EC Declaration of Conformity

We declare that the unit SC300 conforms to: LVD 2006/95/EC, EN 60335-2-54, EN 60335-1, PAH ZEK 01.2-08; EMF EN 62233; EMC 2004/108/EC, EN 55014-1, EN 55014-2, EN 61000-3-2, EN 61000-3-3.



Tim Hopper-Technical Director

Your Guarantee

This product is covered by a 12 month guarantee.
This does not cover normal wear and tear or abuse.
For guarantee purposes, please retain your original receipt as proof of purchase.
This guarantee does not affect your statutory rights.
For spares, service and further information please contact;
Earlex Ltd.
Earlex Ltd, Tel: +44 (0)1483 454666
Email: enquiries@earlex.co.uk Website: www.earlex.com
Opening hours; Monday - Thursday 08.30 - 17.00 and Friday 08.30 - 15.45

Made in China