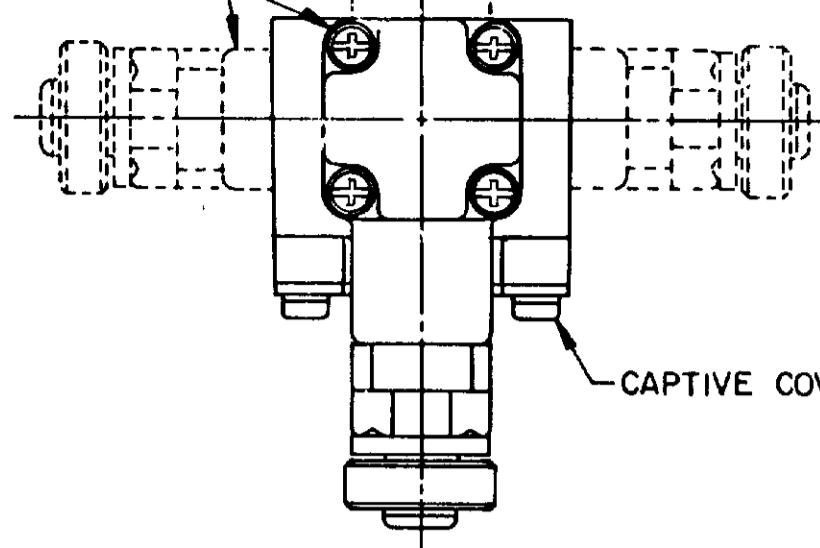


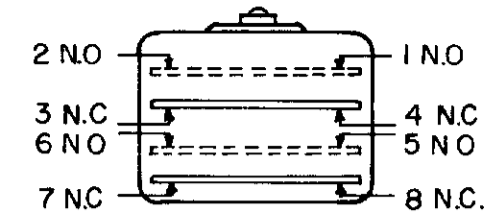
OPERATING HEAD MOUNTS
IN ANY OF FOUR
POSITIONS



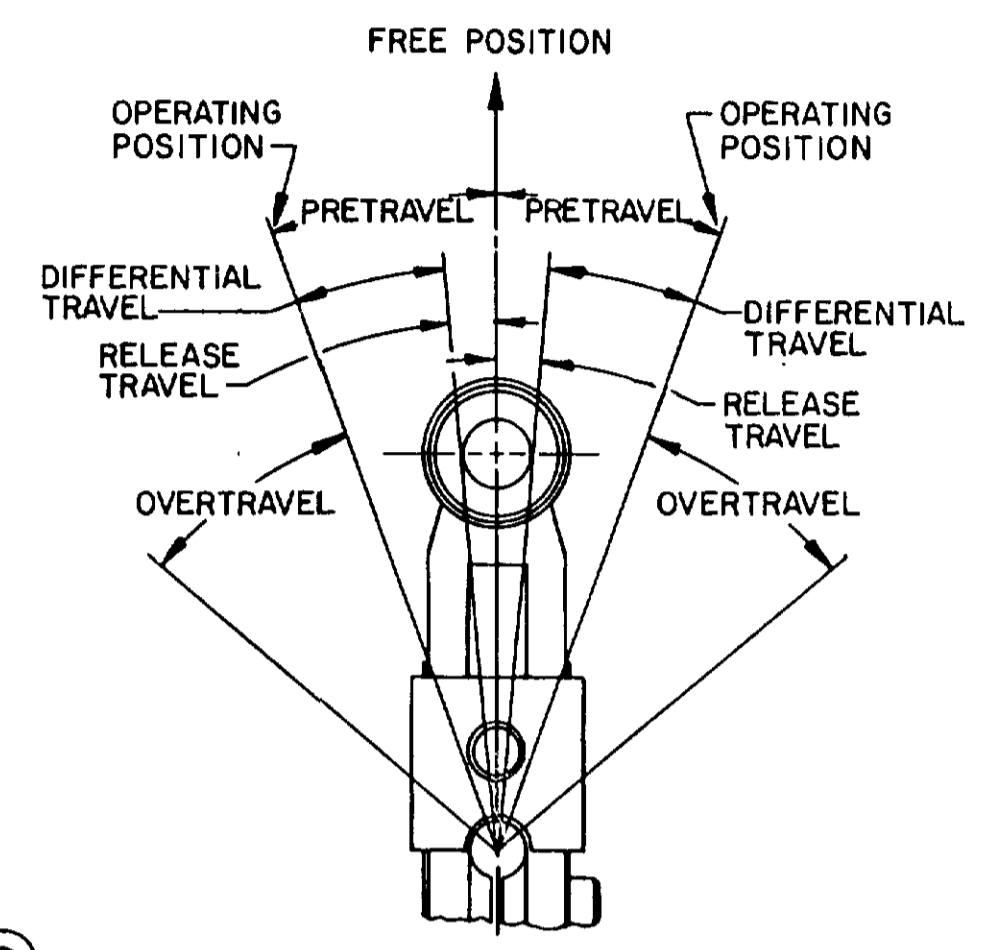
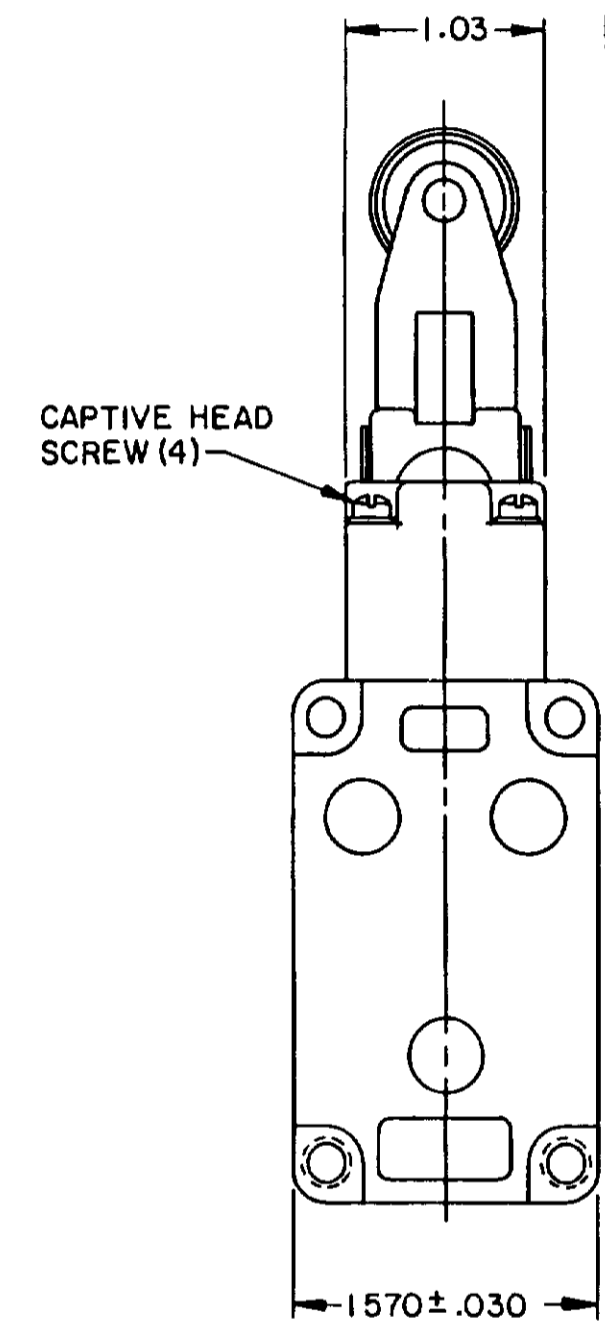
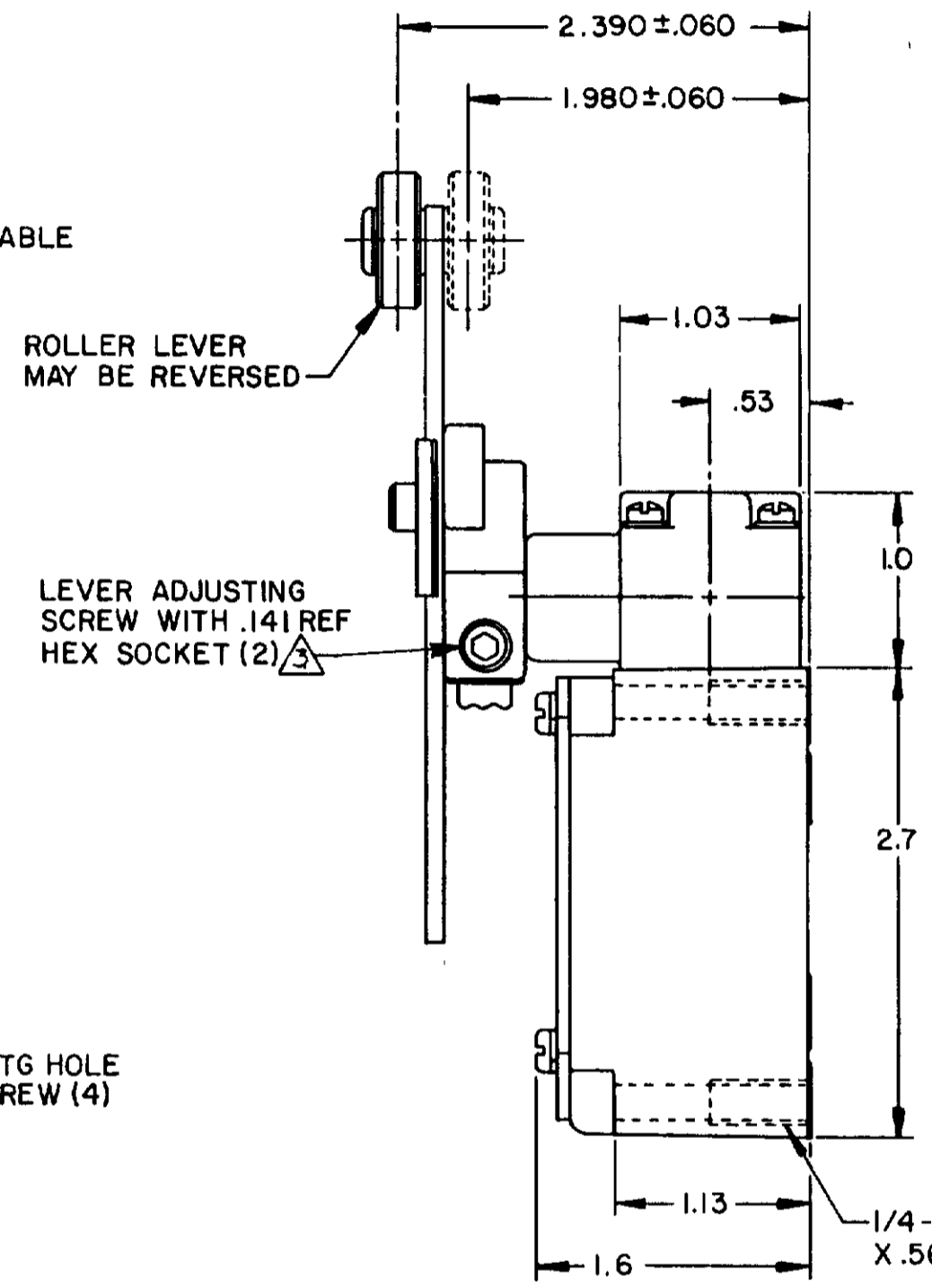
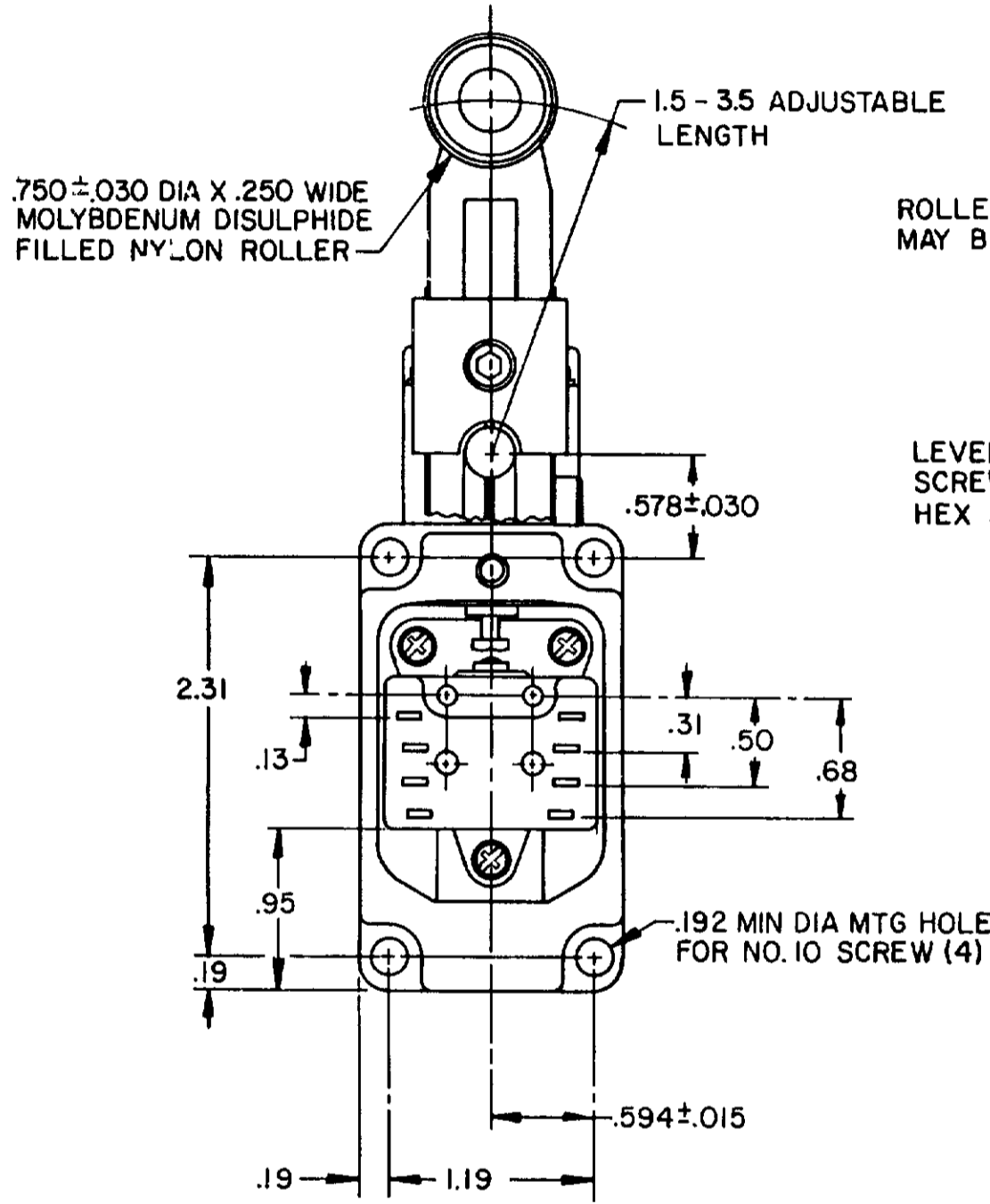
CAPTIVE COVER SCREW (3)

CHARACTERISTICS	
OPERATING TORQUE	4.5 IN-LB MAX
FULL OVERTRAVEL TORQUE	6 IN-LB MAX
RELEASE TORQUE	.75 IN-LB MIN
PRETRAVEL	2° MAX
DIFFERENTIAL TRAVEL	16° MAX
OVERTRAVEL	23° MIN
RELEASE TRAVEL	4° MIN
SWITCH-BASIC REPLACEMENT-- 8AS42	

ELECTRICAL DATA	
CONTACT ARRANGEMENT (SEE CIRCUIT DIAGRAM)	
10A-125 OR 250 VAC 1/2 HP- 125 VAC	

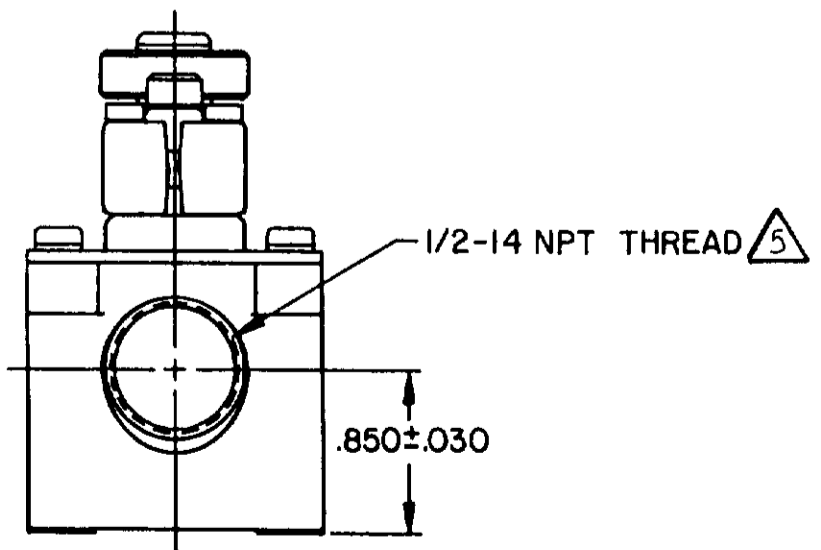


CIRCUIT DIAGRAM



ILS3
 M
 ISSUE 12/13
 DRAWING NUMBER
 PR-464
 RELEASE NO
 REVISIONS
 A 0260488
 T A D
 16 DEC 86
 B 66552
 20 NOV 89
 C 77031
 J D B
 22 DEC 93
 D 78083
 6 J W
 21 JAN 95
 TAD 16 DEC 86
 FO-32863-C
 DRAWING
 CHECKED
 TAD 16 DEC 86
 CHECKED
 TAD 18 DEC 86
 CHECKED

- NOTES
- SWITCH IS ASSEMBLED FOR ACTUATION IN BOTH DIRECTIONS BUT MAY BE ADJUSTED TO ACTUATE IN THE CLOCKWISE DIRECTION ONLY OR THE COUNTERCLOCKWISE DIRECTION ONLY
 - TO CONVERT SWITCH FOR ACTUATION IN EITHER THE CLOCKWISE OR COUNTERCLOCKWISE DIRECTION ONLY, REMOVE ACTUATOR HEAD AND ROTATE THE NOTCHED PLUNGER 90° TO THE RIGHT FOR CLOCKWISE ACTUATION OR 90° TO THE LEFT FOR COUNTERCLOCKWISE ACTUATION
- 3 ROLLER LEVER MAY BE LOCKED IN ANY POSITION THRU 360°
 4 LEVER FURNISHED UNASSEMBLED IN UNIT PACKING BOX
 5 SEAL TO BE FURNISHED BY USER



THIS DRAWING COVERS A PROPRIETARY ITEM AND IS THE PROPERTY OF MICRO SWITCH A DIVISION OF HONEYWELL THIS DRAWING IS NOT TO BE COPIED OR USED WITHOUT THE APPROVAL OF MICRO SWITCH

MICRO SWITCH
a Honeywell Division

SWITCH - ENCLOSED

CATALOG LISTING
IILS3

FED MFG CODE 91929

THIRD ANGLE PROJECTION	
SCALE FULL	
DO NOT SCALE PRINT	
UNLESS OTHERWISE SPECIFIED TOLERANCES ARE	
ONE PLACE	(.0) ± .030
TWO PLACE	(.00) ± .015
THREE PLACE	(.000) ± .005
ANGLES	±
WEIGHT 9 OZ	