

MICRO SWITCH

FREERPORT ILLINOIS, U.S.A
A DIVISION OF HONEYWELL
FED. MFG. CODE 91929

SWITCH - BASIC

CATALOG LISTING

BM-1RQ18124 - A2

CATALOG LISTING
BM-1RQ18124 - A2
PAGE 1 OF 1
M
ISSUE **8**

REPLACES X74652 - BM

RELEASE NO. PR - 11489

CHECK

23NOV07

CHECK

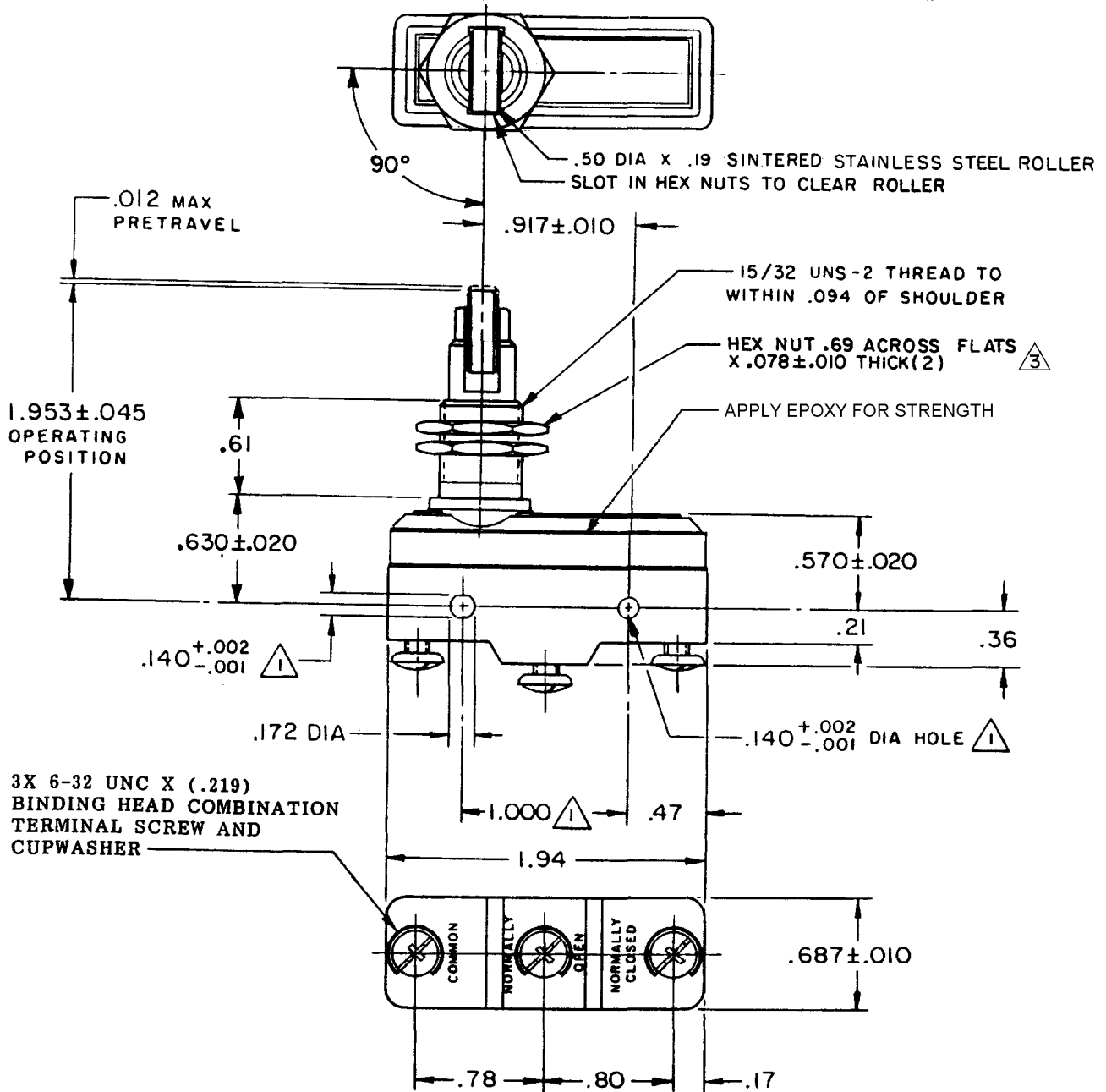
14 SEPT 92

C E B

82

REVISIONS

A	CO-73287-J	JAL	22 NOV 93
B	CO-77588	MAM	29 MAR 94
C	CO-77426-B	DLT	29 JUN 94
D	CO-82133	CSL	2 AUG 96
E	204817	CSL	1 FEB 02
F	207286	GLH	27 JAN 03
G	0035411	JA	23NOV07

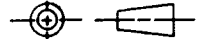


NOTES

- Ⓛ MOUNTING HOLES WILL ACCEPT PINS OR SCREWS OF .139 MAX DIA ON 1.000±.002 CENTERS
- 2 - SWITCH WILL WITHSTAND TEMPERATURE OF 250°F
- Ⓢ HARDWARE FURNISHED UNASSEMBLED

THIS DRAWING COVERS A PROPRIETARY ITEM AND IS THE PROPERTY OF MICRO SWITCH, A DIVISION OF HONEYWELL. THIS DRAWING IS NOT TO BE COPIED OR USED WITHOUT THE APPROVAL OF MICRO SWITCH.

THIRD ANGLE PROJECTION



CHARACTERISTICS	
OPERATING FORCE	7-10 OZ
RELEASE FORCE	4 OZ MIN
DIFFERENTIAL TRAVEL	.0005-.0010
OVERTRAVEL	.140 MIN

ELECTRICAL DATA	
CONTACT ARRANGEMENT S P D T	
L161	22A 125, 250 OR 480 VAC 1/2HP 125 VAC, 1HP 250 VAC
L310	Ⓣ
L288	RU
L315	SP
L318	CE
22A 250V ~ T85 5E4	

SCALE FULL				
DO NOT SCALE PRINT				
TOLERANCES				
APPLY TO DESIGN UNITS. CONVERSIONS ARE ONLY FOR REFERENCE. UNLESS NOTED, TOLERANCES ARE 2				
NO PLACES	DM. mm	TOL. mm/in	DM. in	TOL. mm/in
ONE PLACE	X	1/.04	X.X	0.81/03
TWO PLACES	X.X	0.41/018	X.XX	0.387/018
THREE PLACES	X.XX	0.187/008	X.XXX	0.137/008
ANGLES				
DESIGN UNITS		SI METRIC	US CUSTOMARY	
WEIGHT				

FO-52848-A
DRAWN
S L B 8 SEPT 82