

PLEASE CHECK WWW.MOLEX.COM FOR LATEST PART INFORMATION

Part Number: [19431-0016](#)
Status: **Active**
Overview: [MX150L™ Sealed Connector System](#)
Description: [MX150L™ Male Terminal for 10-12 AWG Wire](#)

Documents:

[Drawing \(PDF\)](#) [RoHS Certificate of Compliance \(PDF\)](#)
[Product Specification PS-19432-001 \(PDF\)](#) [Product Literature \(PDF\)](#)

Agency Certification

CSA LR18689
 UL E152602

General

Product Family Crimp Terminals
 Series [19431](#)
 Application Power
 Comments UL E152602
 Crimp Quality Equipment Yes
 Overview [MX150L™ Sealed Connector System](#)
 Product Literature Order No 987650-2181
 Product Name MX150L™

Physical

Durability (mating cycles max) 25
 Gender Male
 Material - Metal Copper
 Material - Plating Mating Tin
 Material - Plating Termination Tin
 Packaging Type Bag
 Wire Insulation Diameter 3.94mm-4.45mm
 Wire Size AWG 10, 12
 Wire Size mm² N/A

Material Info

UPC 822350193115

Reference - Drawing Numbers

Product Specification PS-19432-001
 Sales Drawing SD-19431-002

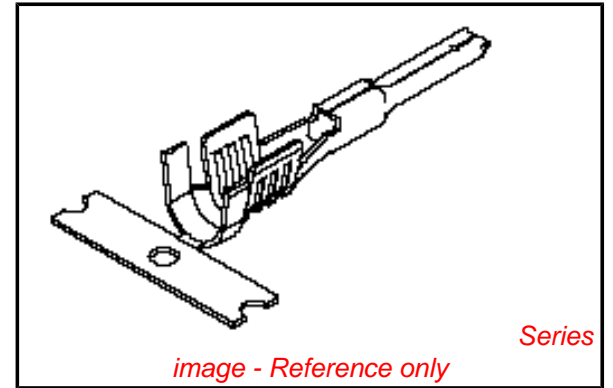


image - Reference only

EU RoHS

**ELV and RoHS
 Compliant**
REACH SVHC
 Not Reviewed
Low-Halogen Status
 Not Reviewed

China RoHS



**Need more information on product
 environmental compliance?**

Email productcompliance@molex.com
 For a multiple part number RoHS Certificate of
 Compliance, [click here](#)

Please visit the [Contact Us](#) section for any
 non-product compliance questions.

Search Parts in this Series

[19431Series](#)

Mates With

[19434 Female Terminal](#)

Use With

[19433 Male Plug](#)

Application Tooling | [FAQ](#)

*Tooling specifications and manuals are
 found by selecting the products below.
 Crimp Height Specifications are then
 contained in the Application Tooling
 Specification document.*

Global

| Description | Product # |
|-------------------------------------|----------------------------|
| Hand Crimp Tool for Crimp Terminals | 0638115300 |