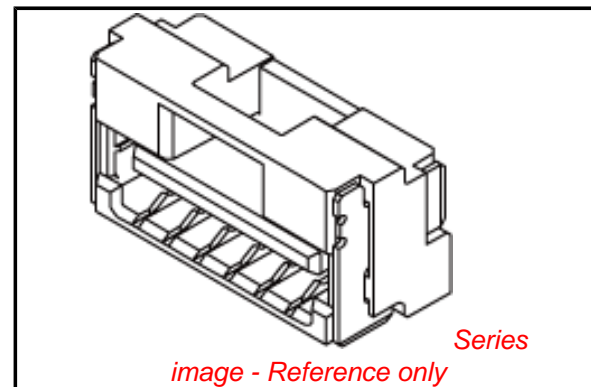


PLEASE CHECK WWW.MOLEX.COM FOR LATEST PART INFORMATION

Part Number: [502386-0670](#)
Status: **Active**
Overview: [CLIK-Mate™ Wire-to-Board Connectors](#)
Description: 1.25mm Pitch CLIK-Mate™ Wire-to-Board PCB Receptacle, Single Row, Right Angle, 6 Circuits

Documents:

3D Model	Application Specification AS-502380-002 (PDF)
Drawing (PDF)	Packaging Specification SPK-502386-001 (PDF)
Product Specification PS-502382-001 (PDF)	RoHS Certificate of Compliance (PDF)



General

Product Family	PCB Receptacles
Series	502386
Application	Signal, Wire-to-Board
MolexKits	Yes
Overview	CLIK-Mate™ Wire-to-Board Connectors
Product Name	CLIK-Mate™

Physical

Circuits (Loaded)	6
Circuits (maximum)	6
Color - Resin	Natural
Durability (mating cycles max)	30
Glow-Wire Compliant	No
Guide to Mating Part	Yes
Keying to Mating Part	Yes
Lock to Mating Part	Yes
Mated Height	5.55mm
Material - Plating Mating	Tin
Material - Plating Termination	Tin
Material - Resin	High Temperature Thermoplastic
Number of Rows	1
Orientation	Right Angle
PCB Locator	No
PCB Retention	None
Packaging Type	Embossed Tape on Reel
Pitch - Mating Interface	1.25mm
Pitch - Termination Interface	1.25mm
Plating min - Mating	1.016µm
Plating min - Termination	1.016µm
Polarized to Mating Part	Yes
Polarized to PCB	No
Stackable	No
Surface Mount Compatible (SMC)	Yes
Temperature Range - Operating	-25°C to +85°C
Termination Interface: Style	Surface Mount

Electrical


Current - Maximum per Contact	1A
Voltage - Maximum	50V AC (RMS)/DC

Material Info

UPC	822350895712
-----	--------------

Reference - Drawing Numbers

Application Specification	AS-502380-002
---------------------------	---------------

EU RoHS ELV and RoHS Compliant REACH SVHC Contains SVHC: No Low-Halogen Status Not Reviewed	China RoHS 
--	--

Need more information on product environmental compliance?

Email productcompliance@molex.com
 For a multiple part number RoHS Certificate of Compliance, [click here](#)

Please visit the [Contact Us](#) section for any non-product compliance questions.

Search Parts in this Series
502386Series

Mates With
502380 Crimp Housing

Packaging Specification
Product Specification

Sales Drawing

SPK-502386-001
PS-502382-001, RPS-502382-003, RPS-502382-005,
RPS-502382-006, RPS-502382-008, RPS-502382-011,
RPS-502382-012, RPS-502382-013, RPS-502382-016,
RPS-502382-017, RPS-502386-002
SD-502386-001, SD-502386-003

This document was generated on 06/19/2012

PLEASE CHECK WWW.MOLEX.COM FOR LATEST PART INFORMATION