

PLEASE CHECK WWW.MOLEX.COM FOR LATEST PART INFORMATION

Part Number: [78079-0111](#)
Status: **Active**
Overview: DDR3 DIMM
Description: 1.00mm Pitch DDR3 DIMM Socket, Vertical, Through Hole, with Beveled Metal Pins, Off-White Housing and Latches, 0.76µm Gold (Au) Plating, 2.67mm Solder tail, 240 Circuits, Lead-Free

Documents:

[3D Model](#) [Product Specification PS-78079-002 \(PDF\)](#)
[Drawing \(PDF\)](#) [RoHS Certificate of Compliance \(PDF\)](#)

Agency Certification

CSA LR19980
 UL E29179

General

Product Family Memory Module Sockets
 Series [78079](#)
 Component Type Socket
 JEDEC Outline MO-269
 Overview [DDR3 DIMM](#)
 Product Name DDR3 DIMM

Physical

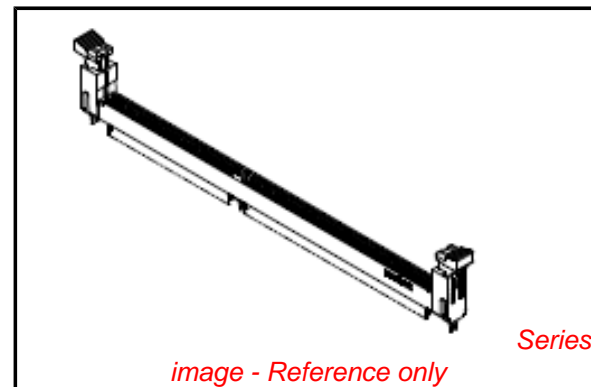
Circuits (Loaded) 240
 Circuits (maximum) 240
 Color - Resin Natural
 Durability (mating cycles max) 25
 Entry Angle Vertical
 Flammability 94V-0
 Keying to Mating Part Yes
 Material - Metal Copper Alloy
 Material - Plating Mating Gold
 Material - Plating Termination Tin
 Material - Resin High Temperature Thermoplastic
 PC Tail Length 2.67mm
 PCB Locator Yes
 PCB Retention Yes
 PCB Thickness - Recommended 1.57mm
 Packaging Type Tray
 Pitch - Mating Interface 1.00mm
 Pitch - Termination Interface 1.00mm
 Plating min - Mating 0.762µm
 Plating min - Termination 2.540µm
 Temperature Range - Operating -55°C to +85°C
 Termination Interface: Style Through Hole

Electrical

Current - Maximum per Contact 1A
 Voltage - Maximum 30V AC (RMS)/DC
 Voltage Key Center

Solder Process Data

Duration at Max. Process Temperature (seconds) 10
 Lead-free Process Capability SMC & Wave Capable (TH only)
 Max. Cycles at Max. Process Temperature 2
 Process Temperature max. C 260



EU RoHS

**ELV and RoHS
 Compliant**
**REACH SVHC
 Contains SVHC: No
 Low-Halogen Status
 Not Reviewed**

China RoHS



**Need more information on product
 environmental compliance?**

Email productcompliance@molex.com
 For a multiple part number RoHS Certificate of Compliance, [click here](#)

Please visit the [Contact Us](#) section for any non-product compliance questions.

Search Parts in this Series

78079Series

Mates With

JEDEC standard 1.27mm modules

Material Info

Reference - Drawing Numbers

Product Specification

PS-78079-002

Sales Drawing

SD-78079-001

This document was generated on 05/18/2012

PLEASE CHECK WWW.MOLEX.COM FOR LATEST PART INFORMATION