

A

B

Elco Europe (A Division of AVX Ltd) CONFIDENTIAL PROPRIETY  
The document on this print and information therewith are PROPRIETY  
to Elco Europe (A Division of AVX Ltd) and shall not be copied  
or disclosed in whole or in part without Elco Europe's written consent.



**RoHS  
COMPLIANT**

13-9159-XXX-101-X16

PREFIX

CODE	TYPE
13	PLUG - VERTICAL MOUNT

SERIES

NO. OF WAYS

CODE	NO. OF WAYS	DETAILS
002	2	SHEET 2
003	3	SHEET 3
004	4	SHEET 4
005	5	SHEET 5
006	6	SHEET 6

2 PART PCB STRIP CONNECTOR

CODE	DESCRIPTION
1	2 PART PCB STRIP CONNECTOR

CONNECTOR PITCH

CODE	PITCH
01	3mm



INSULATOR COLOUR

CODE	COLOUR	AVAILABILITY
0	BLACK	SPECIAL ORDER ONLY
1	WHITE	STANDARD
8	BLACK	UL APPROVED - SPECIAL ORDER
9	WHITE	UL APPROVED - SPECIAL ORDER

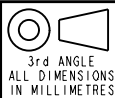
PLATING OPTION

CODE	CONTACT	BRACKET
16	GOLD IN CONTACT AREA TIN ON SOLDER TAIL	TIN ALL OVER

SHEET 1 OF 6

FORM-106-01-056-6 ISS 7

Release No.  
History  
102608  
03.06.2011  
27.06.2011  
30.08.2011  
17.10.2011  
102865  
26.03.2012



3rd ANGLE  
ALL DIMENSIONS  
IN MILLIMETRES



© COPYRIGHT ELCO EUROPE  
NOT TO BE DISCLOSED OR COPIED  
WITHOUT WRITTEN PERMISSION

Drawn  
N.C.H.

Description  
9159 TWO PART - ORDERING CODE

DATE  
06-Sept-04

Size  
CV

Part Number  
13-9159-01\_100S

Issue  
1

A

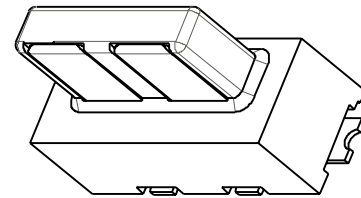
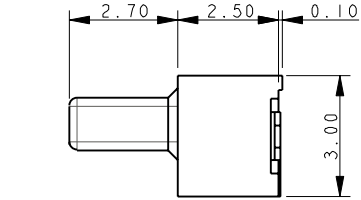
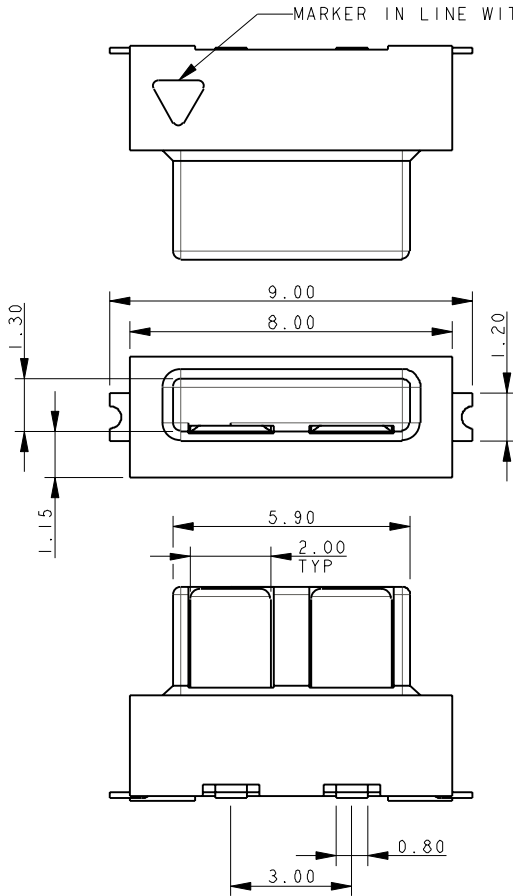
B

# PLUG - VERTICAL MOUNT 2 WAY 2 PART PCB STRIP CONNECTOR



**RoHS  
COMPLIANT**

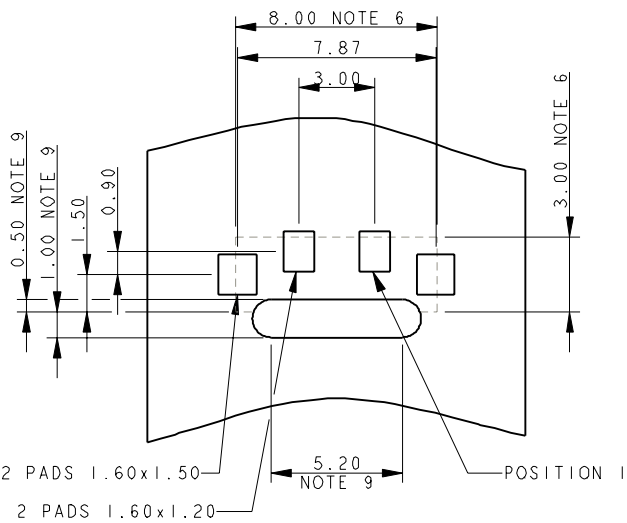
Elco Europe (A Division of AVX Ltd) CONFIDENTIAL PROPRIETY  
The document on this print and information therewith are PROPRIETY  
to Elco Europe (A Division of AVX Ltd) and shall not be copied  
or disclosed in whole or in part without Elco Europe's written consent.



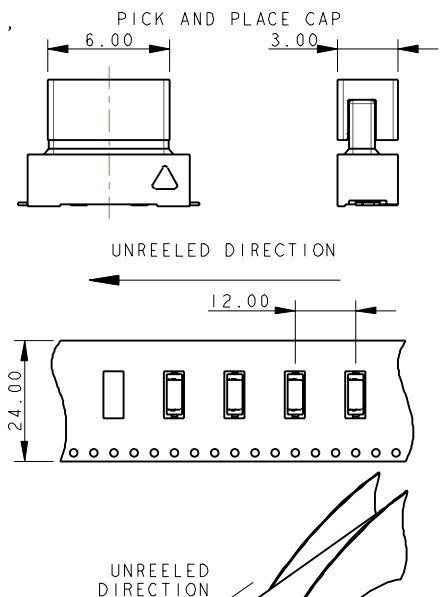
**NOTES:**

- FOR FULL PRODUCT SPECIFICATION ON STANDARD CONNECTORS REFER TO ELCO SPEC 201-01-119, UL COMPONENTS REFER TO ELCO SPEC 201-01-119UL. FOR APPLICATION NOTES REFER TO 201-01-123.
- GENERAL TOLERANCE  $\pm 0.20$  UNLESS TOLERANCED.
- INSULATOR MATERIAL :- NYLON 46, UL94 V-0, COLOUR REFER TO SHEET 1.
- CONTACT MATERIAL :- COPPER ALLOY, SELECTIVE GOLD OVER NICKEL, TIN PLATE ON TAILS.
- BRACKETS :- COPPER ALLOY, TIN PLATED.
- OUTLINE OF CONNECTOR.
- PACKING IN TAPE AND REEL, QUANTITY PER REEL 700.
- PICK AND PLACE CAP TO BE REMOVED AFTER USE.
- OPTIONAL SLOT :- ONLY REQUIRED WHEN SOCKET HAS A LATCH, RADIUS ON ENDS OPTIONAL.
- FOR UL PRODUCT CODES UL REFERENCE E 90723.

## 2 WAY PCB BOARD LAYOUT

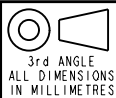


## PACKING DETAILS



FORM-106-01-056-6 ISS 7

Release No.	102608
History	03.06.2011
	27.06.2011
	30.08.2011
	17.10.2011
	102865
	26.03.2012



**ELCO**  
© COPYRIGHT ELCO EUROPE  
NOT TO BE DISCLOSED OR COPIED  
WITHOUT WRITTEN PERMISSION

Drawn	N.C.H.
Size	CV

Description	9159 TWO PART - ORDERING CODE
Part Number	13-9159-01_100S

DATE	06-Sept-04
Issue	1

SHEET 2 OF 6

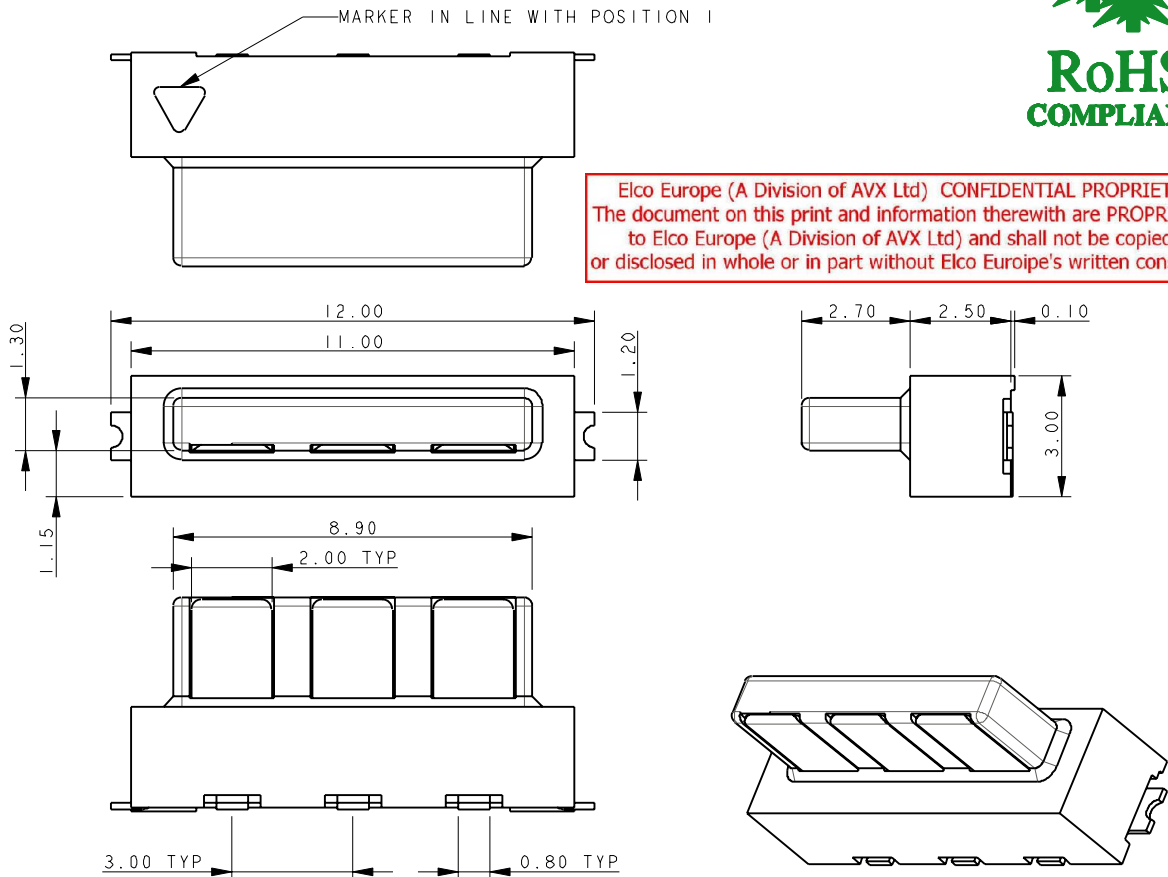
A

B

**PLUG - VERTICAL MOUNT  
3 WAY 2 PART PCB STRIP CONNECTOR**



Elco Europe (A Division of AVX Ltd) CONFIDENTIAL PROPRIETY  
The document on this print and information therewith are PROPRIETY  
to Elco Europe (A Division of AVX Ltd) and shall not be copied  
or disclosed in whole or in part without Elco Europe's written consent.

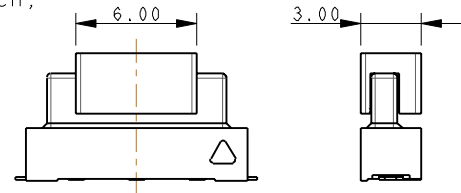


**NOTES:**

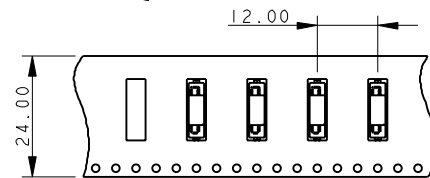
1. FOR FULL PRODUCT SPECIFICATION ON STANDARD CONNECTORS REFER TO ELCO SPEC 201-01-119, UL COMPONENTS REFER TO ELCO SPEC 201-01-119UL. FOR APPLICATION NOTES REFER TO 201-01-123.
2. GENERAL TOLERANCE  $\pm 0.20$  UNLESS TOLERANCED.
3. INSULATOR MATERIAL :- NYLON 46, UL94 V-0, COLOUR REFER TO SHEET 1.
4. CONTACT MATERIAL :- COPPER ALLOY, SELECTIVE GOLD OVER NICKEL, TIN PLATE ON TAILS.
5. BRACKETS :- COPPER ALLOY, TIN PLATED.
6. OUTLINE OF CONNECTOR.
7. PACKING IN TAPE AND REEL, QUANTITY PER REEL 700.
8. PICK AND PLACE CAP TO BE REMOVED AFTER USE.
9. OPTIONAL SLOT :- ONLY REQUIRED WHEN SOCKET HAS A LATCH, RADIUS ON ENDS OPTIONAL.
10. FOR UL PRODUCT CODES UL REFERENCE E 90723.

**PACKING DETAILS**

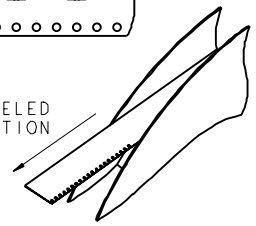
PICK AND PLACE CAP



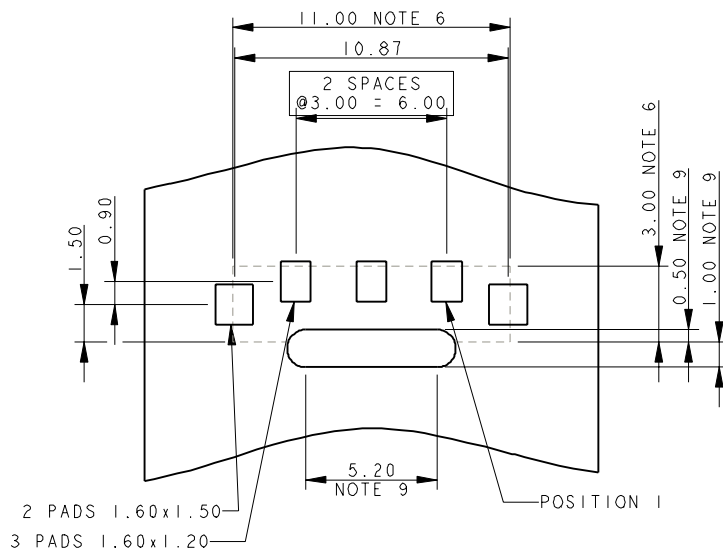
UNREELED DIRECTION



UNREELED DIRECTION



**3 WAY BOARD LAYOUT**



SHEET 3 OF 6

FORM-106-01-056-6 ISS 7

Release No.	102608
History	03.06.2011
	27.06.2011
	30.08.2011
	17.10.2011
	102865
	26.03.2012



**ELCO**  
© COPYRIGHT ELCO EUROPE  
NOT TO BE DISCLOSED OR COPIED  
WITHOUT WRITTEN PERMISSION

Drawn	N.C.H.
Size	CV

Description	9159 TWO PART - ORDERING CODE
Part Number	13-9159-01_100S

DATE	06-Sept-04
Issue	1

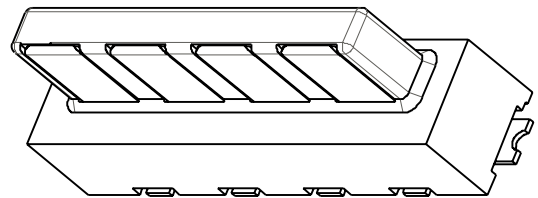
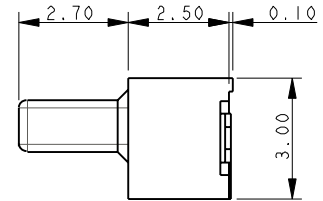
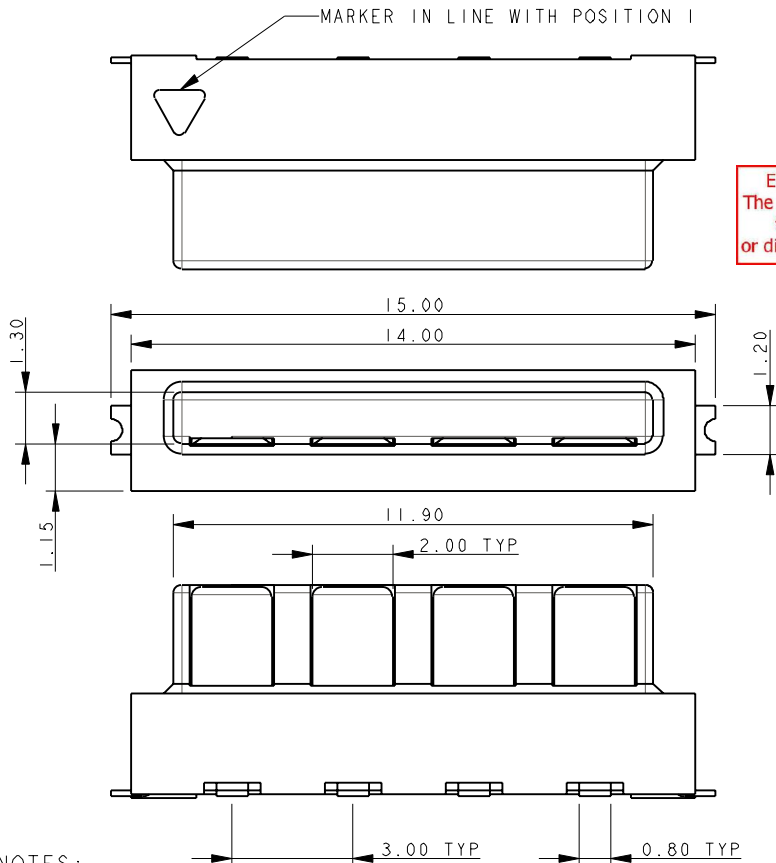
A

B

**PLUG - VERTICAL MOUNT  
4 WAY 2 PART PCB STRIP CONNECTOR**



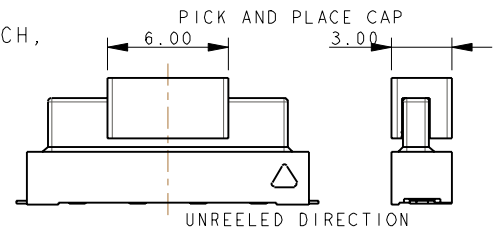
Elco Europe (A Division of AVX Ltd) CONFIDENTIAL PROPRIETY  
The document on this print and information therewith are PROPRIETY  
to Elco Europe (A Division of AVX Ltd) and shall not be copied  
or disclosed in whole or in part without Elco Europe's written consent.



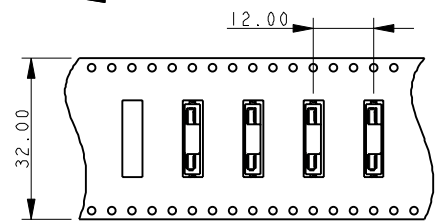
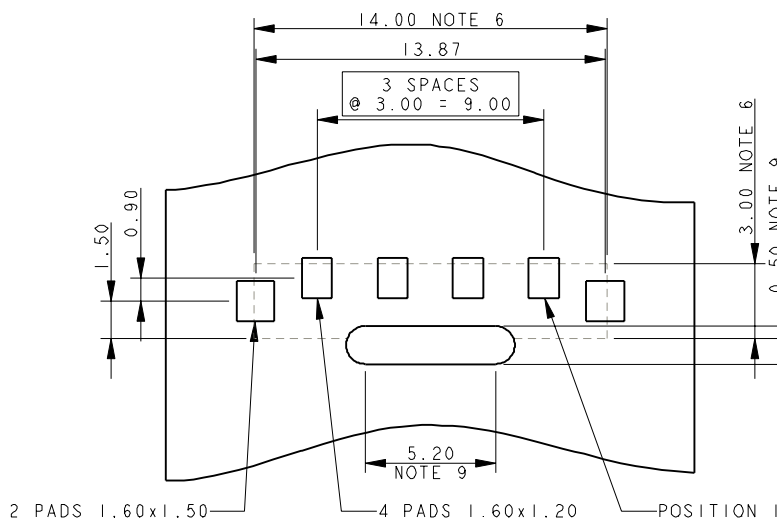
**NOTES:**

1. FOR FULL PRODUCT SPECIFICATION ON STANDARD CONNECTORS REFER TO ELCO SPEC 201-01-119, UL COMPONENTS REFER TO ELCO SPEC 201-01-119UL. FOR APPLICATION NOTES REFER TO 201-01-123.
2. GENERAL TOLERANCE  $\pm 0.20$  UNLESS TOLERANCED.
3. INSULATOR MATERIAL :- NYLON 46, UL94 V-0, COLOUR REFER TO SHEET 1.
4. CONTACT MATERIAL :- COPPER ALLOY, SELECTIVE GOLD OVER NICKEL, TIN PLATE ON TAILS.
5. BRACKETS :- COPPER ALLOY, TIN PLATED.
6. OUTLINE OF CONNECTOR.
7. PACKING IN TAPE AND REEL, QUANTITY PER REEL 700.
8. PICK AND PLACE CAP TO BE REMOVED AFTER USE.
9. OPTIONAL SLOT :- ONLY REQUIRED WHEN SOCKET HAS A LATCH, RADIUS ON ENDS OPTIONAL.
10. FOR UL PRODUCT CODES UL REFERENCE E 90723.

**PACKING DETAILS**



**4 WAY PCB BOARD LAYOUT**



UNREEL DIRECTION

SHEET 4 OF 6

FORM-106-01-056-6 ISS 7

Release No. 102608	History 03.06.2011 27.06.2011 30.08.2011 17.10.2011 102865 26.03.2012
-----------------------	-----------------------------------------------------------------------------------------



**ELCO**  
© COPYRIGHT ELCO EUROPE  
NOT TO BE DISCLOSED OR COPIED  
WITHOUT WRITTEN PERMISSION

Drawn N.C.H.	Description 9159 TWO PART - ORDERING CODE
Size CV	Part Number 13-9159-01_100S

DATE 09-Sep-08	Issue 1
-------------------	------------

A

B

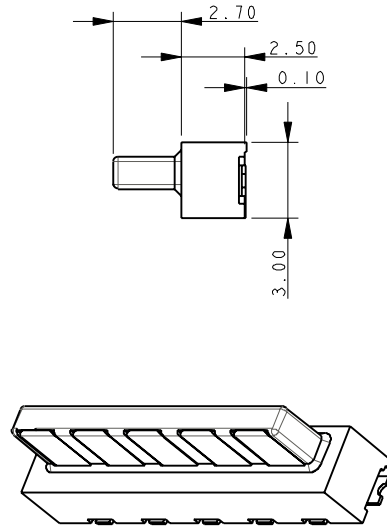
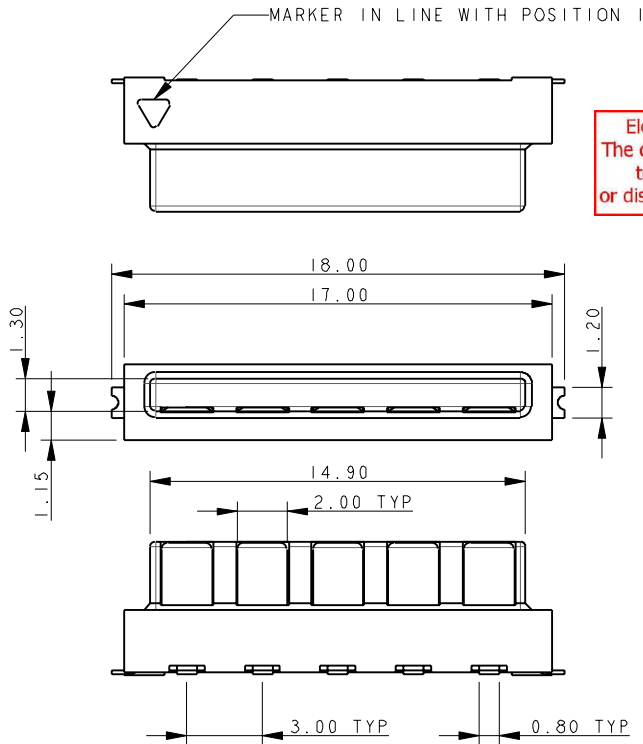
A

B

# PLUG - VERTICAL MOUNT 5 WAY 2 PART PCB STRIP CONNECTOR



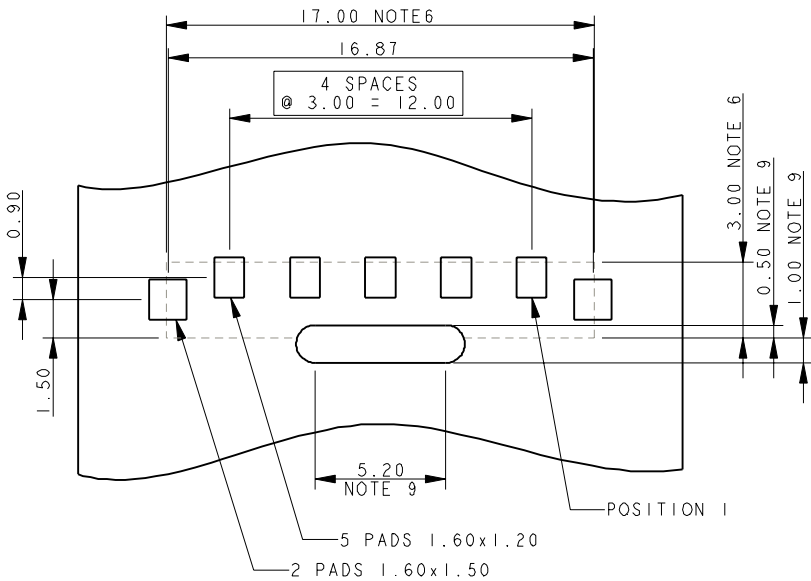
Elco Europe (A Division of AVX Ltd) CONFIDENTIAL PROPRIETY  
The document on this print and information therewith are PROPRIETY  
to Elco Europe (A Division of AVX Ltd) and shall not be copied  
or disclosed in whole or in part without Elco Europe's written consent.



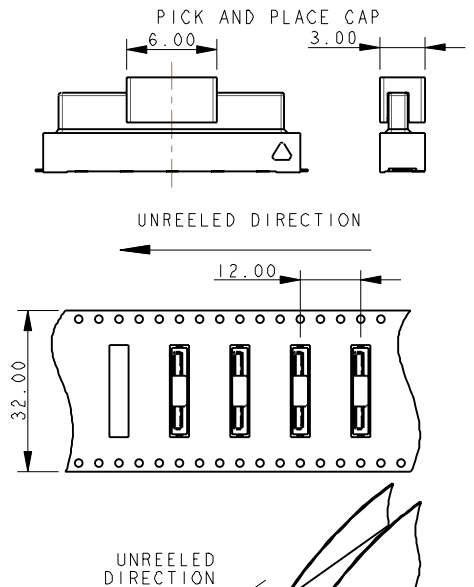
### NOTES:

- FOR FULL PRODUCT SPECIFICATION ON STANDARD CONNECTORS REFER TO ELCO SPEC 201-01-119, UL COMPONENTS REFER TO ELCO SPEC 201-01-119UL. FOR APPLICATION NOTES REFER TO 201-01-123.
- GENERAL TOLERANCE  $\pm 0.20$  UNLESS TOLERANCED.
- INSULATOR MATERIAL :- NYLON 46, UL94 V-0, COLOUR REFER TO SHEET 1.
- CONTACT MATERIAL :- COPPER ALLOY, SELECTIVE GOLD OVER NICKEL, TIN PLATE ON TAILS.
- BRACKETS :- COPPER ALLOY, TIN PLATED.
- OUTLINE OF CONNECTOR.
- PACKING IN TAPE AND REEL, QUANTITY PER REEL 700.
- PICK AND PLACE CAP TO BE REMOVED AFTER USE.
- OPTIONAL SLOT :- ONLY REQUIRED WHEN SOCKET HAS A LATCH, RADIUS ON ENDS OPTIONAL.
- FOR UL PRODUCT CODES UL REFERENCE E 90723.

### 5 WAY PCB BOARD LAYOUT



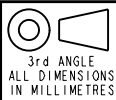
### PACKING DETAILS



SHEET 5 OF 6

FORM-106-01-056-6 ISS 7

Release No.
History
101608
03.06.2011
27.06.2011
30.08.2011
17.10.2011
102865
26.03.2012



**ELCO**  
© COPYRIGHT ELCO EUROPE  
NOT TO BE DISCLOSED OR COPIED  
WITHOUT WRITTEN PERMISSION

Drawn	N.C.H.
Size	CV

Description	9159 TWO PART - ORDERING CODE
Part Number	13-9159-01_100S

DATE	06-Sept-04
Issue	1

A

B

A

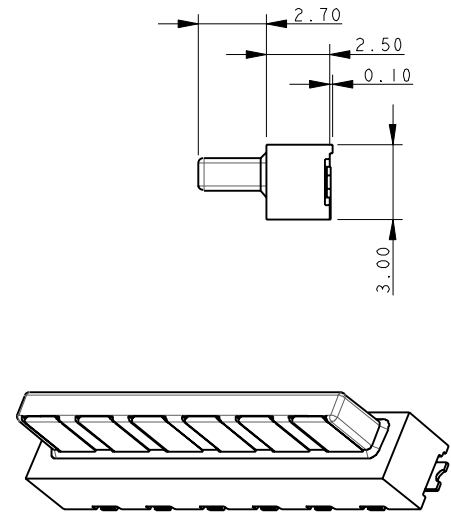
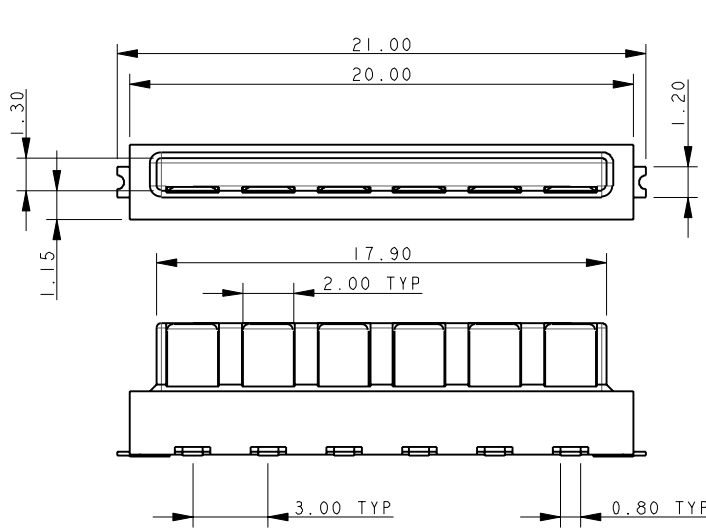
B



**PLUG - VERTICAL MOUNT  
6 WAY 2 PART PCB STRIP CONNECTOR**

MARKER IN LINE WITH POSITION I

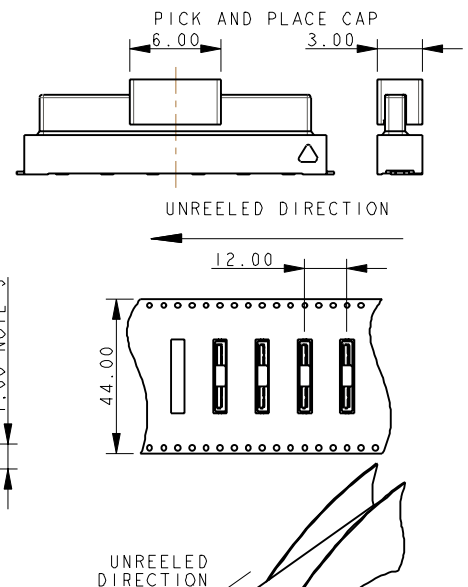
Elco Europe (A Division of AVX Ltd) CONFIDENTIAL PROPRIETY  
The document on this print and information therewith are PROPRIETY  
to Elco Europe (A Division of AVX Ltd) and shall not be copied  
or disclosed in whole or in part without Elco Europe's written consent.



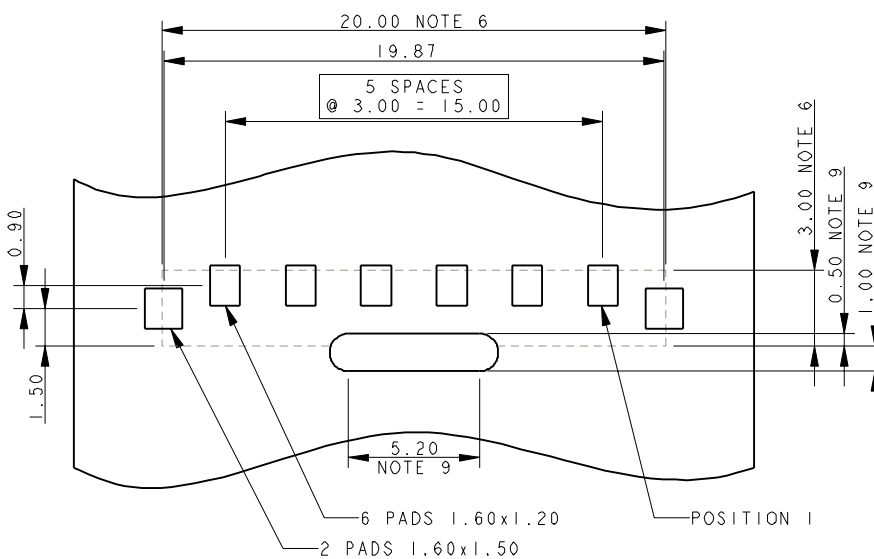
**NOTES:**

- FOR FULL PRODUCT SPECIFICATION ON STANDARD CONNECTORS REFER TO ELCO SPEC 201-01-119, UL COMPONENTS REFER TO ELCO SPEC 201-01-119UL. FOR APPLICATION NOTES REFER TO 201-01-123.
- GENERAL TOLERANCE  $\pm 0.20$  UNLESS TOLERANCED.
- INSULATOR MATERIAL :- NYLON 46, UL94 V-0, COLOUR REFER TO SHEET 1.
- CONTACT MATERIAL :- COPPER ALLOY, SELECTIVE GOLD OVER NICKEL, TIN PLATE ON TAILS.
- BRACKETS :- COPPER ALLOY, TIN PLATED.
- OUTLINE OF CONNECTOR.
- PACKING IN TAPE AND REEL, QUANTITY PER REEL 700.
- PICK AND PLACE CAP TO BE REMOVED AFTER USE.
- OPTIONAL SLOT :- ONLY REQUIRED WHEN SOCKET HAS A LATCH, RADIUS ON ENDS OPTIONAL.
- FOR UL PRODUCT CODES UL REFERENCE E 90723.

**PACKING DETAILS**



**6 WAY PCB BOARD LAYOUT**



SHEET 6 OF 6

FORM-106-01-056-6 ISS 7

Release No.	102608
History	03.06.2011
	27.06.2011
	30.08.2011
	17.10.2011
	102865
	26.03.2012



**ELCO**  
© COPYRIGHT ELCO EUROPE  
NOT TO BE DISCLOSED OR COPIED  
WITHOUT WRITTEN PERMISSION

Drawn	N.C.H.
Size	CV

Description	9159 TWO PART - ORDERING CODE
Part Number	13-9159-01_100S

DATE	06-Feb-09
Issue	1

A

B