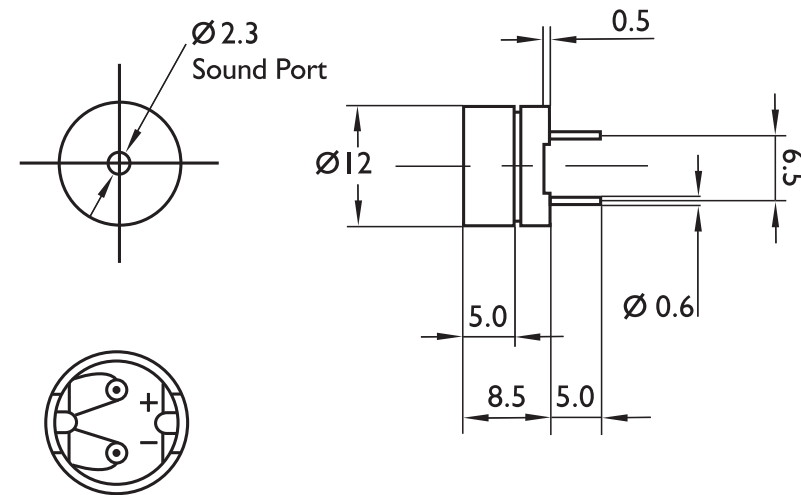


Specifications

ABT-410-RC

Rated voltage (Vp-p square wave)	1.5Vp-p
Operating voltage	1~3Vp-p
Rated current at rated voltage	≤15mA
Sound output at 2048Hz at 10cm	≥80dB
Resonant frequency	2048Hz
Coil resistance	42±6Ω
Coil impedance at 2048Hz	120Ω
Operating temperature	-20~+70°C
Storage temperature	-30~+80°C
Weight	2g

Requires additional electronic circuitry to operate as a sounder. Not wave solderable.



Dimensions Unit: mm Tolerance: ±0.5mm

Features

- ROHS compliant
- Low current consumption
- PCB mountable

All data at 25°C unless otherwise specified



ALAN BUTCHER COMPONENTS LTD

Alan Butcher Components Ltd

Unit 1 Beechwood Clump Farm Industrial Estate Tin Pot Lane Blandford Dorset DT11 7TD

Telephone 01258 456360 Facsimile 01258 459194 Email sales@abcomponents.co.uk

www.abcomponents.co.uk



BS EN ISO 9001 Certification No 5239