



Standard Fan San Ace 60
 Square type : 60mm Thick : 38mm

PDF

The PDF file of this product can be downloaded.

Pulse sensor, Ribbed*image is Ribless model

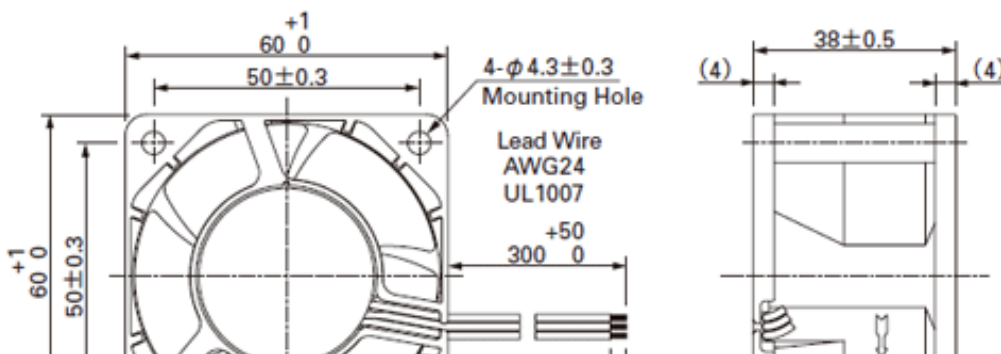
Features

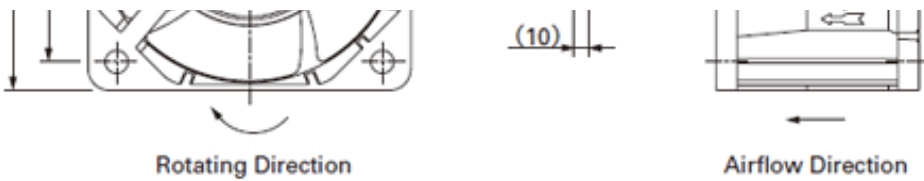
Material	Frame: Plastics (Flammability: UL94V-0), Impeller: Plastics (Flammability: UL94V-0)
Expected Life	40,000 h (Survival rate: 90% at 60° C, rated voltage, and continuously run in a free air state)
Motor Protection System	Current blocking function (with reverse polarity protection)
Dielectric Strength	50/60 Hz, 500VAC, 1 minute (between lead conductor and frame)
Insulation Resistance	10MΩ or more at 500VDC megger (between lead conductor and frame)
Noise Measurement Method	Measured at 1m from the air inlet
Storage Temperature	-30° C to +70° C
Operating Temperature	-10° C to +70° C(Non-condensing)
Lead Wire	(+): red (-): black Sencer: yellow

Specifications

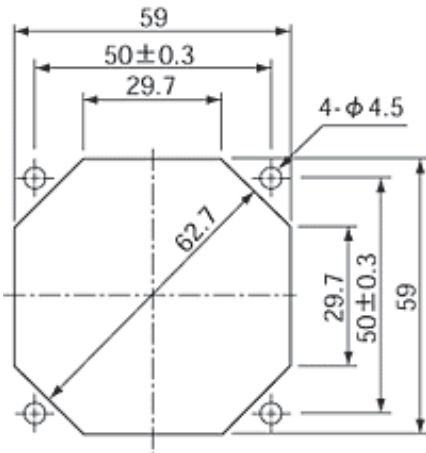
Model No.	Rated Voltage (V)	Operating voltage range (V)	Rated current (A)	Rated input (W)	Rated speed (min ⁻¹)	Air flow (m ³ /min)	Static pressure (Pa)	Noise (dB[A])	Mass (g)
9G0624H101	24	14.0 to 27.6	0.57	13.68	9,800	1.54 (54.4 CFM)	304.6 (1.223 inchH2O)	54	110

Dimensions (unit:mm)

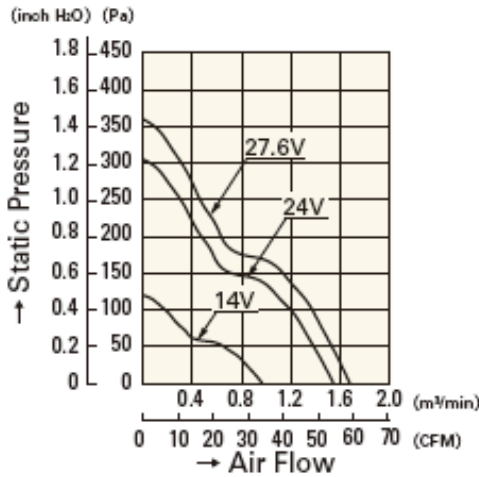




Reference dimensional diagram for installation holes (unit:mm)



Typical air flow and static pressure characteristics



Corresponding accessories list

Finger guards
Square type

Adaptation machines-Frame size:60mm

Model No.	Surface Finishing	Adaptation machines
109-139E	Nickel-chrome plating	San Ace 60
109-139H	Cation electropainting	San Ace 60

Resin finger
guards
Square type

Adaptation machines-Frame size:60mm

Model No.	Material
109-1003G	Frame:(SPS+PS alloy)Resin UL File No.E48268 94V-0

Resin filter Kits

Adaptation machines-Frame size:60mm

Model No.	PPI	Material
109-1003F13	13	Guard,cover:(SPS +PS alloy)Resin UL File No.E48268 94V-0 Filter:Polyurethane foam UL File No.E74916(S) 94HF-1
		Guard,cover:(SPS +PS alloy)Resin UL File No.E48268 94V-0

109-1003F20	20	UL File No.E74916(S) 94HF-1 Filter:Polyurethane foam UL File No.E74916(S) 94HF-1
109-1003F30	30	Guard,cover:(SPS+PS alloy)Resin UL File No.E48268 94V-0 Filter:Polyurethane foam UL File No.E74916(S) 94HF-1
109-1003F40	40	Guard,cover:(SPS+PS alloy)Resin UL File No.E48268 94V-0 Filter:Polyurethane foam UL File No.E74916(S) 94HF-1

Resin filter Kits
Replacement filter

 Adaptation machines-Frame size:60mm

Model No.	PPI	Material
109-1003M13	13	Polyurethane foam UL File No.E74916(S) 94HF-1
109-1003M20	20	Polyurethane foam UL File No.E74916(S) 94HF-1
109-1003M30	30	Polyurethane foam UL File No.E74916(S) 94HF-1

CLOSE