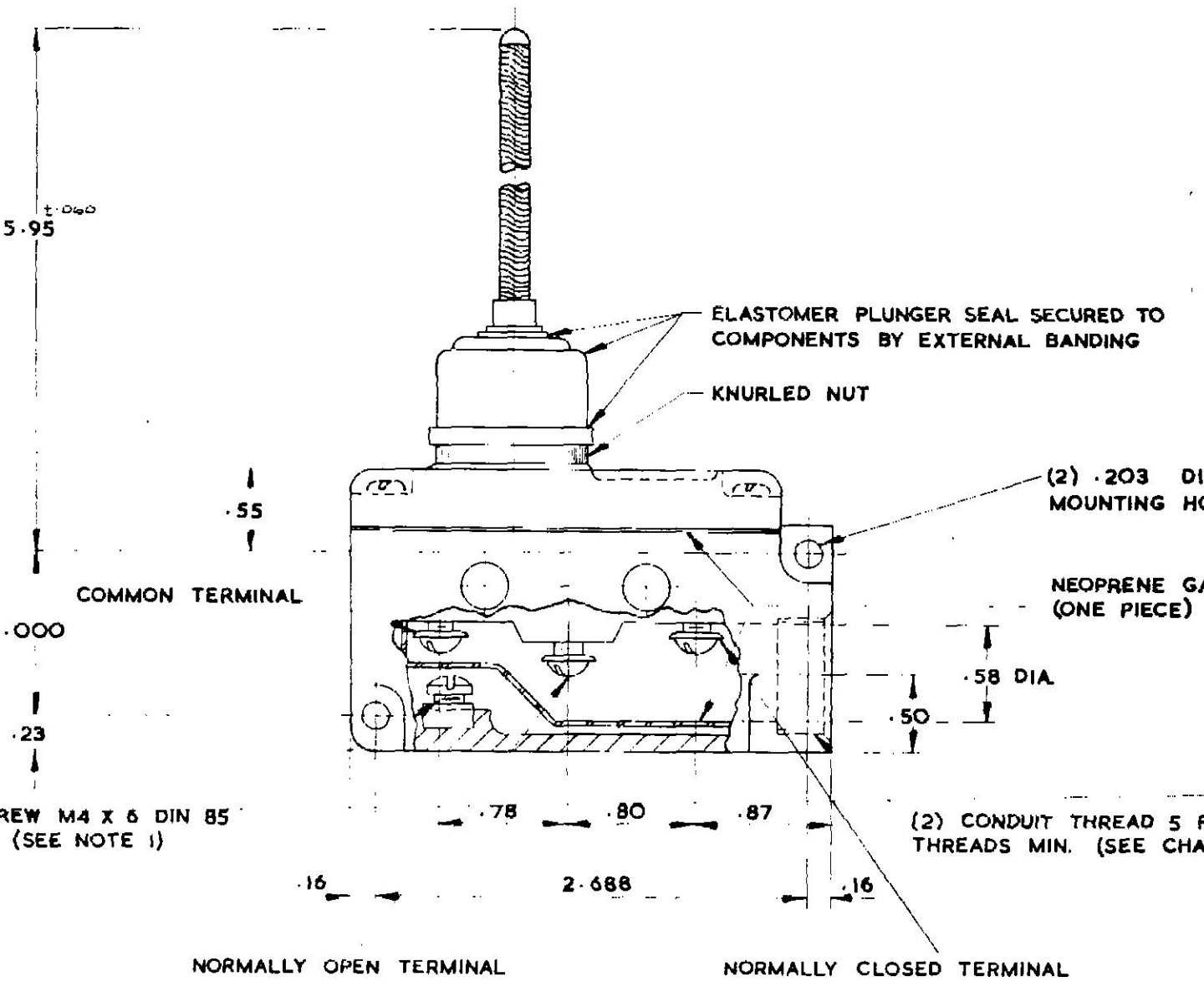
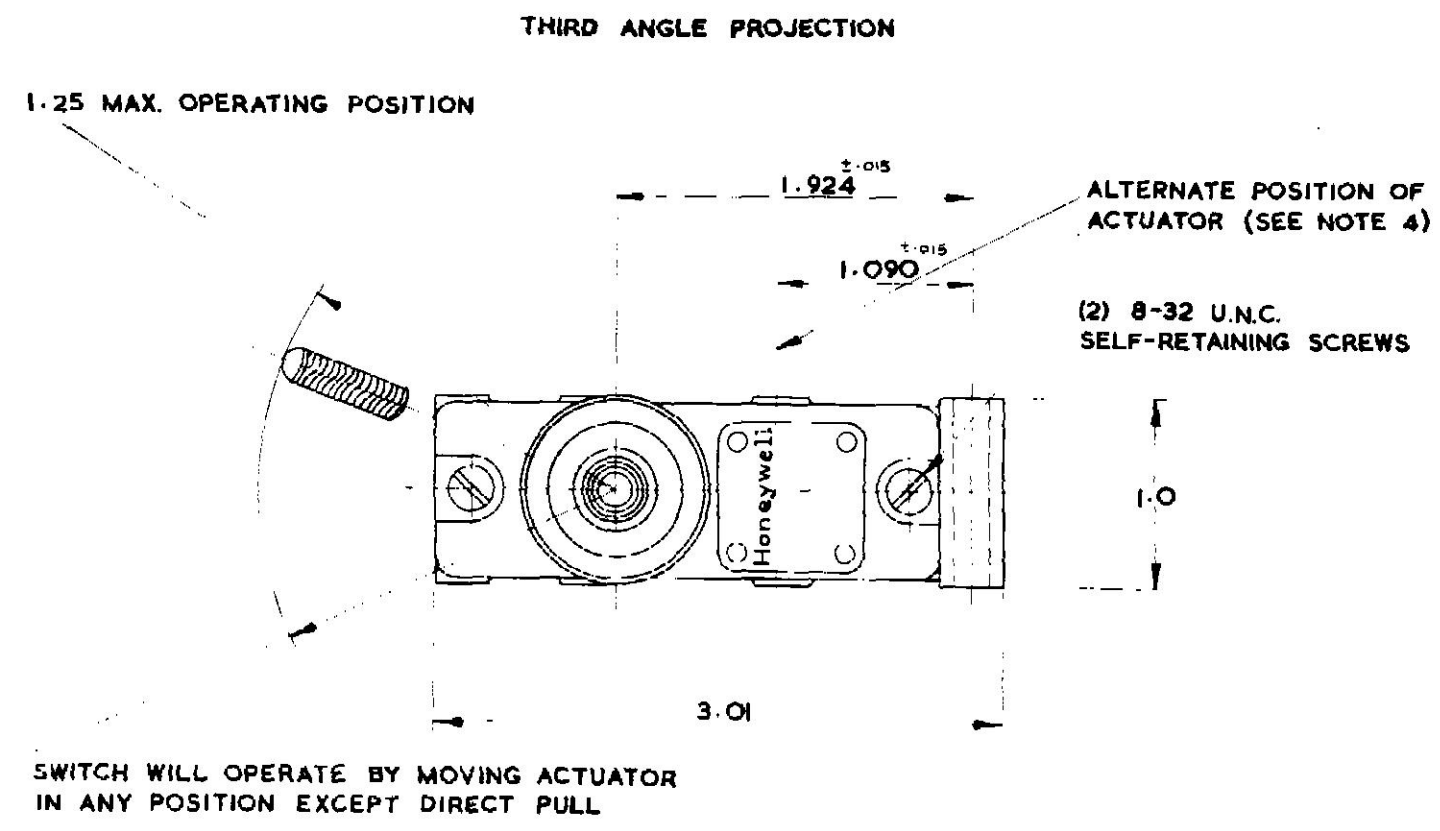


HONEYWELL CONTROLS LTD., GREENFORD MIDDLESEX & NEWHOUSE LANARKSHIRE
SWITCH - BASIC REPLACEMENT BZ - 2RQ - A2N9
CHARACTERISTICS
 OPERATING POSITION: 15° MAX.
ELECTRICAL DATA
 CONTACT ARRANGEMENT: S.P.D.T.
 12A-125, 250 CR 480 VAC
 1/2A-125 VDC, 1/4A-250 VDC
 CONTACT STROKE: .020 MIN.
SCALE 1:1
 DIMENSIONS IN MILLIMETERS
 TOLERANCES: .10, .20, .30, .40, .50, .60, .70, .80, .90, 1.00
 TWO PLACE (0.01) 0.5
 THREE PLACE (0.001) 0.2
 ANGLES: 1°, 5°, 10°, 15°, 30°, 45°, 60°, 75°, 90°
 WEIGHT: []

Honeywell MICRO SWITCH - ENCLOSED
 BZE7 - 2RN18 SERIES
 CATALOGUE LISTING
 CHART I.



NOTE
 1-EARTHING SCREW AND WASHER PROVIDED ON -PG. LISTINGS ONLY
 2-ALUMINIUM ENCLOSURE FINISHED WITH GREY PAINT
 3-6-32 U.N.C. X .219 REF. TERMINAL SCREWS AND CUPWASHERS
 4-COVER, PLUNGER AND BASIC SWITCH MAY BE REMOVED AS A UNIT AND MOUNTED OPPOSITE HAND TO THAT SHOWN

CATALOGUE LISTING	ISSUE	CHECK BY	RELEASE NO.	CONDUIT THREAD	REMARKS
BZE7 - 2RN18	2		1916-069	1/2 - 14 N.P.S.M.	
BZE7 - 2RN18-C	2		CN-40744	20 MM TO BS 4568	
BZE7 - 2RN18 - PG	2		1916-069	P.G. 13,5	
BZE7-2RN18-PG11	1		MS-1686	PG 11	