

CLIFF

ILLUMINATED ENCODERS & KNOBS



Illuminated shaft encoders when used with our various translucent knobs, can enhance the appearance of many kinds of electronic product.

Options / Combinations

- Single colour LED
- Dual colour LED
- RGB version - Variable colour output
- Horizontal or Vertical PCB mounting.
- Standard shaft 6mm knurled / 18T.
- 24 pulses / Rev
- RoHS / REACH compliant.
- With or without indent (click)
- With or without push switch (momentary)

Encoder Details

Horizontal Type, Single colour without switch.

Blue	FC4565L
Red	FC4565R
Green	FC4565G

Vertical Type, Single colour without switch.

Blue	FC4560L
Red	FC4560R
Green	FC4560G

Horizontal Type, Dual colour with switch.

Blue/Green	FC4566LG
Red/Green	FC4566RG
Blue/Orange	FC4566LO

Vertical Type, Dual colour with switch.

Blue/Green	FC4561LG
Red/Green	FC4561RG
Blue/Orange	FC4561LO
Red/Green/Blue	FC4561RGB

Non standard LED colours subject to minimum lot qtys.

Knob Details

CL170976 - Knob K85 Translucent 6mm SPL

CL179761 - Translucent Cap

CL179762 - Translucent Cap with black marker line

CL179763 - Water Clear Cap

Other cap colours are available, either plain or with a marker line.
Enquire to sales.



Cliff Electronic Components, Ltd.

76 Holmethorpe Avenue, Holmethorpe Ind. Est.

Redhill, Surrey RH1 2PF. England

Tel: +44 (0) 1737 771375

Fax: +44 (0) 1737 766012

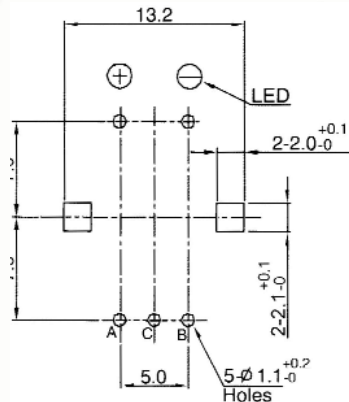
Email: sales@cliffuk.co.uk



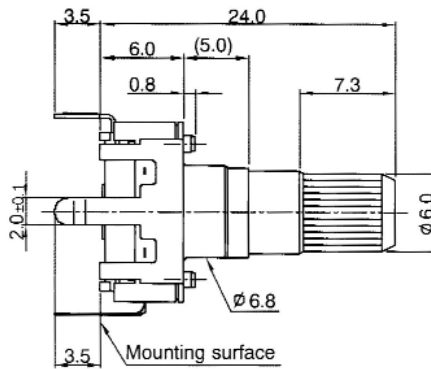
Visit us online at:

www.cliffuk.co.uk

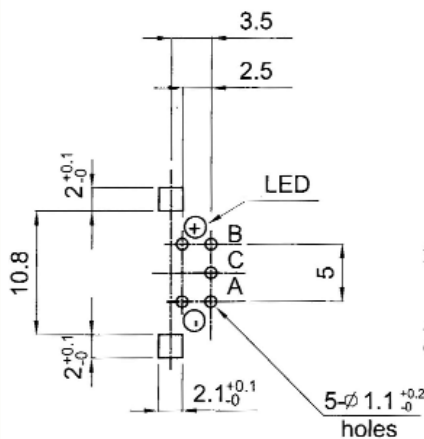
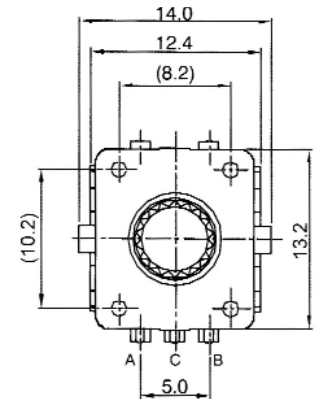
CLIFF



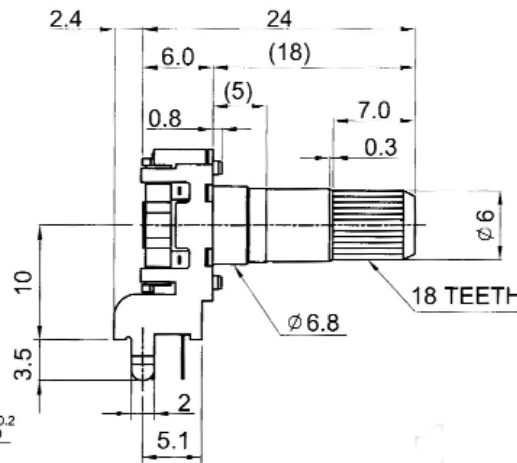
Mounting holes detail viewed from mounting side
P.C.B t=1.6mm



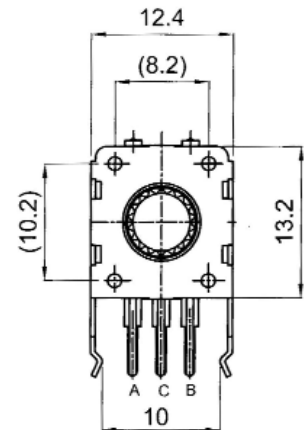
VERTICAL TYPE - SINGLE COLOUR



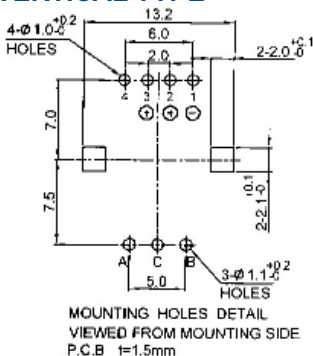
P.W.B MOUNTING DETAIL
(TOLERANCE±0.1)
VIEWED FROM MOUNTING SIDE
(P.C.B) t=1.6mm



HORIZONTAL TYPE - SINGLE COLOUR

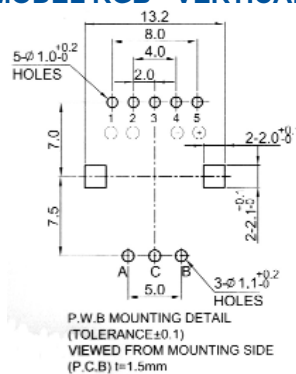


DUAL COLOUR PCB LAYOUT VERTICAL TYPE



MOUNTING HOLES DETAIL
VIEWED FROM MOUNTING SIDE
P.C.B t=1.5mm

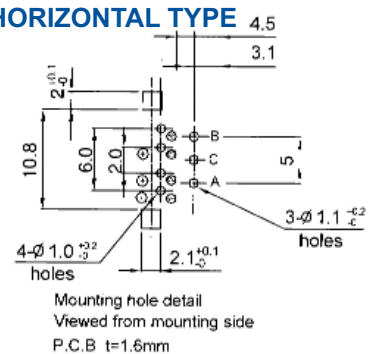
VARIABLE COLOUR PCB LAYOUT MODEL RGB - VERTICAL TYPE



P.W.B MOUNTING DETAIL
(TOLERANCE±0.1)
VIEWED FROM MOUNTING SIDE
(P.C.B) t=1.5mm

(encoder dims same as single colour)

DUAL COLOUR PCB LAYOUT HORIZONTAL TYPE



Mounting hole detail
Viewed from mounting side
P.C.B t=1.6mm

Specification

Pulses: 24 / Rev
Contact Rating: 0.5mA 5VDC
Dielectric Strength: 300VAC / 1mA, 1 minute
Insulation Resistance: 100MΩ at 250VAC
Operating Speed (MAX): 60 RPM
Switch Power Rating: (where fitted) 5VDC 10mA
Switch Contact Resistance: 100mΩ Max.

For detailed electrical / mechanical specs., contact sales for PDF.

LED characteristics

Test Conditions TF=20mA

Emitted Colour	Power Dissipation	DC Forward Current	Forward voltage (V)	
			Typical	Max
Red	58mW	25mA	1.8	2.6
Green/Red	120/75mW	30mA	3.2/1.9	4.0/2.5
Blue	80mW	20mA	3.2	3.6
Blue/Orange	105/75mW	30mA	3.3/2.1	4.0/2.5
Green	63mW	25mA	3.2	3.6
Blue/Green	120/120	30mW	3.3/3.2	4.0/4.0

For further information, contact sales@cliffuk.co.uk