

heavy|mate - C146 M Socket module (for turned 3,6 mm contacts)

Part No. C146 B02 801 E8

Series Heavy duty connectors heavy|mate - C 146

Subseries Heavy duty connector heavy|mate - C146 M



Abbildung stellvertretend für alle verfügbaren Polzahlen.

COMMON CHARACTERISTICS		
No. of contacts		2
Sex of Contact		Socket
ELECTRICAL CHARACTERISTICS		
Rated voltage	DIN EN 60664-1 / IEC 60664-1	1000V
Rated impulse voltage	DIN EN 60664-1 / IEC 60664-1	8000V
Voltage proof	DIN EN 60512-2, Test 4a / IEC 60512-2, Test 4a	1000V
Installation category	DIN EN 60664-1 / IEC 60664-1	III
Insulation group	DIN EN 60664-1 / IEC 60664-1	II
Insulation resistance	DIN EN 60512-2, Test 3a / IEC 60512-2, Test 3a	$\geq 10^{12}$
Contact resistance	DIN EN 60512-2, Test 2a / IEC 60512-2 Test 2a	< 5 m
Current carrying capacity	DIN EN 60512-3, Test 5b / IEC 60512-2 Test 5b	see derating curves
Pollution degree	DIN EN 60664-1 / IEC 60664-1	3
CLIMATICAL CHARACTERISTICS		
Temperature range		-40/+125
Upper temperature		125
Lower temperatur		-40
MECHANICAL CHARACTERISTICS		
IP degree of protection	DIN EN 60529 / IEC 60529	IP20 unmated
Mechanical lifetime		≥ 500 mating cycles
MATERIALS		
Insert		PA
Colour		black
FURTHER CHARACTERISTICS		
Termination		crimp
Wire gauge		16 mm ²
Wire gauge (AWG)		6
Flammability	UL 94	V-0

heavy|mate - C146 M Socket module (for turned 3,6 mm contacts)

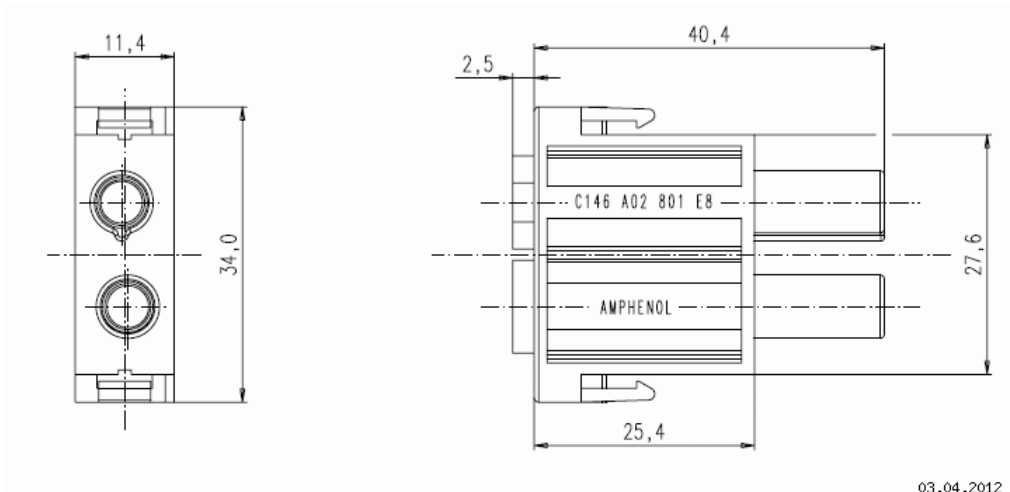
Part No. C146 B02 801 E8

Series Heavy duty connectors heavy|mate - C 146

Subseries Heavy duty connector heavy|mate - C146 M



Abbildung stellvertretend für alle verfügbaren Polzahlen.



Maßzeichnung Dimensions in mm (Inch)

03.04.2012