

Turned contacts turned crimp male contact for wire gauge 16 - 15

Part No. VN 01 016 0027 (1)C



Series Contacts

Subseries Contact Turned contacts

COMMON CHARACTERISTICS

Wire gauge from		1,5
Wire gauge (AWG) from		16
Wire gauge (AWG) to		15
Packaging / supplied as		Single contact
No. of pieces		100
Sex of Contact		Pin
Type of contact		Turned crimp contact

CLIMATICAL CHARACTERISTICS

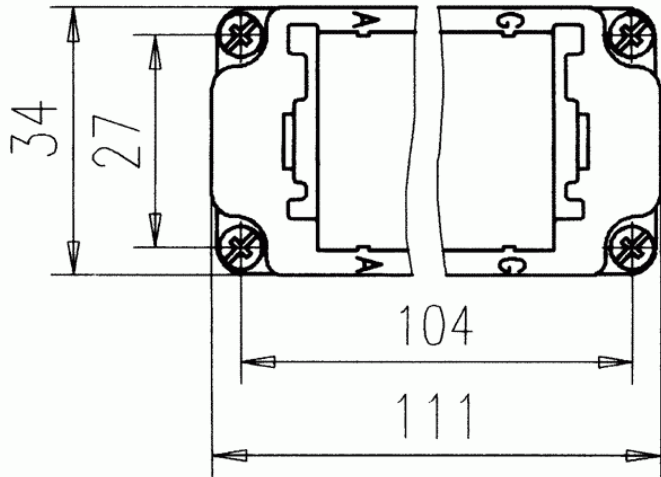
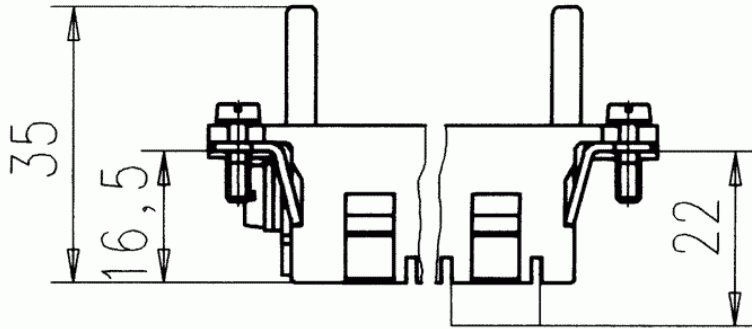
Upper temperature		+ 125 °C
Lower temperatur		- 40 °C

Turned contacts turned crimp male contact for wire gauge 16 - 15

Part No. VN 01 016 0027 (1)C

Series Contacts

Subseries Contact Turned contacts



Ma zeichnung Dimensions in mm (Inch)

20.09.2007