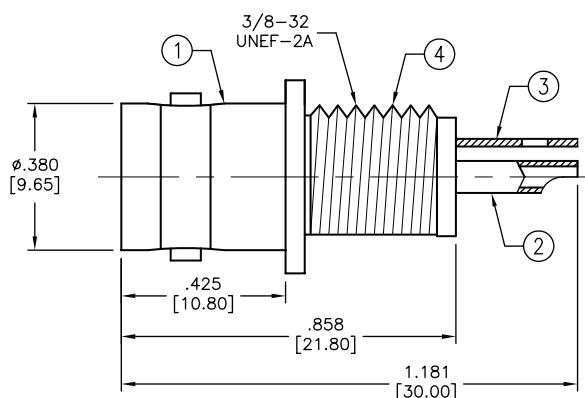
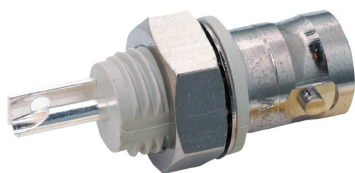


BNC Coaxial Connector

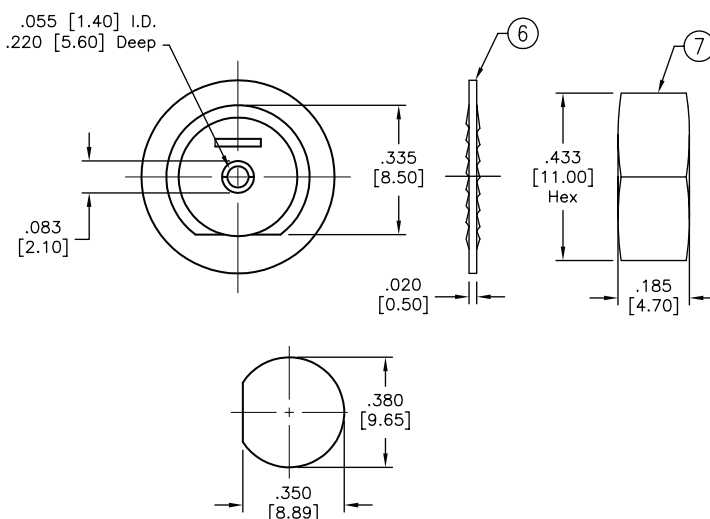


Specifications:

- Impedance: 50Ω
- Frequency Range: 0-4 GHz
- Working Voltage: 500V RMS @ Sea Level
- For RG-174, 188, 188A, 316/U, ALPHA 9174, 9316, BELDEN 8216, 83269, 83284, 84316 & TIMES LMR-100A Cable
- For RG-58, 58A, 58C, 141, 141A, BELDEN 8240, 8262, 9201, 9203, 9310, 9311 & COMM/SCOPE 0268
- For RG-59, 59A, 59B, 62, 62A, 62C 71, 140 & 210/U, BELDEN 8221, 8241, 8241A, 8254, 8255, 8263, 9169, 9204, 9228, 9244, 9269 & 9862 Cable
- For BELDEN 8281, 8281B, 8281F, 9231 & WE 724 Cable
- For Antenna Specialist K214 & PRO-FLEX 800 & TIMES AA3096 Cable
- For RG-8X, BELDEN 9258, MAXRAD M8X-100 & M8X-1000, MICRO 8/U, REMEE 1600, SAXTON 8315 & TIMES LMR-240 & LMR-240 ULTRAFLEX Cable



Dimensions : Inches (Millimeters)



Item#	Description	Qty	Material	Finish
1	Body	1	Brass, Nickel, 80μ"	
2	Contact	1	Brass	Gold, 3μ"
3	Terminal	1	Brass	Tin
4	Dielectric	1	ABS	---
5	Press Washer	1	Brass	Nickel, 80μ"
6	Lock Washer	1	Brass	Nickel, 80μ"
7	Hex Nut	1	Brass	Nickel, 80μ"

Recommended Mounting Configuration

Part Number Table

Description	Part Number
BNC Jack, Bulkhead, Front Mount w/Insulated Body	SPC11227

Important Notice : This data sheet and its contents (the "Information") belong to the members of the Premier Farnell group of companies (the "Group") or are licensed to it. No licence is granted for the use of it other than for information purposes in connection with the products to which it relates. No licence of any intellectual property rights is granted. The Information is subject to change without notice and replaces all data sheets previously supplied. The Information supplied is believed to be accurate but the Group assumes no responsibility for its accuracy or completeness, any error in or omission from it or for any use made of it. Users of this data sheet should check for themselves the Information and the suitability of the products for their purpose and not make any assumptions based on information included or omitted. Liability for loss or damage resulting from any reliance on the Information or use of it (including liability resulting from negligence or where the Group was aware of the possibility of such loss or damage arising) is excluded. This will not operate to limit or restrict the Group's liability for death or personal injury resulting from its negligence. Multicomp is the registered trademark of the Group. © Premier Farnell plc 2012.

www.element14.com
www.farnell.com
www.newark.com

