

# Versatile power entry module

# FN 380

- Up to 6A current ratings
- IEC 950-compliant (twin fuse configurations only)
- For one or two fuses (Ø5 x 20 or Ø6.3 x 32mm)
- General-purpose application
- Nennstrom bis 6A
- IEC 950 konform (nur Konfigurationen mit zwei Sicherungen)
- Für eine oder zwei Sicherungen (Ø5 x 20mm oder Ø6,3 x 32mm)
- Universeller Einsatz
- Courants de service pouvant atteindre 6A
- Conforme à CEI 950 (uniquement pour les configurations à deux fusibles)
- Pour un ou deux fusibles (Ø5 x 20mm ou Ø6,3 x 32mm)
- Applications universelles



## Filter selection table

Choose the family FN xxx with the required body style and features, and add -?? to determine current rating. Example: FN 388-2 is a horizontal screw-mounting filter for twin fuses, rated for 2A, with mini fast-on outputs.

## Approvals



Family	Current ratings A at 40°C (25°)			Housing style		For fuse(s) Nbr.	Weight g
	2 (2.4)	4 (4.8)	6 (7.2)				
FN 380 -?? /..	-2	-4	-6			1	55
FN 382 -?? /..	-2	-4	-6			2	55
FN 386 -?? /..	-2	-4	-6			1	55
FN 388 -?? /..	-2	-4	-6			2	60
Inductance L mH							
	0.7	0.3	0.18				

Family	Current ratings A at 40°C (25°)			Housing style		For fuse(s) Nbr.	Weight g
	2 (2.4)	4 (4.8)	6 (7.2)				
FN 385 -?? /..	-2	-4	-6			2	65
FN 389 -?? /..	-2	-4	-6			2	70
Inductance L mH							
	2	0.8	0.5				

## Additional specifications

Filter type	Capacitance		Maximum leakage µA/phase	Res. R MΩ	Maximum operating volt.		Operating frequency Hz	Hipot test voltage	
	Cx nF	Cy nF			VAC	Hz		PN→E VAC	P→N VAC
All standard types	47	2.2	210		250	50/60	50 to 400	2000	760
FN 389B types (medical)	47		2	1	250	50/60	50 to 400	2500	760

MTBF at 40°C, 230V, per Mil-HB-217F: 550,000 hours

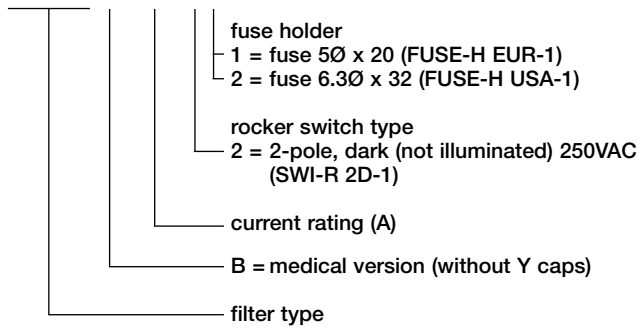
B types are optional

## Filter selection: additional specifications

### Ordering information:

The filters of this family can be ordered as standard, fully mounted products (excluding the fuse) as follows:

### FN 389 & - 6 / x y



### Fuse holder description

Fuse Holder	Part no.	Size
1	FUSE-H-EUR-1	5 x 20mm
2	FUSE-H-USA-1	6.3 x 32mm

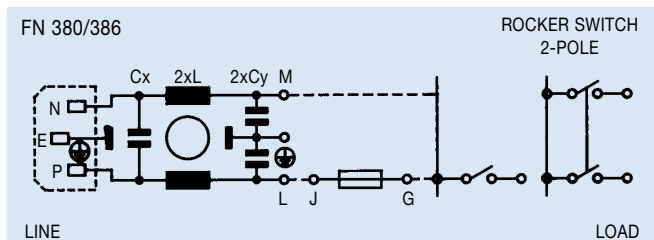
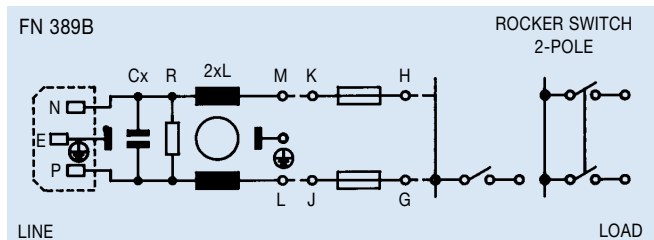
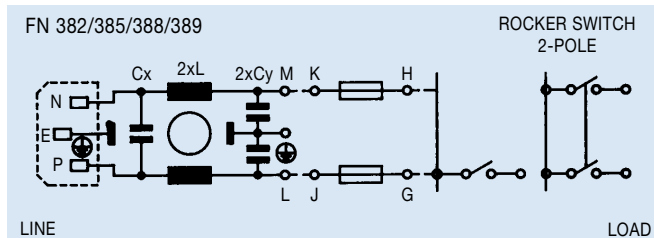
### Rocker switch description

Rocker switch type	Part no.	Function	2-pole, dark	2-pole, illuminated, 100-250 VAC*
2	SWI-R 2D-1	2-pole, dark (not illuminated) 250VAC	Rated current: 6 (4)A/250V  50,000 on-off operations	Rated current: 6 (2)A/250V  10,000 on-off operations • full illumination at 100VA • max. operating temperature for red: 65°C

Values in ( ) relate to the inductive current charge,  $\cos \gamma = 0.65$

\* Attention: illuminated rocker switch only available on special request

## Electrical schematics

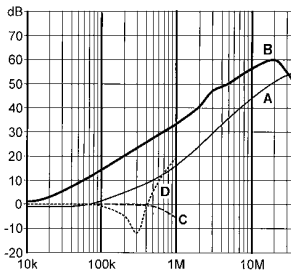


See tables for component values

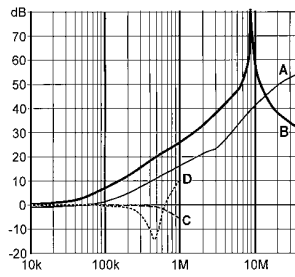
## FN 380 insertion loss

Per CISPR 17; A = 50Ω/50Ω sym, B = 50Ω/50Ω asym, C = 0.1Ω/100Ω sym, D = 100Ω/0.1Ω sym

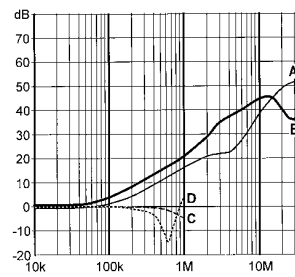
### 2 amp types (FN 380/382/386/388)



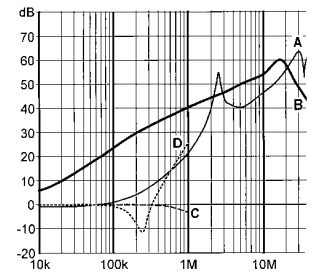
### 4 amp types (FN 380/382/386/388)



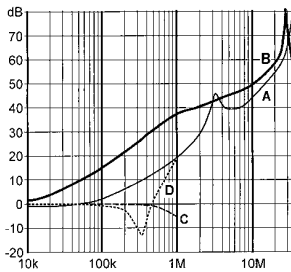
### 6 amp types (FN 380/382/386/388)



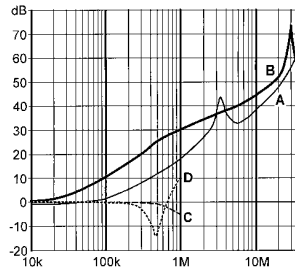
### 2 amp types (FN 385/389)



### 4 amp types (FN 385/389)



### 6 amp types (FN 385/389)



## Mechanical data / electrical connection summary

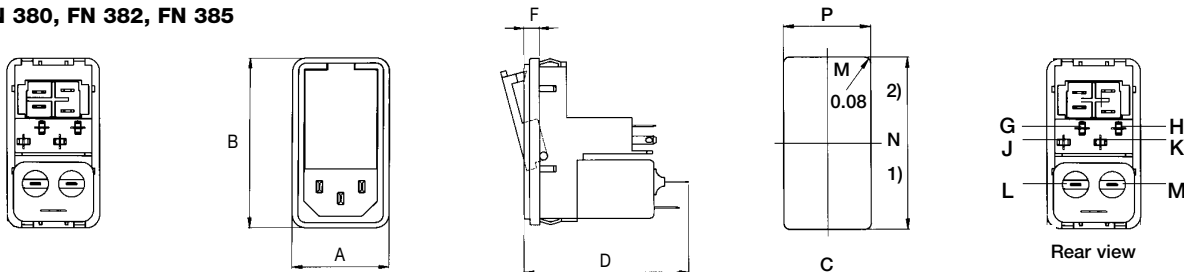
	FN 380/82	FN 385	FN 386/88	FN 389	Tol. mm
<b>A</b>	32		50		± 0.3
<b>B</b>	58				± 0.3
<b>C</b>	40				± 0.1
<b>D</b>	56.5	66.5	56.5	66.5	-
<b>F</b>	5.5				-
<b>H</b>	Ø3.3				-
<b>M</b>	R≤2				± 0.1
<b>N</b>	55.9 <sup>(1)</sup> - 56.2 <sup>(2)</sup>				+0.2 -0
<b>P</b>	28.5				+0.2 -0
<b>R</b>	M3				-
<b>S</b>	90°				-

<sup>(1)</sup> Wall thickness 0.8mm to 2.0mm <sup>(2)</sup> Wall thickness 2.1mm to 3.2mm

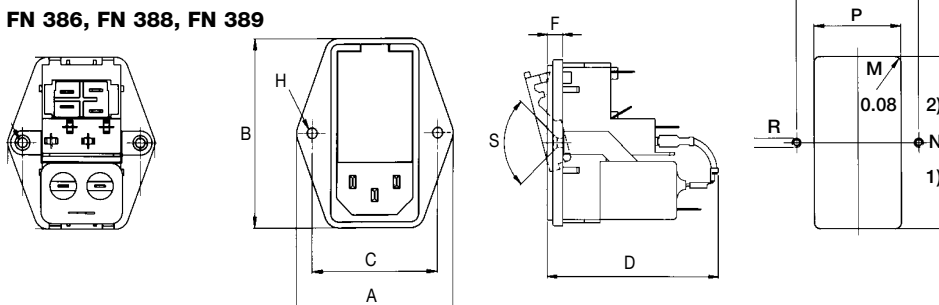
### Thickness of mounting panels

1) 0.8 - 2.0mm	55.9 <sup>+0.2</sup> -0
2) 2.1 - 3.2mm	56.2 <sup>+0.2</sup> -0

### FN 380, FN 382, FN 385



### FN 386, FN 388, FN 389



All dimensions in mm; 1 inch = 25.4mm