

# SPDT Switch Body



## Specifications:

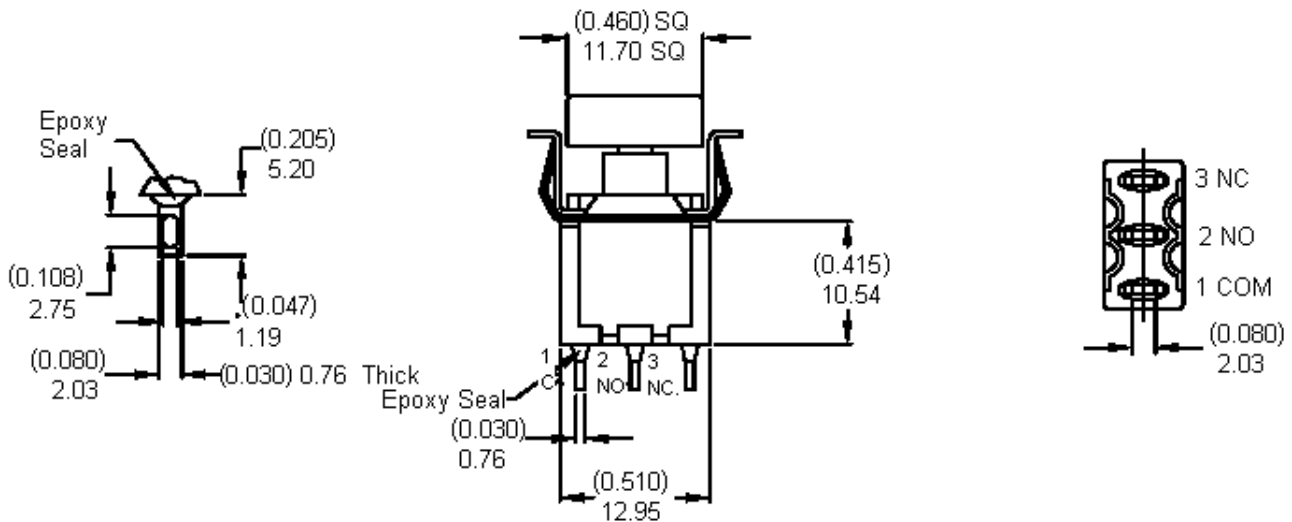
Electrical Life	: 50,000 make-and-break cycles at full load
Contact Resistance	: 20mΩ maximum initial at 2 - 4V DC, 100mA for both silver and gold plated contacts
Dielectric Strength	: 1,000VRMS at sea level
Operating Temperature	: -30°C to 85°C

## Materials:

Case	: Dially phthalate (DAP)
Plunger	: Glass filled nylon or glass filled polyester
Bushing	: Brass, nickel plated
Housing	: Stainless steel
Terminal/Contact	: Silver or gold plated

## Rating:

R	: 0.4 Volt-Amps (VA) maximum at 20V maximum (AC or DC)
Q	: 1 Amp at 250V AC 3 Amps at 120V AC or 28V DC



Dimensions : Millimetres (Inches)



# SPDT Switch Body



## Switch Function

Model Number	Position 1	Position 2
7MS7	ON	MOM
Terminal Common	1-3	1-2
SCHEMATIC		

## Part Number Table

Description	Minimum Insulation Resistance (MΩ)	Part Number
Switch Body, SPDT	1000	7MS7A2000M1QE

**Important Notice :** This data sheet and its contents (the "Information") belong to the members of the Premier Farnell group of companies (the "Group") or are licensed to it. No licence is granted for the use of it other than for information purposes in connection with the products to which it relates. No licence of any intellectual property rights is granted. The Information is subject to change without notice and replaces all data sheets previously supplied. The Information supplied is believed to be accurate but the Group assumes no responsibility for its accuracy or completeness, any error in or omission from it or for any use made of it. Users of this data sheet should check for themselves the Information and the suitability of the products for their purpose and not make any assumptions based on information included or omitted. Liability for loss or damage resulting from any reliance on the Information or use of it (including liability resulting from negligence or where the Group was aware of the possibility of such loss or damage arising) is excluded. This will not operate to limit or restrict the Group's liability for death or personal injury resulting from its negligence. Multicomp is the registered trademark of the Group. © Premier Farnell plc 2012.

