

# Fakra D - U.FL Cable

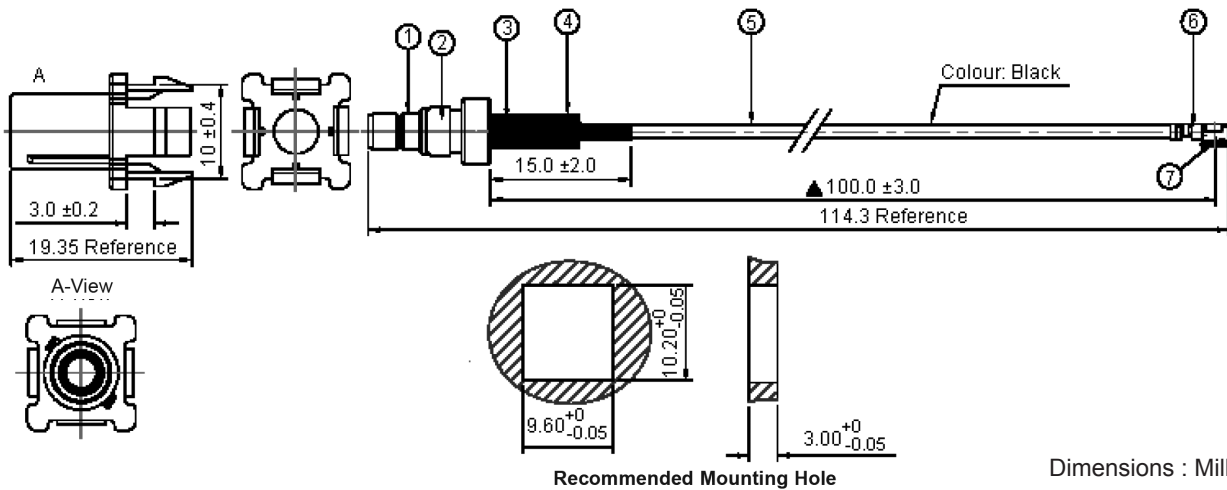
## 100mm



### Specifications:

#### Electrical Performance:

Impedance	: 50Ω
Frequency range	: DC to 1.6GHz
Maximum working voltage	: 60V rms
Minimum dielectric withstanding voltage	: 200V rms
Minimum insulation resistance	: 500MΩ



Dimensions : Millimetres

### Part Number Table

Item	Description	Part Number
1	Fakra Code C B/H Plug, Crimp Type, For Ø1.37mm Cable	R-FC31G7210100C
2	Insulation for R-FC32201-F	
3	R-FC32201-F Inner Ferrule for Ø1.37 Cable	
4	Heat Shrink Tube F32, Ø2.5mm, L = 15mm, Colour: Black	
5	Ø1.37mm Cable, Tin Plated, Colour: Black	
6	U.FL-LP-088 Shell for Ø1.37mm Cable	
7	U.FL-088 Contact for Ø1.37mm Cable	

**Important Notice** : This data sheet and its contents (the "Information") belong to the members of the Premier Farnell group of companies (the "Group") or are licensed to it. No licence is granted for the use of it other than for information purposes in connection with the products to which it relates. No licence of any intellectual property rights is granted. The Information is subject to change without notice and replaces all data sheets previously supplied. The Information supplied is believed to be accurate but the Group assumes no responsibility for its accuracy or completeness, any error in or omission from it or for any use made of it. Users of this data sheet should check for themselves the Information and the suitability of the products for their purpose and not make any assumptions based on information included or omitted. Liability for loss or damage resulting from any reliance on the Information or use of it (including liability resulting from negligence or where the Group was aware of the possibility of such loss or damage arising) is excluded. This will not operate to limit or restrict the Group's liability for death or personal injury resulting from its negligence. Multicom is the registered trademark of the Group. © Premier Farnell plc 2012.

www.element14.com  
www.farnell.com  
www.newark.com

