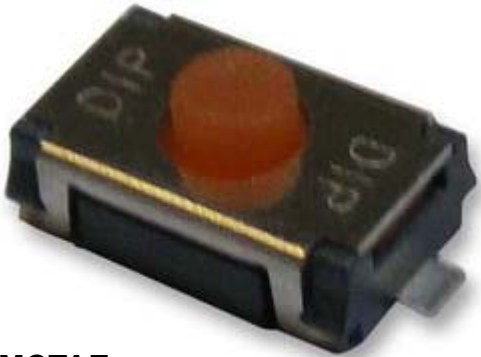
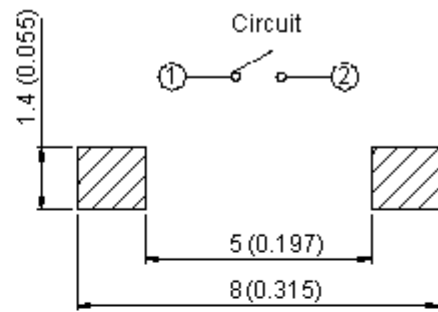
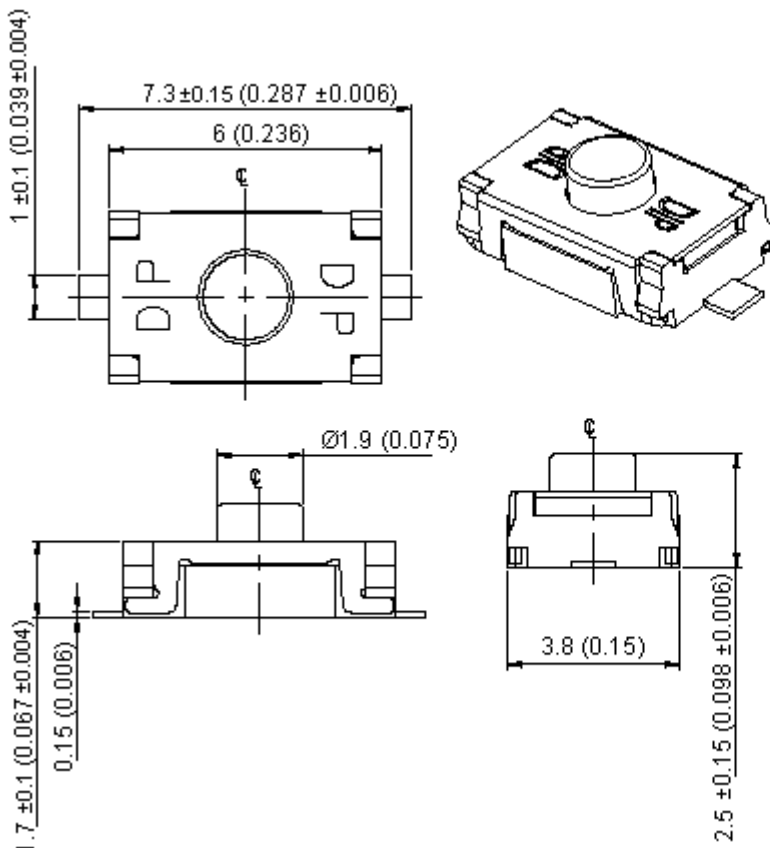


Tactile Switch

Thin Type



MCTAE



PCB Layout
(View from the Direction A)

Specifications:

Dimensions : Millimetres (Inches)

Mechanical

Operating Force	: N : 200 gf
	R : 300 gf
	S : 450 gf
Stroke	: N : 0.30 ± 0.15 mm
	R : 0.35 ± 0.15 mm
	S : 0.45 ± 0.15 mm
Operating Temperature	: -40°C to +85°C
Storage Temperature	: -40°C to +85°C

Tactile Switch

Thin Type

Specifications:

Electrical

Electrical Life	: N : 200,000 cycles R : 200,000 cycles S : 100,000 cycles
Rating	: 25 mA, 24 V dc
Maximum Contact Resistance	: 100 MΩ
Minimum Insulation Resistance	: 100 MΩ
Dielectric Strength	: 300 V ac / 1 minute

Materials

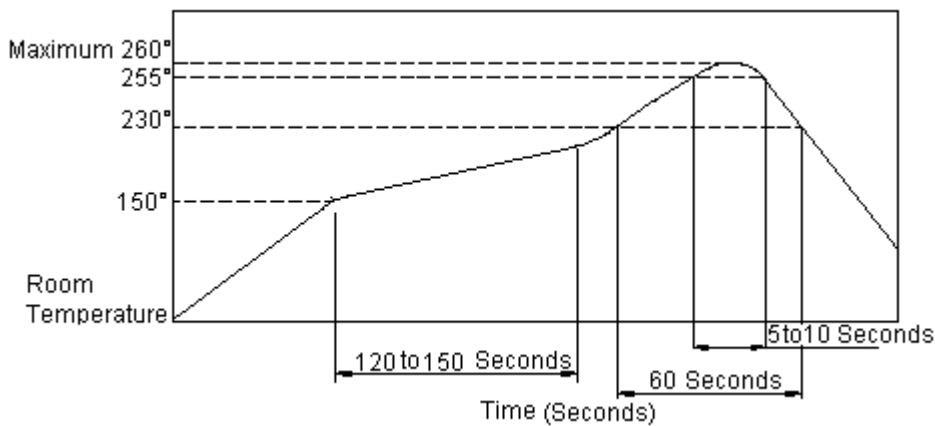
Cover	: Stainless steel
Stem	: Rubber
Colour	: Black
Dome	: Stainless steel with silver plating
Base	: LCP high-temperature thermoplastic
Colour	: Black
Terminal	: Phosphor bronze, with silver plating

Soldering Process

Hand Soldering : Use a soldering iron of 30 watts, controlled at 350°C approximately maximum 5 seconds

Reflow Soldering : When applying reflow soldering, the peak temperature or the reflow oven should be set to 260°C maximum

Reflow Temperature Profile



Part Number Table

Description	Part Number
Switch, Tactile, SMD	MCTAEF-25N-V
Switch, Tactile, SMD	MCTAEF-25R-V
Switch, Tactile, SMD	MCTAEF-25S-V

