

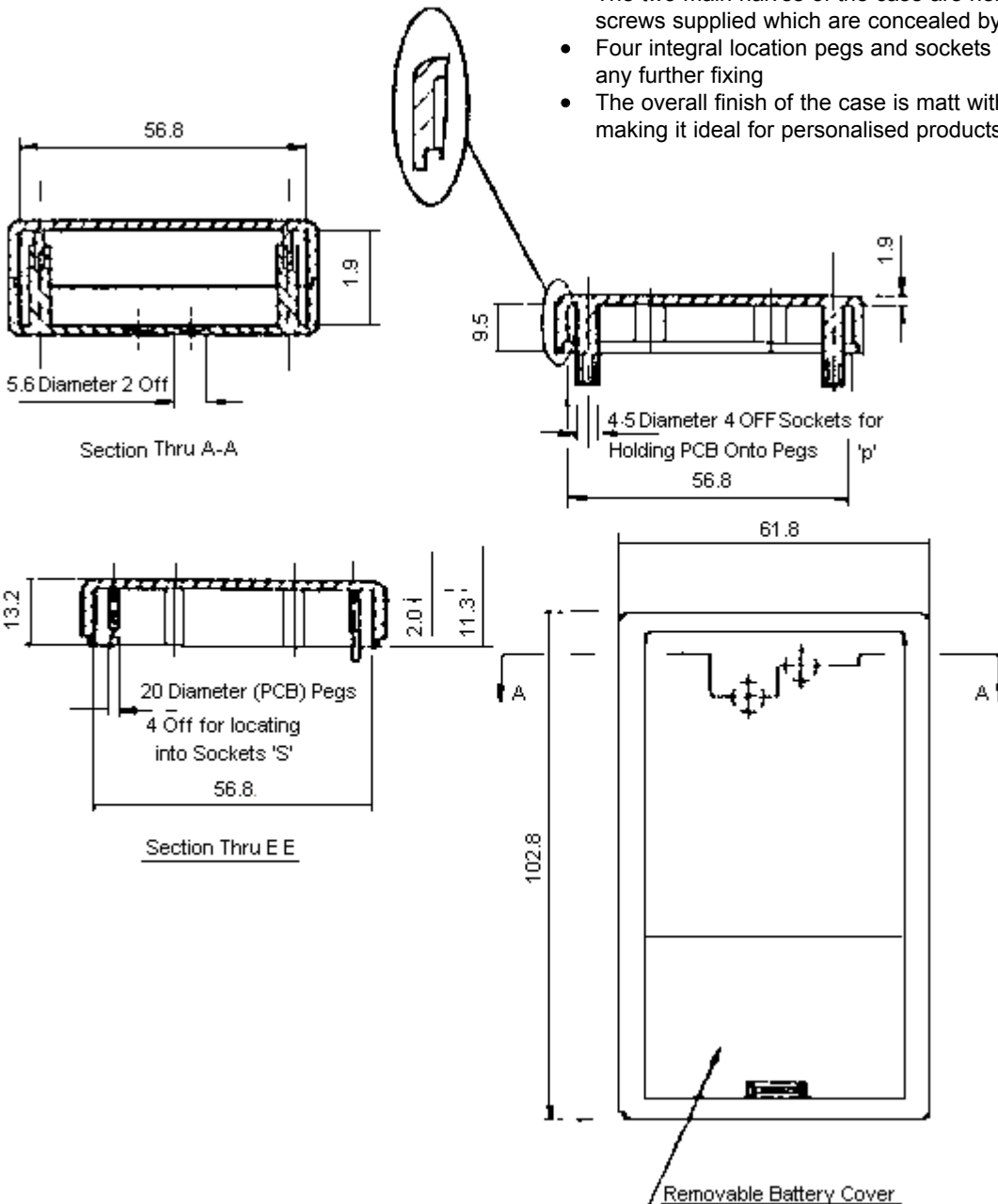
Miniature Case

BC2 Series



Features:

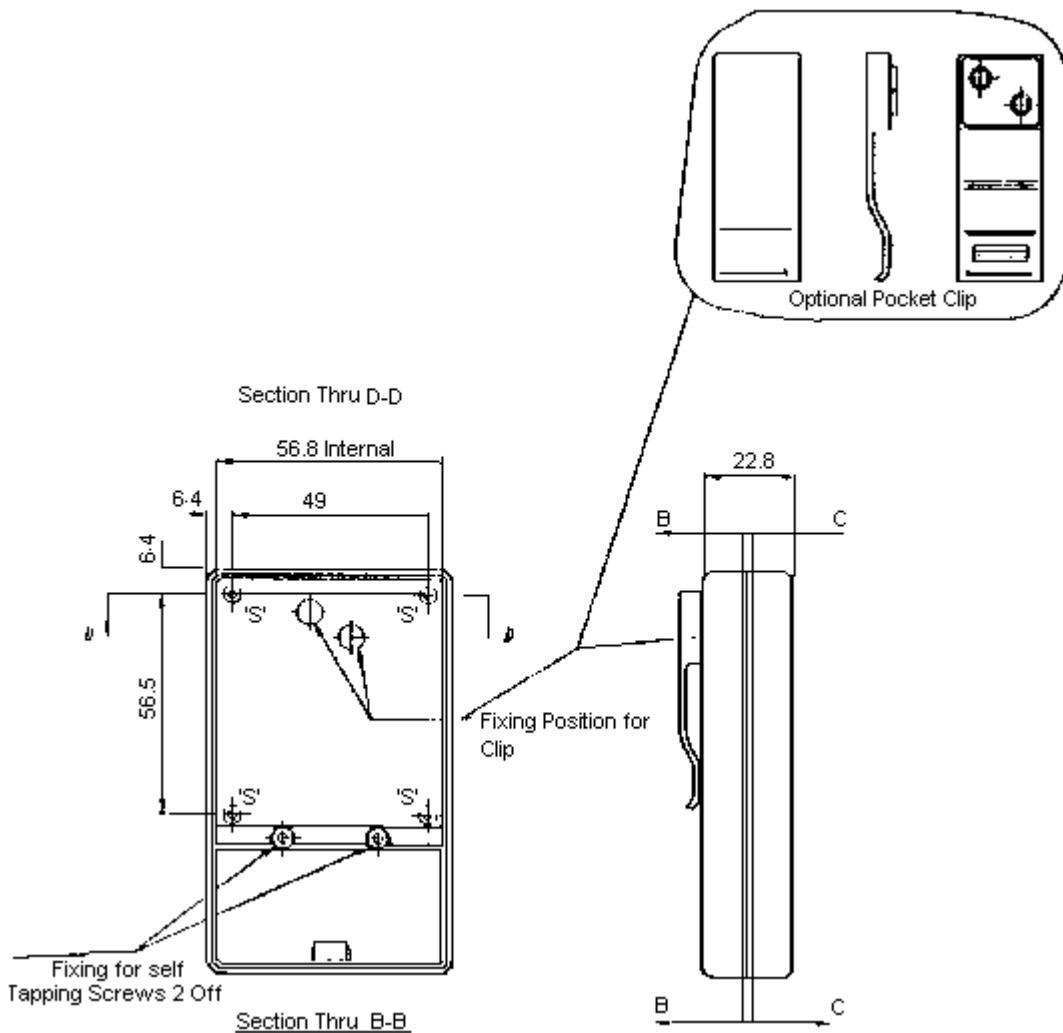
- Hand held case with battery compartment and battery clip / pocket clip option
- Moulded in high-impact black, white or grey ABS with integral PP3 battery compartment accessible by a separate removable cover
- Clip-in battery terminals are supplied as standard
- Textured finish
- No visible fixing screws for excellent final product appearance
- The pocket clip, if required, can be easily fixed to the case by the two self-tapping screws supplied
- The two main halves of the case are held together by the two self-tapping screws supplied which are concealed by the battery cover
- Four integral location pegs and sockets will hold a PCB in place without any further fixing
- The overall finish of the case is matt with highlighted feature panels making it ideal for personalised products



Dimensions : Millimetres

Miniature Case

BC2 Series



Dimensions : Millimetres

ABS Polymers Specification Acrylonitrile-Butadiene-Styrene

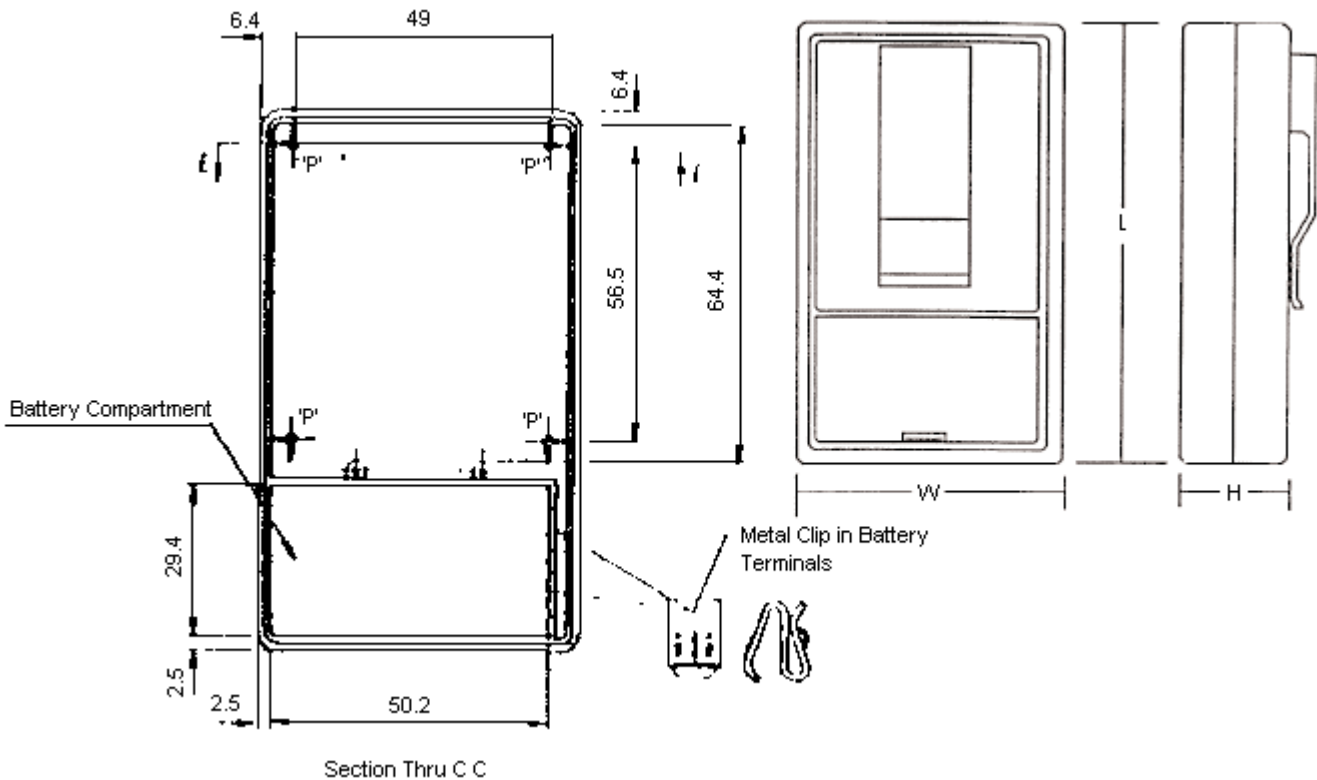
Properties	Test Method	Unit	Impact Resistant Grades
			103
Izod Impact Strength +23°C -20°C	ISO 180/3A ASTM D256/A	kJ / m ²	17 11
Tensile Strength at Yield	ISO R527 ASTM D638	N / mm ²	50
Elongation at Yield	ISO R527 ASTM D638	%	6
Flexural Strength	ISO 178 ASTM D790	N / mm ²	87
Rockwell Hardness	ISO 2039/2 ASTM D785	R Scale	112
Heat Deflection Temperature Unannealed	ISO 75/A ASTM D648	°C	90
Heat Deflection Temperature Annealed			97
Vicat Softening Temperature	ISO 306/B ASTM D1525	°C	97

Miniature Case

BC2 Series



Properties	Test Method	Unit	Impact Resistant Grades
			103
Density	ISO R1183 ASTM D792/A	kg / m ³	1,050
Melt Flow Index	ISO 1133 ASTM D1238	dg / min	13



Dimensions : Millimetres

Specification Table

Colour	External Dimensions				Part Number
	Length (L)	Width (W)	Height (H)	Maximum PCB Size	
Black	103	62	23	64 × 56	BC2
Grey (RAL9002)					BC2LG
White					BC2W

Dimensions : Millimetres

Important Notice : This data sheet and its contents (the "Information") belong to the members of the Premier Farnell group of companies (the "Group") or are licensed to it. No licence is granted for the use of it other than for information purposes in connection with the products to which it relates. No licence of any intellectual property rights is granted. The Information is subject to change without notice and replaces all data sheets previously supplied. The Information supplied is believed to be accurate but the Group assumes no responsibility for its accuracy or completeness, any error in or omission from it or for any use made of it. Users of this data sheet should check for themselves the Information and the suitability of the products for their purpose and not make any assumptions based on information included or omitted. Liability for loss or damage resulting from any reliance on the Information or use of it (including liability resulting from negligence or where the Group was aware of the possibility of such loss or damage arising) is excluded. This will not operate to limit or restrict the Group's liability for death or personal injury resulting from its negligence. Multicomp is the registered trademark of the Group. © Premier Farnell plc 2012.