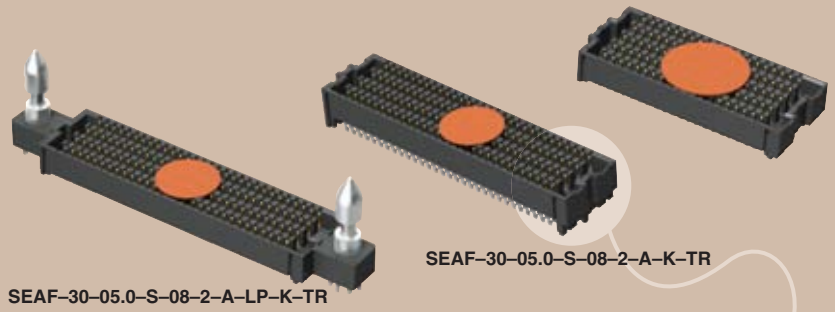




(1,27mm) .050"

SEAF SERIES



HIGH SPEED/HIGH DENSITY OPEN PIN FIELD

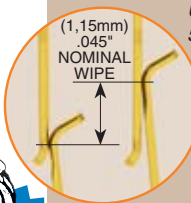
SPECIFICATIONS

For complete specifications and recommended PCB layouts see www.samtec.com?SEAF

- Insulator Material:** Black LCP
- Contact Material:** Copper Alloy
- Solder Charge:** 95.5% Sn, 3.8% Ag, 0.7% Cu (Tin/Lead also available. Call Samtec.)
- Operating Temp Range:** -55°C to +125°C
- Plating:** Au or Sn over 50µ" (1,27µm) Ni
- Contact Resistance:** 5.5 mΩ
- Working Voltage:** 240 VAC
- RoHS Compliant:** Yes
- Lead-Free Solderable:** Yes



Mates with:
SEAM, SEAMP,
SEAR, SEAMI,
SEAC (Requires -LP)



Up to 500 Pins

5, 8 and 10 row footprint compatible with SamArray®. Samples recommended.

Solder charges

SEAM/SEAF 7mm Stack Height	Rated @ 3dB Insertion Loss	
	with PCB effects*	w/o PCB effects**
Single-Ended Signaling	9.5 GHz / 19 Gbps	12.5 GHz / 25 Gbps
Differential Pair Signaling	10.5 GHz / 21 Gbps	13 GHz / 26 Gbps

*Performance data includes effects of a non-optimized PCB.
**Test board losses de-embedded from performance data.
Performance data for other stack heights and complete test data available at www.samtec.com?SEAF or contact sig@samtec.com

CURRENT RATING	
AMBIENT TEMP	SEAM/SEAF
20°C	2.3A
40°C	2A
60°C	1.75A
95°C	1.14A

30 ADJACENT POSITIONS POWERED

Industry Standards

- PI5MO 2
- VITA 47
- VITA 57

Protocols Supported

- Fibre Channel
- Rapid I/O
- PCI Express®
- SATA
- InfiniBand™

Download app notes at www.samtec.com/appnote
Contact SIG @ samtec.com for questions on protocols

SEAF - NO. PINS PER ROW - LEAD STYLE - PLATING OPTION - NO. OF ROWS - 2 - A - OPTION - K - TR

Specify LEAD STYLE from chart

- 10, -15, -20, -30, -40, -50
(-10 only available in 04 row)
(-15 only available in 10 row)
- L = 10µ" (0,25µm) Gold on contact area, Matte Tin on solder tail
- S = 30µ" (0,76µm) Gold on contact area, Matte Tin on solder tail
- 04 = Four Rows
- 05 = Five Rows
- 06 = Six Rows
- 08 = Eight Rows
- 10 = Ten Rows
- 2 = Lead-Free Solder Charge
- LP = Latch Post (-LP required for SEAC mate only) (Available with -05.0 lead style and -04, -05, -08 & -10 rows only)

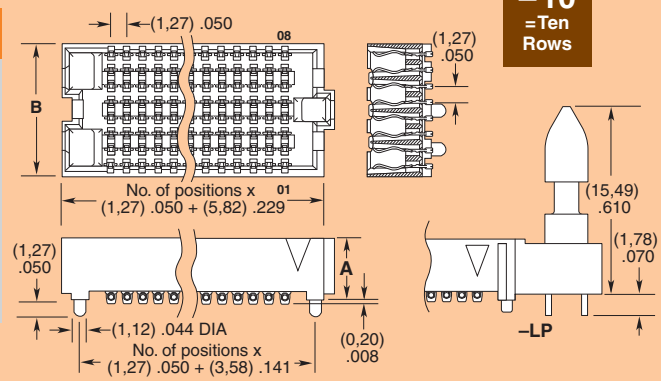
LEAD STYLE	A	NO. OF ROWS	B
-05.0	(5,05) .199	-04	(5,61) .221
-06.0	(6,05) .238	-05,-06	(8,20) .323
-06.5	(6,55) .258	-08	(10,69) .421
		-10	(13,23) .521

ELP™
EXTENDED LIFE PRODUCT

10 year Mixed Flowing Gas with 30µ" Gold
Call Samtec for maximum cycles mated with SEAM

DIFFERENTIAL

ARRAY	PAIR COUNT
40x8	80
40x6	60
30x10	75
30x8	60
30x6	45
20x10	50
20x8	40
20x5	25



MATED HEIGHTS

SEAM LEAD STYLE	SEAF LEAD STYLE		
	-05.0	-06.0	-06.5
-02.0	7mm	8mm	8.5mm
-03.0	8mm	9mm	9.5mm
-03.5	8.5mm	9.5mm	10mm
-06.5	11.5mm	12.5mm	13mm
-07.0	12mm	13mm	13.5mm
-09.0	14mm	15mm	15.5mm
-11.0	16mm	17mm	17.5mm

Note: Some sizes, styles and options are non-standard, non-returnable.

Due to technical progress, all designs, specifications and components are subject to change without notice.

WWW.SAMTEC.COM