

PLEASE CHECK WWW.MOLEX.COM FOR LATEST PART INFORMATION

Part Number: [0528370278](#)
Status: **Obsolete**
Description: 0.635mm (.025") Pitch SlimStack™ Receptacle, Surface Mount, Dual Row, Vertical Stacking, 11.00 to 16.00mm (.433 to .630") Stacking Heights, 20 Circuits, Lead-free

Documents:
[Drawing \(PDF\)](#)

General

| | |
|----------------|-----------------|
| Product Family | PCB Receptacles |
| Series | 52837 |
| Application | Board-to-Board |
| Product Name | SlimStack™ |

Physical

| | |
|--------------------------------|-----------------------|
| Circuits (Loaded) | 20 |
| Durability (mating cycles max) | 50 |
| Glow-Wire Compliant | No |
| Mated Height (mm) | 11.00 mm |
| Mated Height (mm) | 12.00 mm |
| Mated Height (mm) | 13.00 mm |
| Mated Height (mm) | 14.00 mm |
| Mated Height (mm) | 15.00 mm |
| Mated Height (mm) | 16.00 mm |
| Material - Metal | Phosphor Bronze |
| Material - Plating Mating | Gold |
| Material - Plating Termination | Tin |
| Number of Rows | 2 |
| Orientation | Vertical |
| PCB Locator | Yes |
| PCB Retention | Yes |
| Packaging Type | Embossed Tape on Reel |
| Pitch - Mating Interface (in) | 0.025 In |
| Pitch - Mating Interface (mm) | 0.64 mm |
| Plating min: Mating (µin) | 10 |
| Plating min: Mating (µm) | 0.25 |
| Plating min: Termination (µin) | 40 |
| Plating min: Termination (µm) | 1 |
| Polarized to PCB | Yes |
| Surface Mount Compatible (SMC) | N/A |
| Temperature Range - Operating | -55°C to +85°C |
| Termination Interface: Style | Surface Mount |

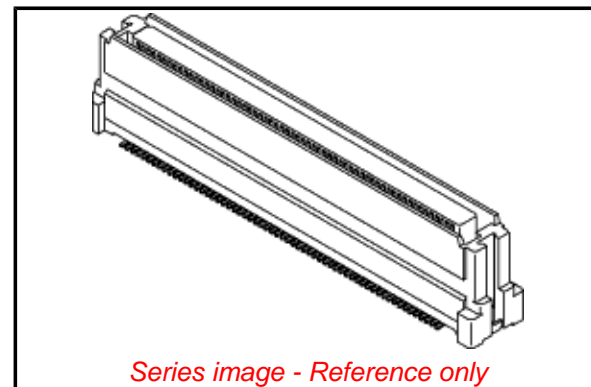
Electrical

| | |
|-------------------|------|
| Current - Maximum | 0.5A |
| Voltage - Maximum | 100V |

Material Info

Reference - Drawing Numbers

| | |
|-----------------------|---------------|
| Product Specification | PS-52760-015 |
| Product Specification | RPS-52760-017 |
| Product Specification | RPS-52760-018 |
| Product Specification | RPS-52760-020 |
| Product Specification | RPS-52760-021 |
| Product Specification | RPS-52760-029 |
| Sales Drawing | SD-52837-002 |
| Sales Drawing | SD-52837-003 |



EU RoHS

ELV and RoHS Compliant
REACH SVHC
 Not Reviewed
Halogen-Free Status

China RoHS



Not Reviewed

Need more information on product environmental compliance?

Email productcompliance@molex.com
 Please visit the [Contact Us](#) section for any non-product compliance questions.

Search Parts in this Series

[52837 Series](#)

Mates With

[55091](#) , [53649](#) , [53643](#) , [53475](#) , [53627](#) , [53553](#) , [53552](#) , [53647](#) , [53551](#) , [53481](#) , [53625](#)

This document was generated on 11/30/2009

PLEASE CHECK WWW.MOLEX.COM FOR LATEST PART INFORMATION