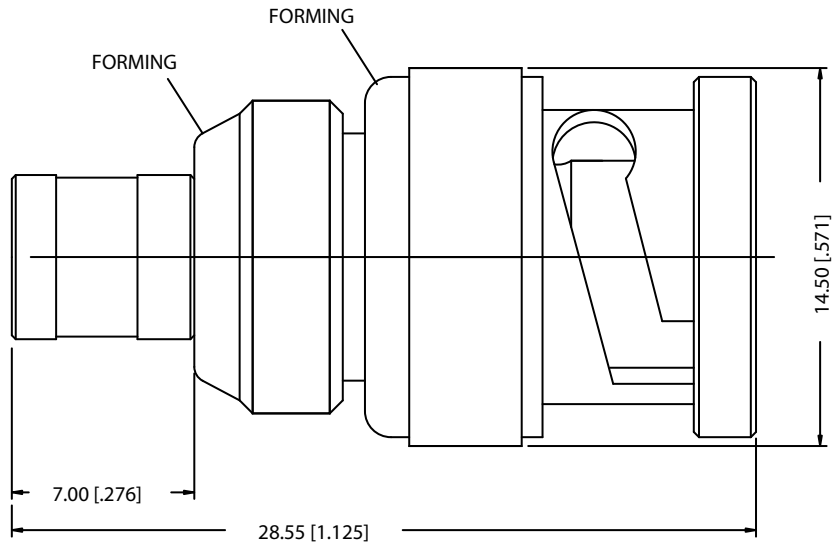


REV.	DATE	DESCRIPTION
NC	04/09/02	INITIAL RELEASE



8			
7			
6			
5			
4	CONTACT PIN	BER. COPPER	GOLD
3	INSULATOR	TEFLON	NATURAL
2	SMB BODY	BRASS	GOLD
1	BNC BODY	BRASS	NICKEL
	DESCRIPTION	MATERIAL	FINISH

UNLESS OTHERWISE SPECIFIED
DIMENSIONS ARE IN MILLIMETERS

DIMENSIONS IN []
ARE IN INCHES FOR
CUSTOMER REFERENCE ONLY

UNLESS OTHERWISE SPECIFIED
TOLERANCES FOR INCHES ARE:

.XXX = ± 0.005"
.XX = ± 0.010"
.X = ± 0.020"

DO NOT SCALE DRAWING

APPROVALS	DATE
DRAWN G.R.S.	04/09/02
CHECKED	
ISSUED	

Amphenol - Connex			
CONNECTOR CORPORATION			
TITLE BNC PLUG TO SMB PLUG ADAPTOR			
SIZE A	FSCM NO. 99001	DWG. NO. 242187.DWG	REV. NC
SCALE NA	PART NO. 242187	SHEET 1 OF 1	