

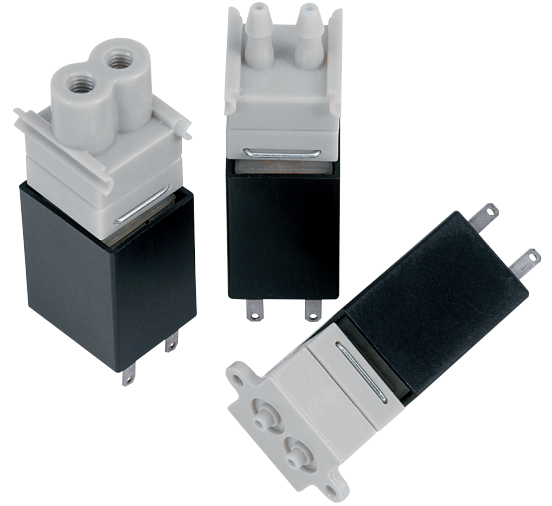
# Chem-S™ Series – Subminiature

- ▶ MOPD: 70 PSI
- ▶  $C_v$  Range: 0.016 to 0.040
- ▶ 2 Watts

The Chem-S™ utilizes revolutionary diaphragm technology in a liquid compatible, sub-miniature inert isolation valve. With a compact size, flexible diaphragm design, low power consumption, and low cost the Chem-S provides a unique and valuable option for the medical and scientific instrumentation industries. The Chem-S specifically targets the performance and price void between the limited pinch valve and the very expensive rocker style solenoid.

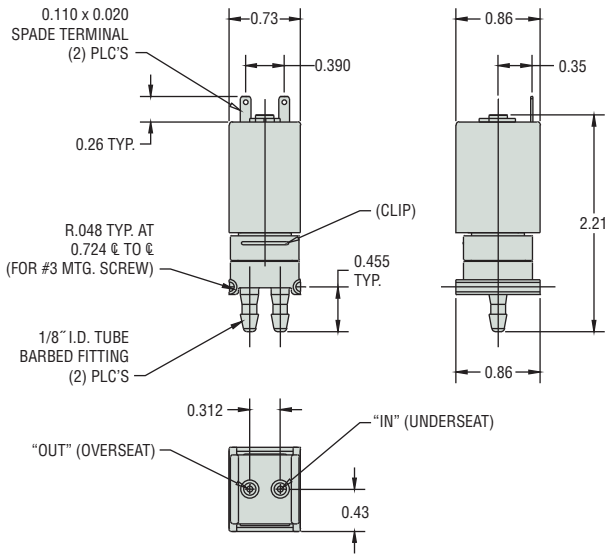
## Typical Applications

- Analytical Instrumentation
- Clinical Chemistry Equipment
- Medical Diagnostic and Testing Machinery

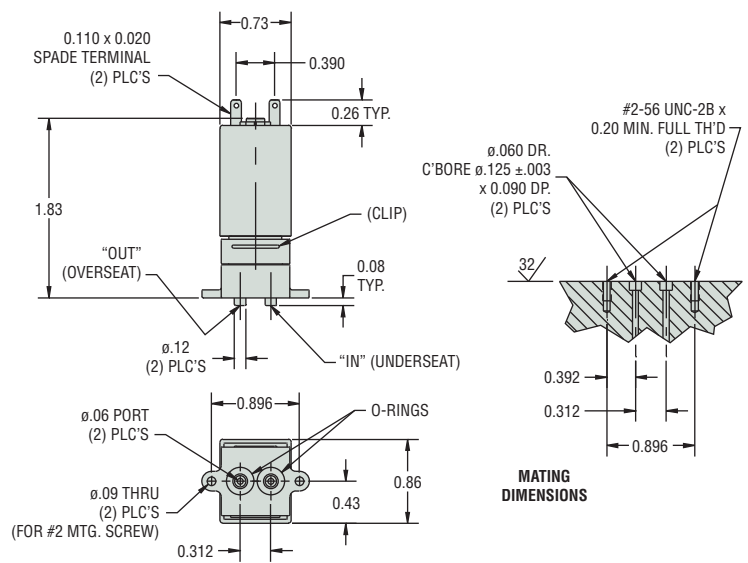


## Dimensions

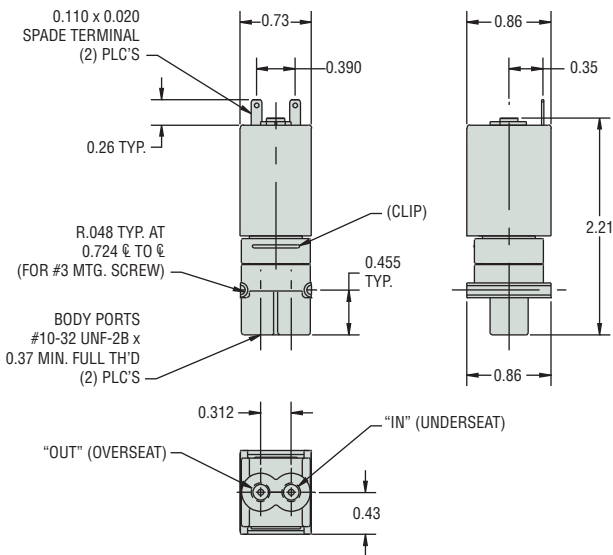
### Barb Port Body



### Manifold Mount Body

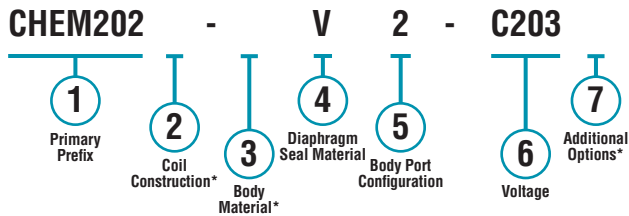


### Threaded Port Body



### How To Order

Use the **Bold** characters from the choices listed below to construct a product code.



\* Blank entry indicates a "Standard" selection (Quick connect 0.110 spade and Polyurethane (Isoplast™), in this case).

**Example:**

CHEM202-V2-C203

2-Way N.C. solenoid valve, with quick connect 0.110 spade, polyurethane (Isoplast™) body, Viton® diaphragm seal, manifold mount, operating at 12 VDC.

### Part Prefix Table ①

Orifice	MOPD (psig)	C <sub>v</sub>	① Primary Prefix
		Body	
0.031	70	0.016	<b>CHEM202</b>
0.052	25	0.040	<b>CHEM205</b>

- ② **Coil Construction**  
(blank) = Quick connect 0.110 spade\*
- ③ **Body Material**  
(blank) = Polyurethane (Isoplast™)\*
- ④ **Diaphragm Seal Material**  
V = Viton®  
E = EPDM
- ⑤ **Body Port Configuration**  
1 = 1/8" barb  
2 = Manifold mount†  
3 = #10-32 flat bottom straight thread ports
- ⑥ **Voltage**  
C201 = 5 VDC  
C203 = 12 VDC  
C204 = 24 VDC  
\_\_ VDC = DC (specify voltage)

Please Note: Usable for vacuum applications (0-27" Hg). When using for vacuum applications apply vacuum to "IN" port.

\* Standard selection; will be used unless otherwise specified. Standard selections are not referenced in final part number.

† Teflon® o-ring not suitable for manifold mount.

Gems specializes in the design and manufacturing of custom solenoid valves and fluidic systems. If you don't see what you're looking for, or have a question, contact us at 800-378-1600 or info@gemssensors.com.