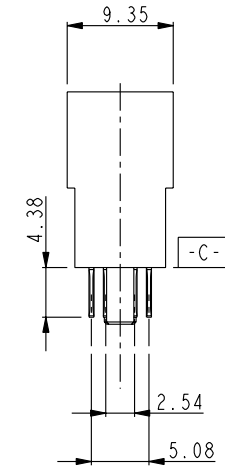
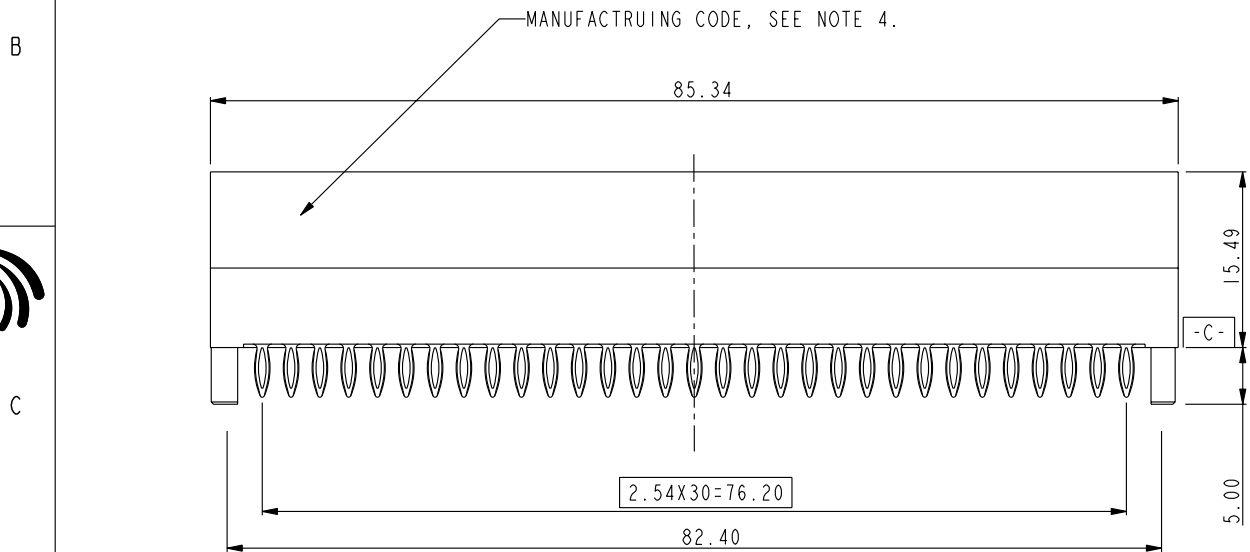
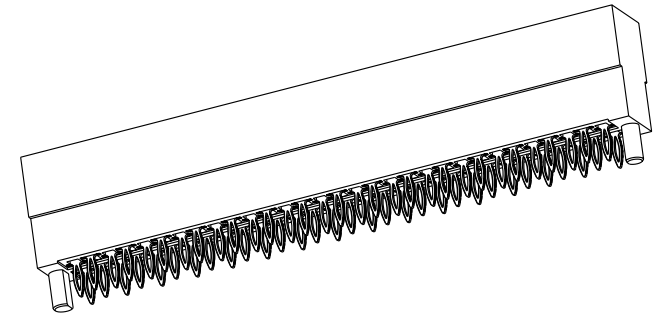
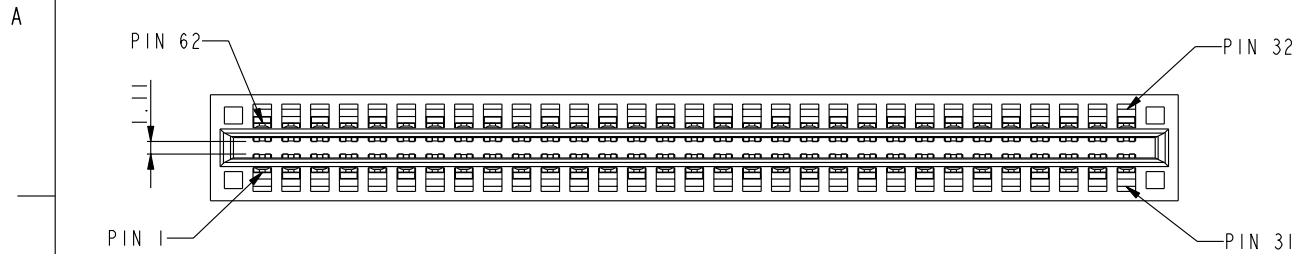


PRODUCT NUMBER
10075664-001LF



SCALE 1.500



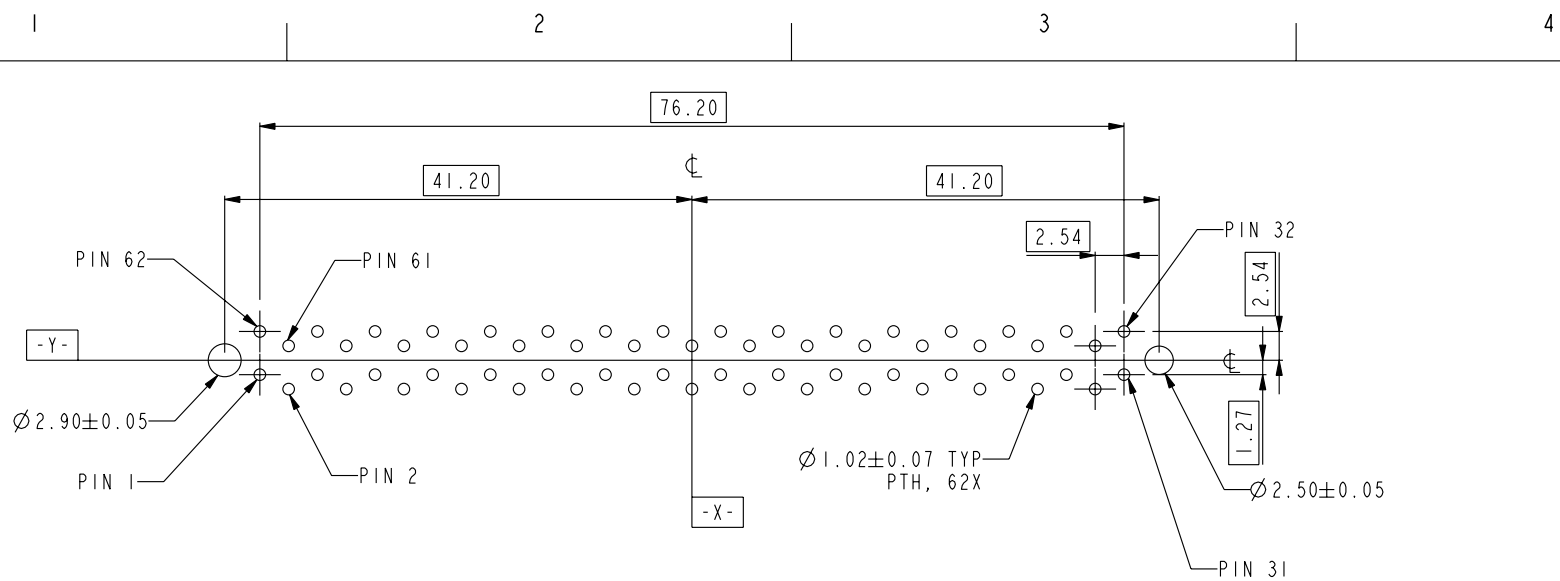
Copyright FCI.

| | | | | | | | |
|--------------------|-------------|------------|----------------|---------------------------------------|---------------|--------------|--------------|
| www.fciconnect.com | | | | surface | tolerance std | projection | MM |
| | | | | | ASME Y14.5 | | |
| | | | | TOLERANCES UNLESS OTHERWISE SPECIFIED | | | |
| Dr | KENNY TAI | 01-10-2007 | ANGULAR | 0.X | ±0.50 | size | A4 |
| Eng | KENNY TAI | 01-10-2007 | LINEAR | 0.XX | ±.25 | Scale | 1.000 |
| Chr | PAUL WANG | 01-10-2007 | 0° ±2° | 0.XXX | ± | ECN | DG07-0073 |
| Appr | JOSEPH HSIA | 01-10-2007 | Product family | | | Spec ref | * |
| | | | | title | | dwg no | Rev. |
| | | | | PRESS FIT TYPE | | 10075664-001 | A |
| | | | | POWER EDGE CONNECTOR | | | |
| | | | | catalog no | 10075664 | CUSTOMER | sheet 1 of 2 |

| rev | ecn no | dr | date |
|-----|-----------|----|------------|
| A | DG07-0073 | BF | 04/10/2007 |
| | | | |
| | | | |
| | | | |
| | | | |



Copyright FCI.

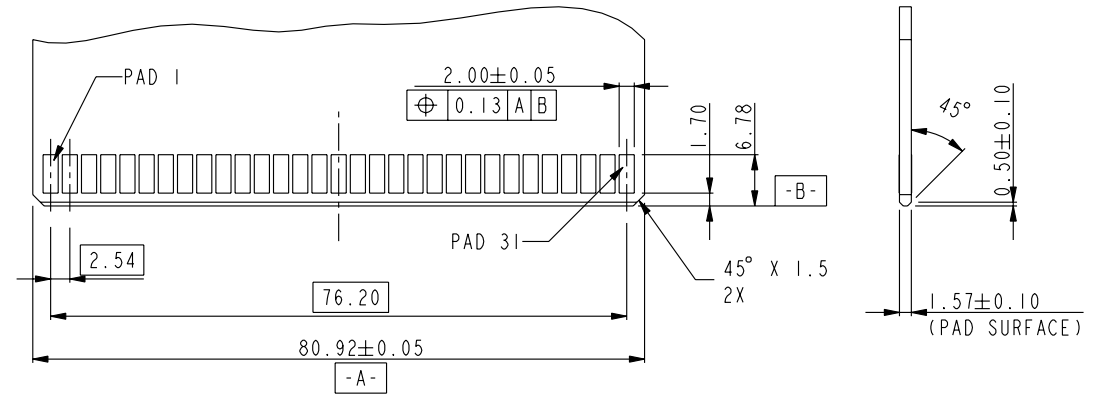


RECOMMENDED PCB LAYOUT
 PCB THICKNESS: 3.18mm

SCALE 1.500

- CONNECTOR NOTE:
- HOUSING MATERIAL: HIGH TEMPERATURE THERMOPLASTIC UL 94V-0, FLAME RETARDANT.
 - TERMINAL: COPPER ALLOY.
 - PLATING:
 Ni: 50 μ " / 1.27 μ m UNDERPLATED.
 Au: 30 μ " / 0.76 μ m ON CONTACT AREA (ONE SIDE).
 Sn: 50 μ " / 1.27 μ m ON PRESS FIT TAIL.
 - MANUFACTURING CODE PLEASE REFERENCE FCI SPECIFICATION GS-24-007.

- PCB NOTE:
- ALL THROUGH HOLES ARE LOCATED WITH A TRUE POSITION OF 0.1mm.
 - ALL DIAMETERS ARE FINISHED HOLE SIZES.
 - $\varnothing 1.15$ mm DRILLED HOLES, PLATED WITH 0.007mm MIN. HASL-FREE Pb. OVER 1.03mm TO 0.08mm Cu PLATING TO ACHIEVE A 1.02 ± 0.07 mm HOLE.



RECOMMENDED MATING PCB

| | | | | | | |
|--|------------|----------------------|----------|--------------|------|---|
| | title | PRESS FIT TYPE | dwg no | 10075664-001 | Rev. | A |
| | | POWER EDGE CONNECTOR | | | | |
| | catalog no | 10075664 | CUSTOMER | sheet 2 of 2 | | |