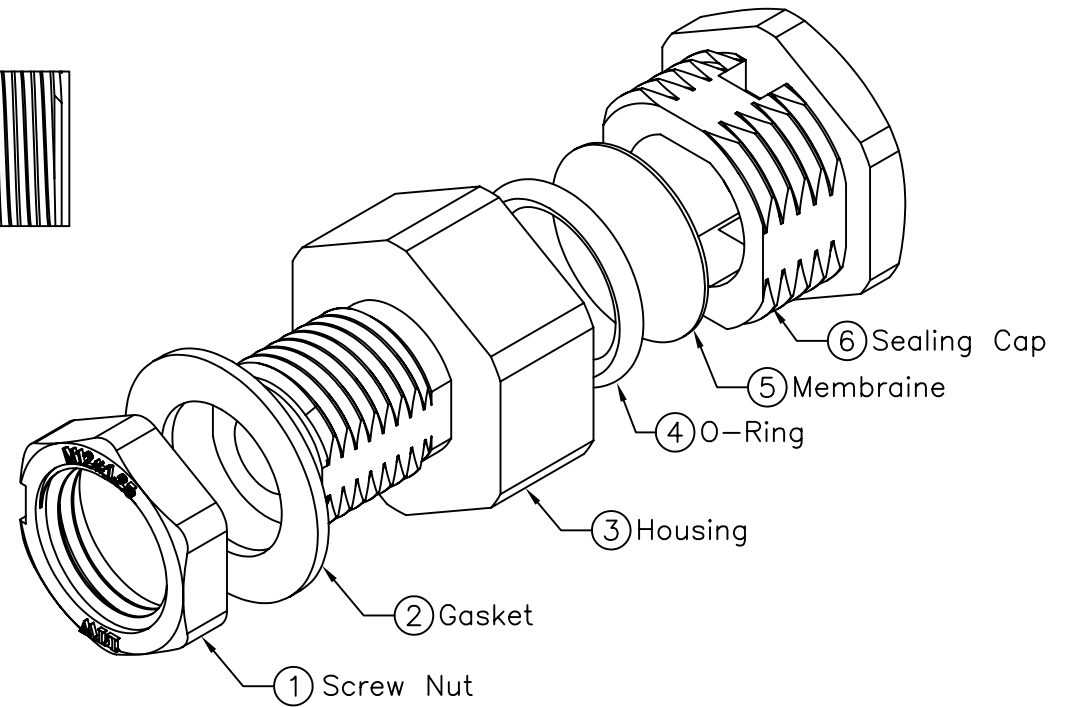
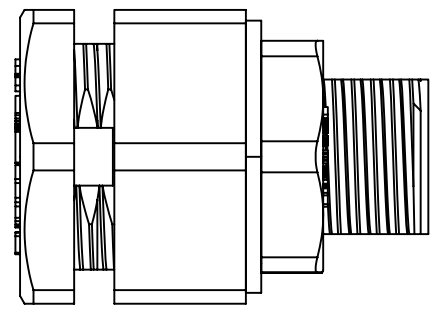
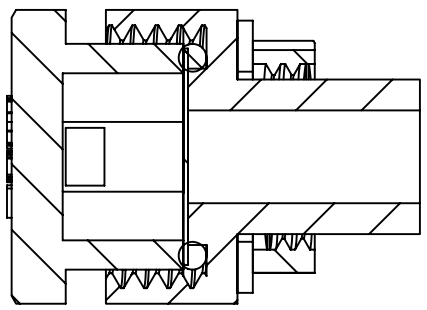
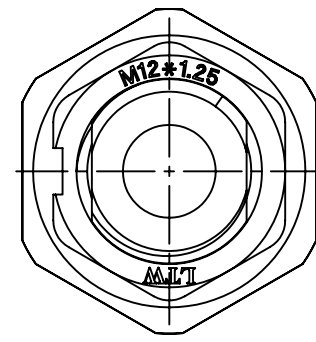
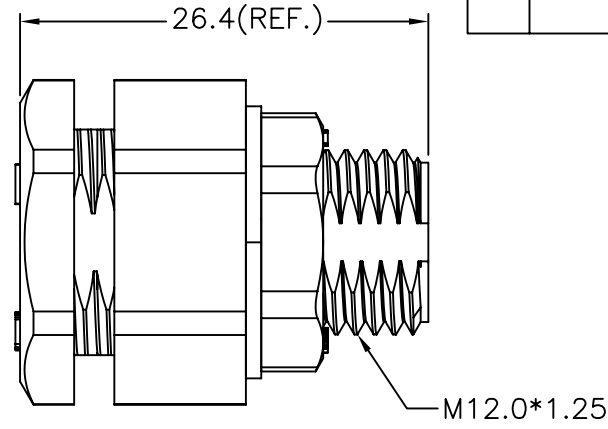
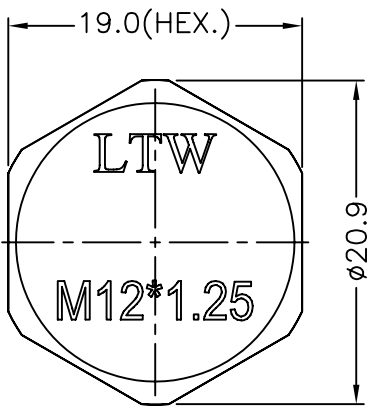
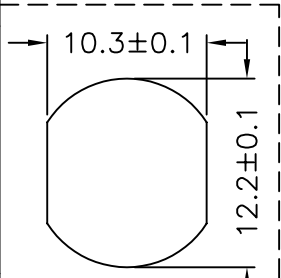
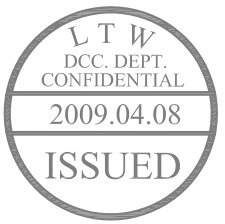


5	6	7	8
REV. B	ECN NO. LEN-940043	DATE 2009/04/03	SIGN TOMMY DESCRIPTION ADD THE NOTE



- Note:
- \* @Q Important Dimension
  - \* Waterproof Rate: IP67
  - \* Nut: Black, Nylon 66
  - \* Gasket: Black, EPDM
  - \* Housing: Black, PBT+PC
  - \* O-Ring: Black, EPDM
  - \* Membrane: White, PTFE
  - \* Sealing Cap: Black, PBT+PC
  - \* Maximum Panel Thickness: 6.5mm
  - \* Air permeability: 12sec/100cm<sup>3</sup>
  - \* Water entry pressure: 100kPa



Recommended Panel Cut-Out

UNIT:mm	TITLE M12 Vent		<h1>LTW</h1> <p>亮泰企業股份有限公司</p>	ITEM NO LTWVENT-BD001	DRAWN BY TOMMY	DATE 2009/04/03
TOLERANCE .X ±0.25 .XX ±0.1 .XXX ±0.05 ANGLES ±1°	SCALE Free	SHEET 1 OF 1		DWG NO LTWVENT-BD001	CHECKED BY Vicky	DATE 2009/04/03
REV. B	SIZE A4	@Q :Inspection Item		CUSTOMER	APPROVED BY Luke	DATE 2009/04/03

THIS DOCUMENT IS SUBJECT TO CHANGE WITHOUT NOTICE. IT IS CONFIDENTIAL AND A PROPERTY OF LTW. DISCLOSURE TO THIRD PARTY HAS TO BE AUTHORIZED BY LTW.