



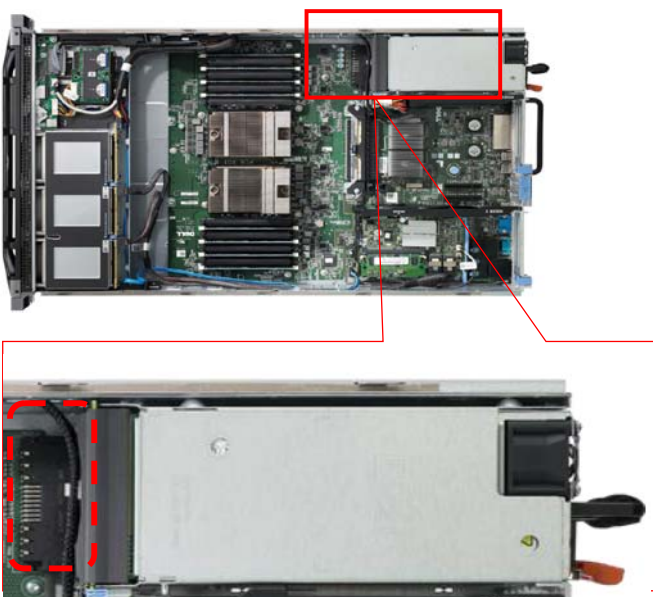
Energy Razor® is an ideal power connector series for power distribution to provide power and signal control in one single connector. The connector is extensively applied in AC/DC power supplies, power distribution board or for board-to-board connection in server, storage, and telecommunication equipments.. Energy Razor® key features include:

- Compatible with UL Requirement
- Multiple Contact Design Ensures Great Contact Reliability
- Blind-mating capability with Guiding pin design
- Venting Hole for Great Thermal Performance
- Capability for Expansion to 16 power pins and 24 signal pins

Energy Edge	Part Number	Gender	Orientation	Tail	Tail Length	Configuration	Pin			Power Pin Pitch	Contact Sequency	Mounting
							Power	Signal	Power			
	G20M20300HR	Male	R/A	DIP	3.43mm	Power/Signal	6	24	0	5.08mm	No	Screw hole
	G20M20800HR					Power/Signal	2	12	0	6.35mm	No	Screw hole
	G20M20100HR					Power/Signal	4	16	0	5.08mm	No	Screw hole
	G20M20700HR					Power/Signal	14	32	0	6.35mm	No	Screw hole
	G20M20200HR					Power/Signal/Power	3	24	3	5.08mm	No	Screw hole
	G20M20600HR					Power/Signal/Power	2	24	2	6.35mm	No	Screw hole
	G20M20400HR					Power/Signal/Power	3	16	6	5.08mm/6.35mm/7.62mm	No	Screw hole
	G20M21000A1HR					Power/Signal/Power	1	40	1	N/A	Yes	Boardlock
	G20M20900A1HR					Power/Signal/Power	2	16	2	6.35mm	Yes	Screw hole
	G20F20300HR	Female	R/A	DIP	3.43mm	Signal/Power	0	24	6	5.08mm	N/A	Screw hole
	G20F20100HR					Signal/Power	0	16	4	5.08mm	N/A	Screw hole
	G20F2192000HR					Signal/Power	0	12	4	6.35mm	N/A	Screw hole
	G20F20200HR					Power/Signal/Power	3	24	3	5.08mm	N/A	Screw hole
	G20F20600HR					Power/Signal/Power	2	24	2	6.35mm	N/A	Screw hole
	G20F20400HR					Power/Signal/Power	6	16	3	5.08mm/6.35mm/7.62mm	N/A	Screw hole
	G20F2182000HR					Power/Signal/Power	1	40	1	N/A	N/A	Boardlock
	G20F2090000HR					Power/Signal/Power	2	16	2	6.35mm	N/A	Screw hole

* The tooling can be modified to different configuration with power and signal pin number.

** If there is any inquiry out of the list, please check with AMTA for the modification.



Energy Razor®

www.amphenolacp.com

Amphenol

Now you're connected

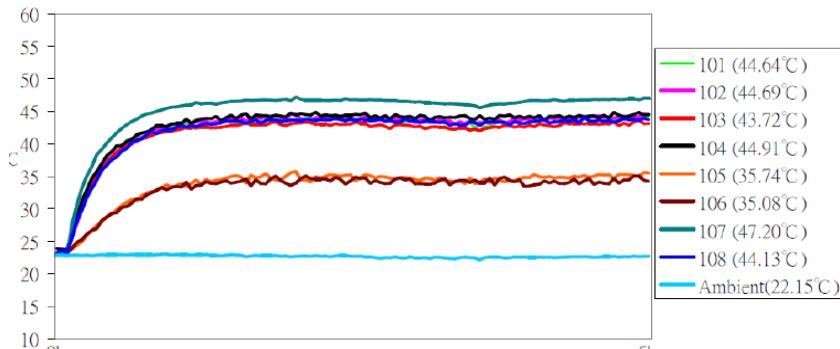
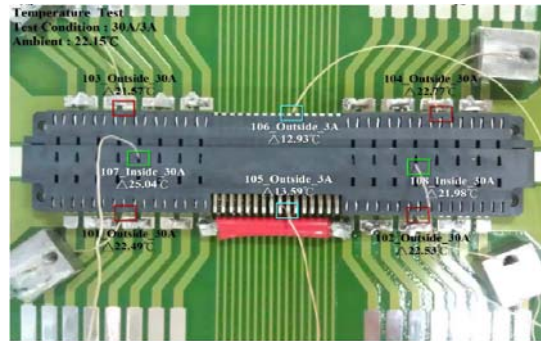
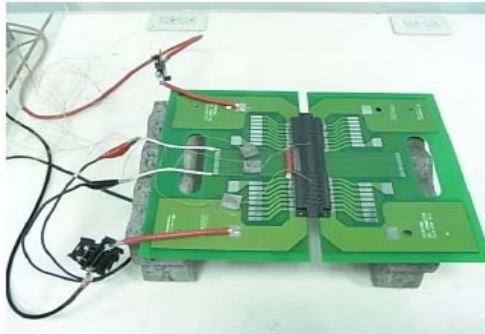
Mechanical Specifications

Mating Force	Single Power Pin 800g Max Single Signal Pin 100g Max
Unmating Force	Single Power Pin 227g min Single Signal Pin 18g min
Contact Retention force	Single Power Pin 32N min Single Signal Pin 19N min
Durability	200 cycles

Electrical Specification

Current Rating	Power Contact: 30A Signal Contact: 3A
Contact Resistance	Initial: 35 milliohms maximum After test: ΔR=20 milliohms maximum
Dielectric Withstanding Voltage	Power Contact: 2500V DC Signal Contact: 1000V DC

Temperature Rise



Applications

Power supply, distribution and control for board-to-board, panel-mount and rack-mount connections

Networking Telecom Server Storage Wireless Medical Test & Measure Industrial



Amphenol Canada Corp.
Toronto, Ontario, Canada
Tel: +1-416-291-4401
Fax: +1-416-292-0647
Email: sales@amphenolcanada.com
Web: www.amphenolcanada.com

Amphenol Commercial Products Americas
Email: info@amphenolacp.com
Web: www.amphenolacp.com

Amphenol InfoCom Europe
Houten, Netherlands
Tel: +31-30-635-8000
Fax: +31-30-637-7034
Email: customerservice@amphenol-nl.com
Web: www.amphenolinfocom.eu

Amphenol Japan Infocom
Tokyo, Japan
Tel: +81-45-473-9191
Fax: +81-45-473-9204
Email: info@amphenol.co.jp
Web: www.amphenol.co.jp

Amphenol Daeshin Limited
Bucheon, Korea
Tel: +82-32-610-3800
Fax: +82-32-673-2507
Email: info@amphenol.co.kr
Web: www.amphenol.co.kr

Amphenol Taiwan Corporation
Taoyuan, Taiwan
Tel: +886-3-379-5677
Fax: +886-3-360-7259
Email: info@amphenol.com.tw
Web: www.amphenol.com.tw

Amphenol East Asia Limited - South East Asia
The Concourse, Singapore
Tel: +65-6294-2128
Fax: +65-6294-3522
Email: info@amphenol.com.sg

Amphenol East Asia Limited
Hong Kong, China
Tel: +852-2699-2663
Fax: +852-2691-1774
Email: enquiry@amphenol.com.hk
Web: www.amphenol.com.hk

Amphenol Shanghai Sales
Shanghai China
Tel: +86-21-5836-5500
Fax: +86-21-5836-5618
Email: info@amphenol.com.cn
Web: www.amphenol.com.cn

Amphenol Shenzhen Sales
Shenzhen, China
Tel: +86-755-2399-2529
Fax: +86-755-2399-2540
Email: info@amphenol.com.cn
Web: www.amphenol.com.cn