

Plug BNC, 75R

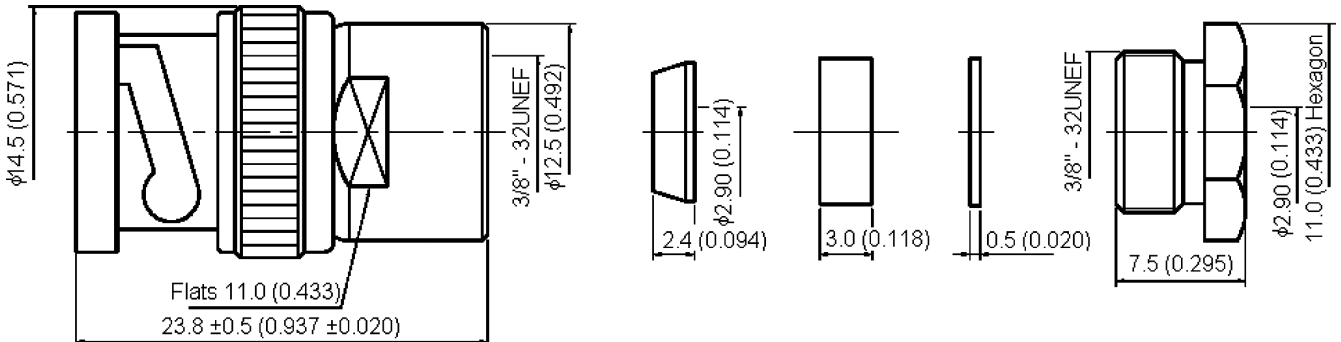


Specifications:

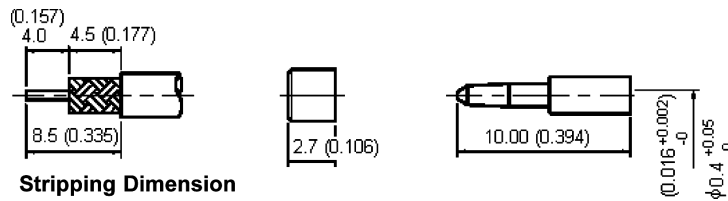
Connector Type	: BNC Coaxial
Body Style	: Straight Plug
Coaxial Termination	: Clamp
Impedance	: 75Ω
Contact Material	: Brass
Contact Plating	: Silver
Frequency Max.	: 4GHz
Connector Mounting	: Cable
Cable Diameter Max.	: 2.54mm
Coaxial Type	: RG179
Contact Resistance	: 1.5mΩ
DC Current Max.	: 1A
Material	: Brass with Silicone Gaskets
Operating Temperature	: -64°C to +165°C
Proof Voltage	: 2kV
VSWR	: 1.35
Working Voltage	: 500V
Bodies	: Brass per JIS-C3604
Centre Contact	: Brass per JIS-C3604
Insulation	: PTFE per ASTM D1457 and ASTM D1710

Part to be clean and free of burrs

Plug BNC, 75R



Dimensions : Millimetres (Inches)



Stripping Dimension

Description	Material	Finish
Shell	Brass	Silver 70µ" Min.
Body		
Insulation	PTFE	None
Gasket	Silicone	Red
Washer	Brass	Nickel 100µ" Min.
Insulation	PTFE	None
Spring Washer	SK-5	Nickel 100µ" Min.
Washer	Brass	Silver 70µ" Min.
Braid Clamp		
Gasket	Silicone	Red
Washer	Brass	Silver 70µ" Min.
Nut		
Centre Contact		

Part Number Table

Description	Part Number
Plug, BNC, 75R	13-04-19 TSS RG179U

Important Notice : This data sheet and its contents (the "Information") belong to the members of the Premier Farnell group of companies (the "Group") or are licensed to it. No licence is granted for the use of it other than for information purposes in connection with the products to which it relates. No licence of any intellectual property rights is granted. The Information is subject to change without notice and replaces all data sheets previously supplied. The Information supplied is believed to be accurate but the Group assumes no responsibility for its accuracy or completeness, any error in or omission from it or for any use made of it. Users of this data sheet should check for themselves the Information and the suitability of the products for their purpose and not make any assumptions based on information included or omitted. Liability for loss or damage resulting from any reliance on the Information or use of it (including liability resulting from negligence or where the Group was aware of the possibility of such loss or damage arising) is excluded. This will not operate to limit or restrict the Group's liability for death or personal injury resulting from its negligence. Multicomp is the registered trademark of the Group. © Premier Farnell plc 2012.

