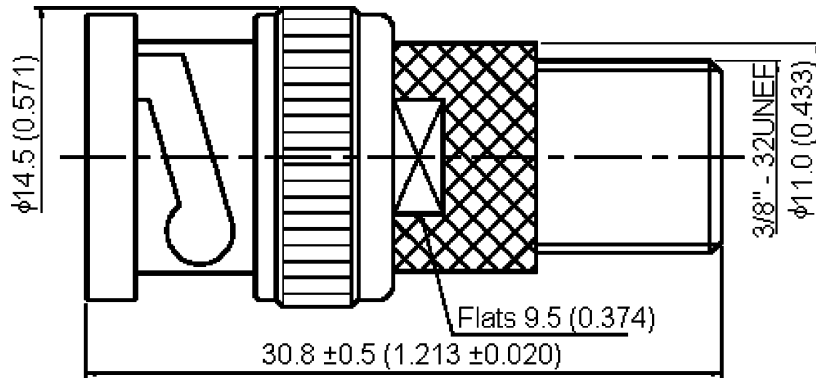


Adaptor BNC Plug - F Jack



Specifications:

Connector Type	: Inter Series Coaxial
Body Style	: Straight Adapter, Plug-Jack
Convert From Connector	: BNC Coaxial
Convert From Gender	: Plug
Convert To Connector	: F Coaxial
Convert To Gender	: Jack
Body Plating	: Nickel
Impedance	: 50Ω
Material	: Brass
Bodies	: Brass per JIS-C3604
Centre Contact	: Brass per JIS-C3604
Connector interface per MIL-STD-348A	
Part to be clean and free of burrs	



Dimensions : Millimetres (Inches)

Description	Material	Finish
Shell	Brass	Nickel 100µ" Min.
Insulation	POM	None
Gasket	Rubber	Red
Washer	Brass	Nickel 100µ" Min.
Spring Washer	SK-5	Tin
Washer	Brass	
Centre Contact		
Body		
Bobbin	PP+Brass	

Part Number Table

Description	Part Number
Adaptor, BNC Plug - F Jack	13-47

Important Notice : This data sheet and its contents (the "Information") belong to the members of the Premier Farnell group of companies (the "Group") or are licensed to it. No licence is granted for the use of it other than for information purposes in connection with the products to which it relates. No licence of any intellectual property rights is granted. The Information is subject to change without notice and replaces all data sheets previously supplied. The Information supplied is believed to be accurate but the Group assumes no responsibility for its accuracy or completeness, any error in or omission from it or for any use made of it. Users of this data sheet should check for themselves the Information and the suitability of the products for their purpose and not make any assumptions based on information included or omitted. Liability for loss or damage resulting from any reliance on the Information or use of it (including liability resulting from negligence or where the Group was aware of the possibility of such loss or damage arising) is excluded. This will not operate to limit or restrict the Group's liability for death or personal injury resulting from its negligence. Multicomp is the registered trademark of the Group. © Premier Farnell plc 2012.

