

RLF 35-8/14 N

DC centrifugal compact fan

single inlet



ebm-papst St. Georgen GmbH & Co. KG

Hermann-Papst-Straße 1

D-78112 St. Georgen

Phone +49 7724 81-0

Fax +49 7724 81-1309

info2@de.ebmpapst.com

www.ebmpapst.com

Nominal data

Type	RLF 35-8/14 N	
Nominal voltage	VDC	24
Nominal voltage range	VDC	14 .. 28
Speed	min ⁻¹	6700
Power input	W	4.3
Min. ambient temperature	°C	-20
Max. ambient temperature	°C	70
Air flow	m ³ /h	9.6
Sound power level	B	5.5

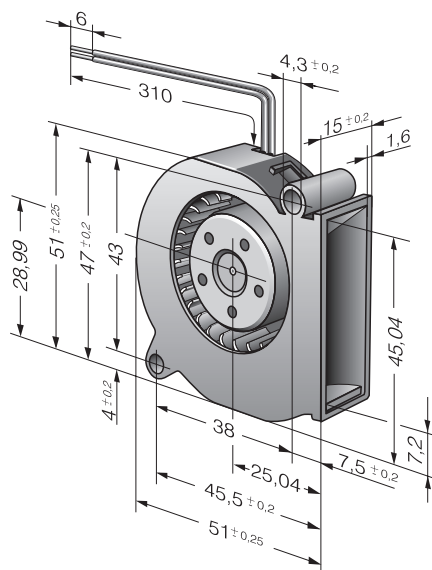
mi = max. load · me = max. efficiency · rfa = running at free air · cs = customer specs · cu = customer unit
Subject to alterations



Technical features

Dimensions	51 x 51 x 15 mm
General description	<p>Particular design features:</p> <p>Noise-optimised air outlet in the scroll housing.</p> <p>Very flat and high-performance centrifugal fan.</p> <p>Forward-curved impeller.</p> <p>General features:</p> <p>Scroll housing and impeller made of fibreglass-reinforced plastic.</p> <p>Electronic commutation completely integrated.</p> <p>Protected against reverse polarity and locking.</p> <p>Direction of air flow: axial air intake, centrifugal air exhaust out of the outlet.</p> <p>Connection via single strands AWG 26, TR 64, bared and tin-plated.</p> <p>Mass: 40 g.</p>
Connection line	Single strands AWG 26, TR 64, bared and tin-plated.
Locked-rotor protection	Electronic blocking protection
Direction of air flow	Axial air intake, centrifugal air exhaust out of the outlet.
Bearing	Ball bearings
Lifetime L10 at 40 °C	60000 h
Lifetime L10 at maximum temperature	30000 h
Mass	0.036 kg
Housing material	Scroll housing of fibreglass-reinforced plastic.
Material of impeller	Fibreglass-reinforced plastic
Motor protection	Protected against reverse polarity and locking.
Approval	CE

Product drawing



Charts: Air flow

