

Pressure Switch

Adjustable Set Point



**RoHS
Compliant**

Description:

The rugged yet ultra-sensitive goldtech™ PS100 and PS160 series pressure switches feature a larger diameter diaphragm and incorporate a conventional snap action switch element. This design assures reliable performance under harsh and adverse conditions, while remaining low in relative cost.

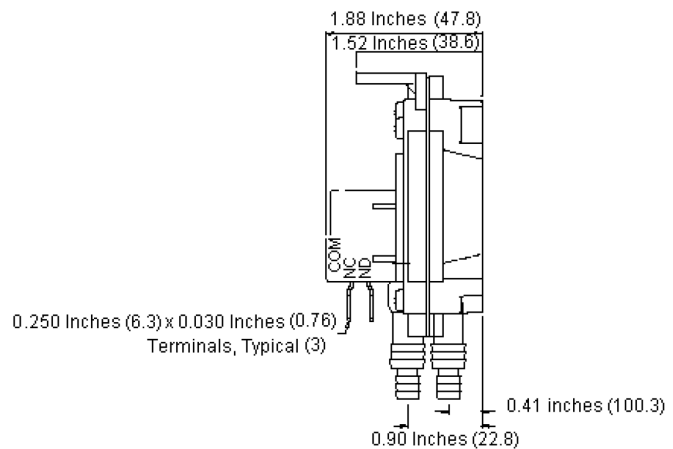
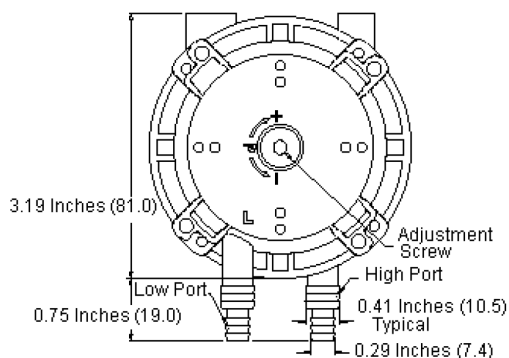


Features:

- Reliable performance under harsh/adverse conditions
- Larger diameter diaphragm/conventional snap action
- Standard set point models 0.07" H₂O to 5" H₂O
- Field adjustable set point models 0.2" H₂O to 5" H₂O
- Multi-barb port connections standard 0.25" and 0.375"
- Orifices, bleed holes and various mounting configurations available on all models
- Piggy-back design allows different snap-acting switches
- Lightweight, low cost
- Silver contact points
- Different sized electric terminations available for same unit

Specifications:

Actuation Pressure	: 0.2" to 1" H ₂ O, ±0.08" H ₂ O
Test Position	: Diaphragm vertically, switch feet pads down
Electrical Rating	: SPDT electrical load 5A resistive at 125V AC to 250V AC
Electrical Switch	: Single pole double throw, snap acting contacts
Electrical Connectors	: Terminals are 1/4 Inches thickness quick connect
Max. Pressure	: 1psi.
Operating Temp. Range	: -13°F (-25°C) to +221°F (+105°C)
Sample Line Connector	: Negative combination barbed type for use with 1/4" or 5/16" ID flexible plastic or rubber tubing

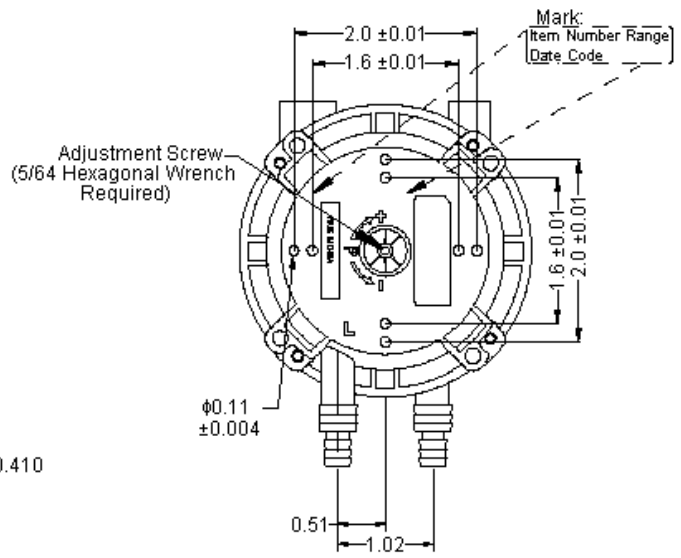
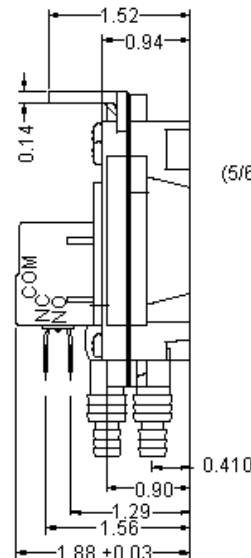
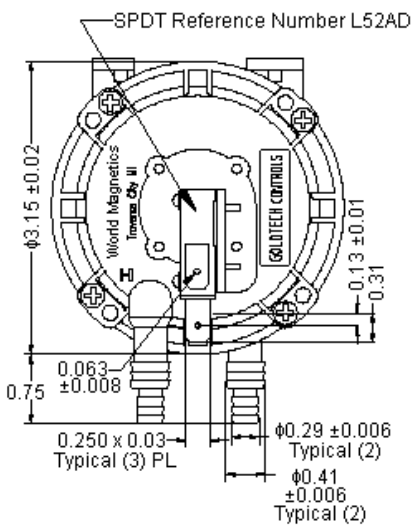
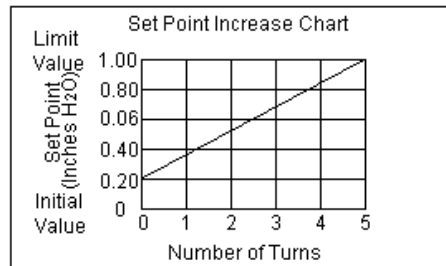
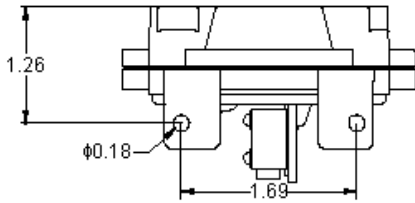


Dimensions: Inches (Millimetres)

www.element14.com
www.farnell.com
www.newark.com



Pressure Switch Adjustable Set Point



Dimensions: Millimetres

Part Number Table

Description	Part Number
Pressure Switch, 0.2" to 1" H ₂ O	GT27027(PSF117)

Important Notice : This data sheet and its contents (the "Information") belong to the members of the Premier Farnell group of companies (the "Group") or are licensed to it. No licence is granted for the use of it other than for information purposes in connection with the products to which it relates. No licence of any intellectual property rights is granted. The Information is subject to change without notice and replaces all data sheets previously supplied. The Information supplied is believed to be accurate but the Group assumes no responsibility for its accuracy or completeness, any error in or omission from it or for any use made of it. Users of this data sheet should check for themselves the Information and the suitability of the products for their purpose and not make any assumptions based on information included or omitted. Liability for loss or damage resulting from any reliance on the Information or use of it (including liability resulting from negligence or where the Group was aware of the possibility of such loss or damage arising) is excluded. This will not operate to limit or restrict the Group's liability for death or personal injury resulting from its negligence. Multicomp is the registered trademark of the Group. © Premier Farnell plc 2012.

www.element14.com
www.farnell.com
www.newark.com

