

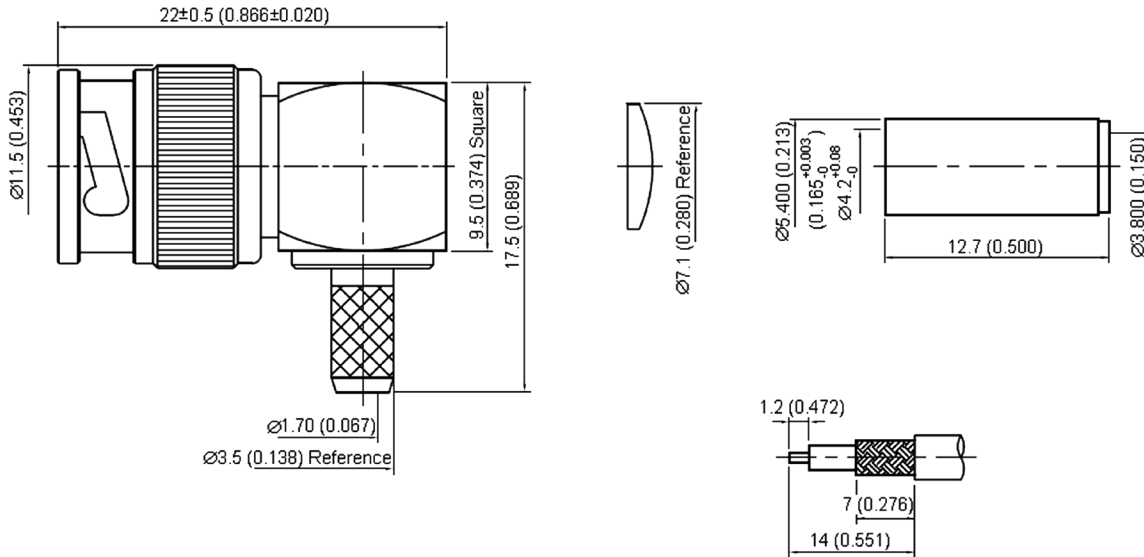
Mini BNC Plug Right Angle



Specifications:

Connector Type	: BNC Coaxial
Coaxial Termination	: Crimp
Impedance	: 75Ω
Contact Material	: Brass
Contact Plating	: Nickel
Frequency Max	: 2GHz
Coaxial Connector Type	: Mini BNC
Coaxial Type	: RG179B, 187A
Contact Resistance	: 12mΩ
Insulation Resistance	: 1,000MΩ
Insulator Material	: PTFE
Mounting Type	: Cable
No. of Mating Cycles	: 500
Operating Frequency Max	: 2GHz
Operating Temperature	: -40°C to +85°C
Plug Body Material	: Brass
VSWR	: 1.16
Voltage Rating	: 400V AC
Withstand Voltage	: 1,000V

Mini BNC Plug Right Angle



Dimensions : Millimetres (Inches)

Number	Description	Material	Finish
1	Shell	Brass	Nickel 100µ" Min.
2	Body		
3	Gasket	Silicone	Red
4	Washer	Brass	Nickel 100µ" Min.
5	Spring Washer	SK-5	
6	Washer	Brass	
7	Insulation	PTFE	None
8	Centre Contact	Brass	Gold
9	Chassis		Nickel 100µ" Min.
10	Cap		
11	Crimp Ferrule		

Part Number Table

Description	Part Number
Plug, Mini BNC, Right Angle	56-04N-TGN

Important Notice : This data sheet and its contents (the "Information") belong to the members of the Premier Farnell group of companies (the "Group") or are licensed to it. No licence is granted for the use of it other than for information purposes in connection with the products to which it relates. No licence of any intellectual property rights is granted. The Information is subject to change without notice and replaces all data sheets previously supplied. The Information supplied is believed to be accurate but the Group assumes no responsibility for its accuracy or completeness, any error in or omission from it or for any use made of it. Users of this data sheet should check for themselves the Information and the suitability of the products for their purpose and not make any assumptions based on information included or omitted. Liability for loss or damage resulting from any reliance on the Information or use of it (including liability resulting from negligence or where the Group was aware of the possibility of such loss or damage arising) is excluded. This will not operate to limit or restrict the Group's liability for death or personal injury resulting from its negligence. Multicomp is the registered trademark of the Group. © Premier Farnell plc 2012.