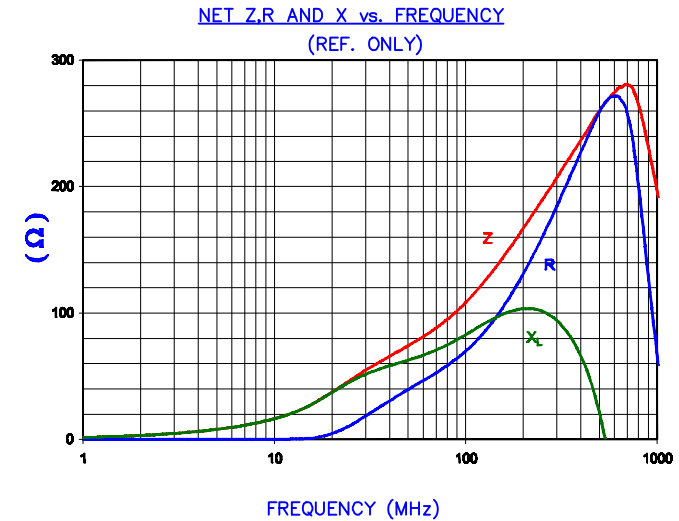


CORE DIMENSIONS:

A	16.25 [.640]	+	0.25 [.010]
B	9.02 [.355]	+	0.20 [.008]
		-	0.13 [.005]
C	27.94 [1.100]	+	0.38 [.015]
D	8.12 [.320]	+	0.13 [.005]

UNCONTROLLED DOCUMENT

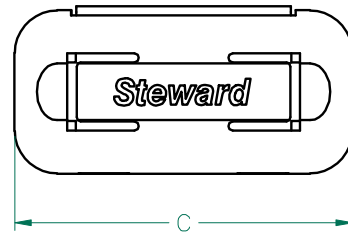
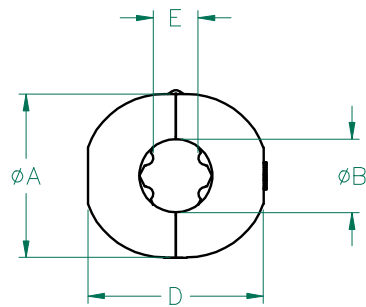
NET IMPEDANCE (Z)			
Frequency	300 MHz	500 MHz	1 GHz
Nominal (REF)	210 Ω	260 Ω	200 Ω
Minimum	- Ω	208 Ω	- Ω



AGILENT E4981A Impedance/Material Analyzer
HP 16092A-Test Fixture REF 2928

NOTES:

1. ASSEMBLED PART #: HFA163090-0A2
2. CASE COLOR: BLACK-0A2.



CASE DIMENSIONS:

A	20.07 [.790]	±	REF.
B	9.07 [.357]	±	REF.
C	41.55 [1.636]	±	REF.
D	21.57 [.849]	±	REF.
E	5.74 [.226]	±	REF.

DIMENSIONS ARE IN mm [INCHES].				THIS DOCUMENT CONTAINS INFORMATION WHICH IS PROPRIETARY AND CONFIDENTIAL TO STEWARD. NO PRODUCTION OR PUBLICATION OF THIS DOCUMENT IN WHOLE OR IN PART SHALL BE MADE WITHOUT WRITTEN AUTHORIZATION FROM STEWARD.			
<p>UPDATE CORE PROFILE FOR UPDATED CASE DESIGN CHANGE CASE TOLERANCES TO REF. UPDATE CASE DIMS ON CASE & ADD E DIM TO CASE REMOVE CORE & CASE P/N REFERENCE REVISE NOTES UPDATE COMPANY LOGO</p>				08/23/07	TMB		
B							
PROJECT/PART NUMBER:				REV	PART TYPE:	DRAWN BY:	
HFA163090-0A2				B	FERRITE SNAP-ON	JRK	
DATE:				SCALE:	MATERIAL:		
09/03/04				NTS	NiZn Ferrite		
CAD #				TOOL #			
HFA163090-0A2-B				-			
REV	DESCRIPTION	DATE	INT				
A	ORIGINAL DRAFT	09/03/04	JRK				