

RM/RC - Machined contacts



Size 16 solid machined contacts for TRIM TRIO connectors

Description

Size 16 RM/RC .063" (1.6mm) diameter contacts are precision solid machined crimp snap-in pin and sockets for heavy duty top performance requirements. Springs on both contacts are made of spring-tempered, heat-treated, beryllium copper.

The socket inner spring supplies high contact pressure to ensure low-resistance contact between pin and socket. The socket contact features closed entry to prevent probe damage. Crimp barrels have insulation grips for vibration support and are provided with a cable stop and inspection hole.

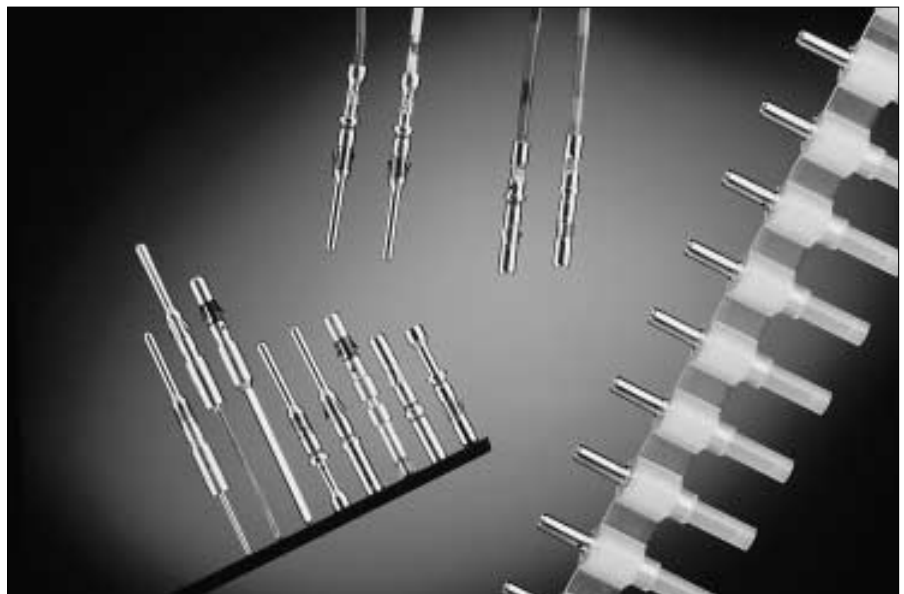
Features and benefits

- Made from high conductive copper alloy with gold or tin over nickel plate finish.
- Heat-treated beryllium copper locking springs assure proper locking and alignment of contacts in the housing.
- Closed entry design on RC socket contact to prevent probe damage.
- Special "RCS" contacts with large lead-in design
- Contacts available in bulk packing

Performance characteristics

Current rating:	13 Amp
Contact resistance:	≤ 3 mΩ

Contact retention in body:	110 N min.
Individual insertion force:	3.5 N max.
Individual withdrawal force:	0.55 N min.



Construction

Contact body: High conductive copper alloy.

Outer spring: Tempered, heat-treated, beryllium copper.

Inner spring socket: Tempered, heat-treated, plated beryllium copper.

Plating table

K (std)	= Min. 0.4 μ Gold all over, over Nickel
T	= 3 - 5 μ Tin all over, over Nickel
D28	= Min. 0.75 μ Gold over Nickel
T3	= 7,5μ - 12,5 μ Tin all over

Connector accommodation

Any TRIM TRIO contact can be used in any contact position in any connector in the TRIM TRIO interconnection system.

- MS-M / MSG Rectangular connectors
- SMS Qikmate
- G - Bantamate
- UT-Bantam
- UTG Metalok bantam
- UTP Full plastic bantam
- UTGS Shielded bantam
- MBG Bantamate II

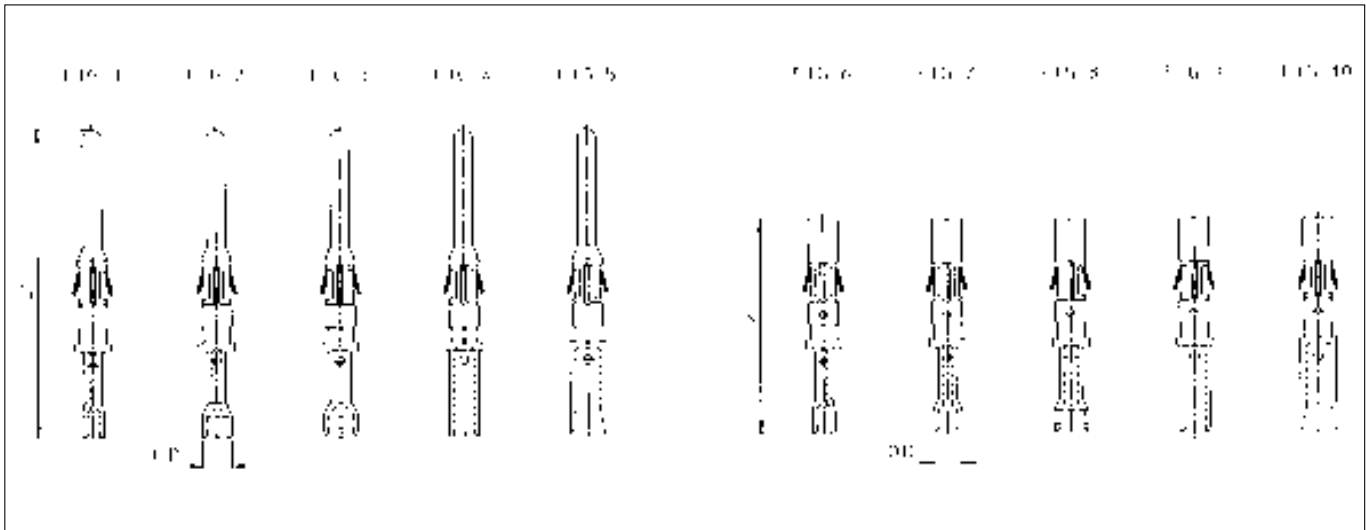
How to order

		(K) RM	16	M	23	(GE1)	K	-
		(K) RC	16	M	23	(GE1)	K	-
Contact type:	RM:	Male contact bulk packing						
	RC:	Female contact bulk packing						
	KRM:	Male contact on plastic carrier strip						
	KRC:	Female contact on plastic carrier strip						
AWG Size:	16, 20, 24, 28							
Size 16:	.063" (1.6mm) Diameter contacts							
Design variation:	Crimp barrel							
Grounding contact:								
Plating indication:	See plating table							
Packing quantity:	No digit (std)	: 50 pcs. bulk packing (RM/RC) : 2000 pcs on reel (KRM/KRC)						
	1000	: 1000 pcs bulk packing (RM/RC)						

RM/RC - Machined contacts



Standard RM/RC crimp contacts: Contact size 16 - Pin diameter 1.6mm (.063")



Dimensional table

Pin contacts	Part number		Fig.	Wire size		Max. wire dia.	Max. insul. dia.	Wire strip length	O.D.	L1	L2	
	Fig.	Socket contacts		AWG	mm ²							
		Standard	RCS-Type									
RM28M1(*)	1	RC28M1(*)	--	6	30-28	0.05-0.08	0.55	1.1	1.90			
RM24M9(*)	2	RC24M9(*)	RCS24M9(*)	7	26-24	0.13-0.20	0.8	1.6	2.55			
RM20M14(*)	3	RC20M14(*)	RCS20M14(*)	8	22-20	0.32-0.52	1.18	4.8	3.10	26.2	18.2	
RM20M13(*)		RC20M13(*)	RCS20M13(*)						2.92			
RM20M12(*)		RC20M12(*)	RCS20M12(*)						2.92			
RM16M23(*)	4	RC16M23(*)	RCS16M23(*)	9	20-16	0.52-1.50	1.80	3.2	7.1	2.55	27.2	19.7
RM16M23GE1(*)		RC16M23GE1(*)	--	9							28.4	--
RM16M31(*)		--	--	--							--	
RM14M50(*)	5	RC14M50(*)	RCS14M50(*)	10	14	2	2.05		3.10			
RM14M30(*)	5	RC14M30(*)	--	10	--	2,5	2.28		3.10	26.2	18.2	

(*) Plating indication : See plating table

For machined contact reeled on plastic carrier: put "K" in front of part number e.g. KRM16M23K

Crimptooling table

Size	Hand crimp tooling for loose contacts						Automatic crimp tooling for contacts on strip		Extraction tools
	Hand tools die set included	MH860		M10S1		M8ND	P100MAN (Press)		
		Positioner	Locator setting	Die set	Stop bushing	Die set	Left side applicator KRM/KRC (not incl.)	Stripper unit (not incl.)	
		(not incl.)		(not incl.)	(not incl.)	(not incl.)			
28-1	Y16RCM	MH86164G	4/6	S9	SL40	N24RT10	--	Consult Factory	RX2025GE1 or RX2025GE2 or RX16D11D1
24-9			5/6				S10		
20-12/13			5/7	S3D1	N16RT21	MLSP2764			
16-23		6/8	SL39		N16RT25	MLSP2765			
16-GE1		MH86186	SL115						
16-31	--	--	--	S3D1	SL115	N16RT25	--		
20-14	--	MH86164G	5/7	S10J	SL40J	N20RT30J	--		
14-50	--	--	--	S3-14	SL39	--	--		
14-30	AF8 + TP120	--	--	--	--	--	--		

For detailed information on crimp tooling : See crimp tooling section

