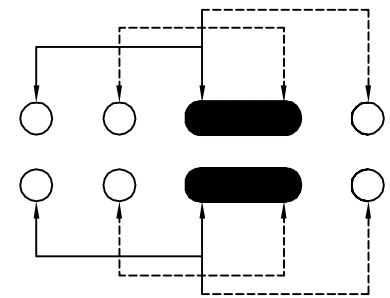
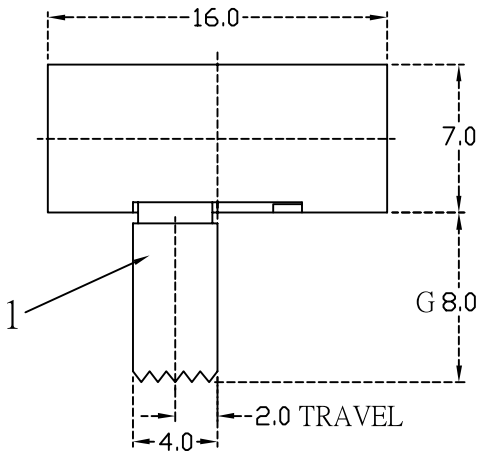


# Horizontal Slide Switch

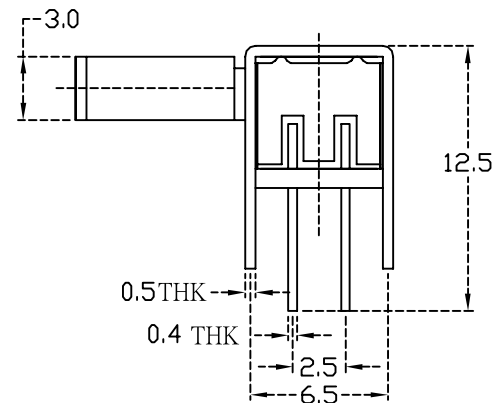
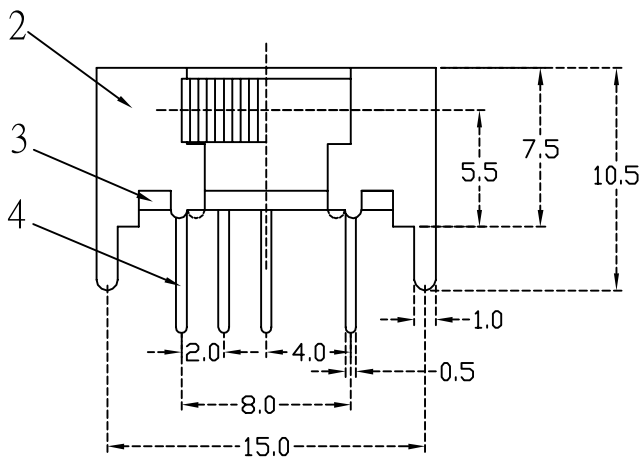


## Specifications

Function	: 2P3T
Rating	: 0.3A to 50V DC
Contact Resistance	: 30mΩ (30 Max.)
Insulation Resistance	: 100MΩ (100 Min.)
Withstand Voltage	: AC 500V 1Min
Life Test	: 10.000 Cycles 15 to 18 Cycles/Min
Operating Fore	: (T1-T2,T3-T2)200gf ± 100gf (T2-T3,T2-T1)250gf ± 100gf
Actuator Style	: Slide
Switch Mounting	: Through Hole
Orientation	: Horizontal



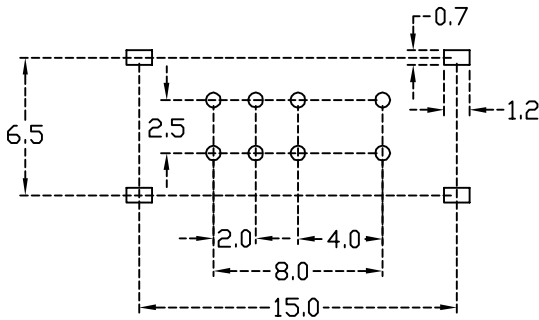
SCHEMATIC (SHORTING)



Dimensions : Millimetres



# Horizontal Slide Switch



Dimensions : Millimetres

## P.C.B LAYOUT

No.	Description	Materials	Qty.	Finishing
1	Knob	Pom	1	Black
2	Frame	Steel Strip	1	Ni Plated
3	Base	Phenolic Resin	1	Natural
4	Terminal	Brass Strip	8	Ag Plated Over Ni Plated
5	Contact Clip	PBS C5210R-EH	2	Ag Clad
6	Spring Plate	Sus	1	NATURAL

## Part Number Table

Description	Part Number
Switch, 2P3T, 0.3A, 50V DC, R/A, THT	SK-23D05-G8

**Important Notice :** This data sheet and its contents (the "Information") belong to the members of the Premier Farnell group of companies (the "Group") or are licensed to it. No licence is granted for the use of it other than for information purposes in connection with the products to which it relates. No licence of any intellectual property rights is granted. The Information is subject to change without notice and replaces all data sheets previously supplied. The Information supplied is believed to be accurate but the Group assumes no responsibility for its accuracy or completeness, any error in or omission from it or for any use made of it. Users of this data sheet should check for themselves the Information and the suitability of the products for their purpose and not make any assumptions based on information included or omitted. Liability for loss or damage resulting from any reliance on the Information or use of it (including liability resulting from negligence or where the Group was aware of the possibility of such loss or damage arising) is excluded. This will not operate to limit or restrict the Group's liability for death or personal injury resulting from its negligence. Multicomp is the registered trademark of the Group. © Premier Farnell plc 2012.

www.element14.com  
www.farnell.com  
www.newark.com

