

# Customer Information Sheet

DRAWING No.: F10-280XX46R

SHEET 3 OF 4

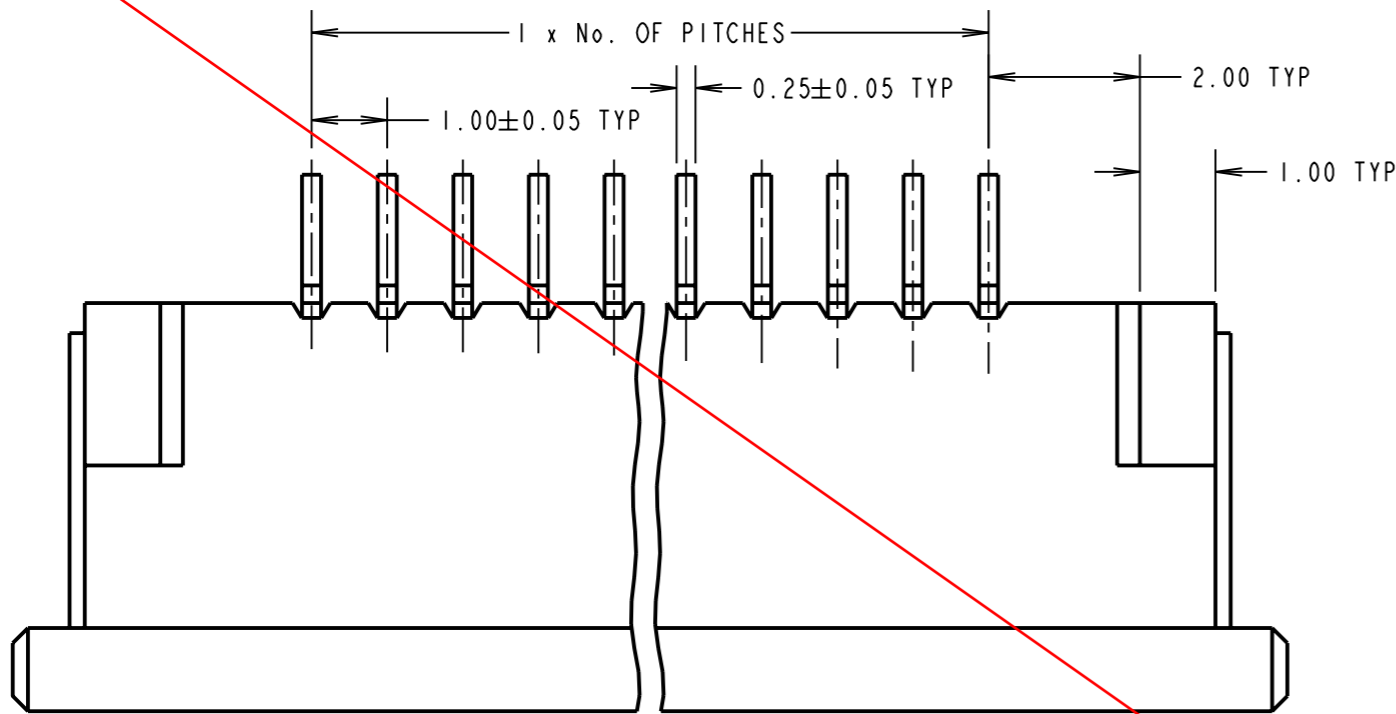
IF IN DOUBT - ASK

©

NOT TO SCALE

THIRD ANGLE PROJECTION

ALL DIMENSIONS IN mm



**SPECIFICATIONS:**

**MATERIAL:**

MOULDINGS - PPS UL94V-0, BLACK  
CONTACTS & RETAINER: PHOSPHOR BRONZE

**FINISH:**

CONTACTS & RETAINER: 0.4µ 100% TIN OVER 0.2µ NICKEL

**ELECTRICAL:**

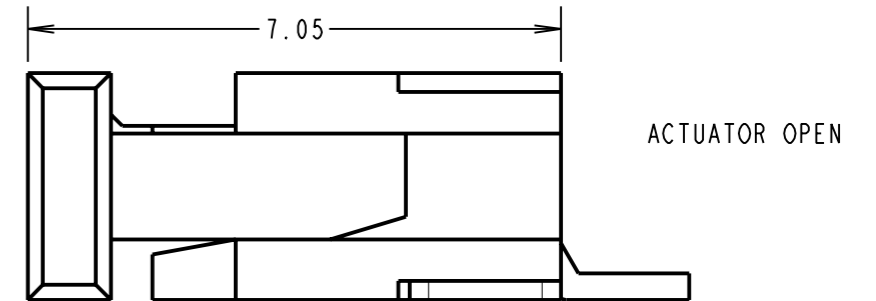
CURRENT RATING: 1A AC/DC MAX  
VOLTAGE RATING: 125V AC/DC MAX  
CONTACT RESISTANCE: 20 MILLIOHMS MAX  
INSULATION RESISTANCE: 100Ω MIN  
DIELECTRIC WITHSTANDING: 500V AC FOR 1 MINUTE

**MECHANICAL:**

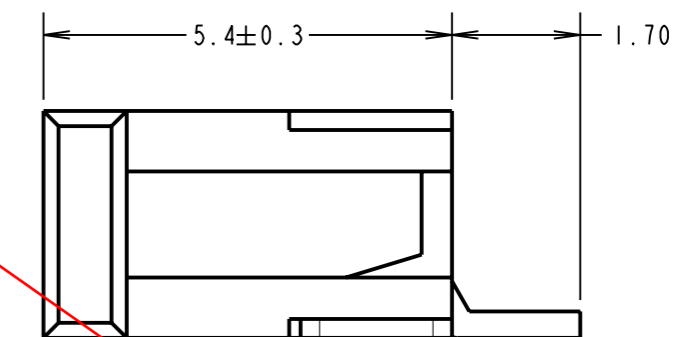
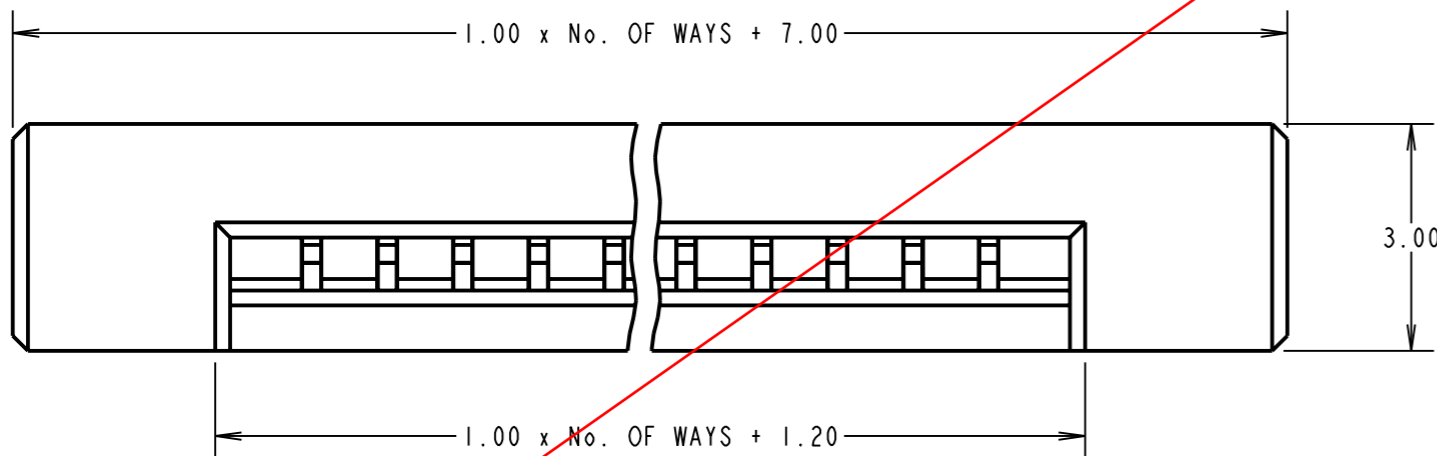
FPC RETENTION FORCE: 3.9 + (0.5 x No. OF WAYS) MIN  
DURABILITY: 30 CYCLES

**ENVIRONMENTAL:**

TEMPERATURE RANGE: -20°C TO +85°C  
RESISTANCE TO SOLDER HEAT: 350°C FOR 3 SECONDS  
FOR COMPLETE SPECIFICATION SEE COMPONENT SPECIFICATION C030XX (LATEST ISSUE).



**OBSOLETE**



- NOTES:**
- ALL TOLERANCES ARE ±0.20 UNLESS OTHERWISE STATED.
  - FOR REELING DETAILS SEE SHEET 4.

ORDER CODE:  
**F10-280XX46R**

No. OF WAYS  
03 TO 38

FINISH  
46 - 100% TIN

SB	7	01.04.11	10825
NAME	ISS.	DATE	C/NOTE
APPROVED:		S.BENNETT	
CHECKED:		R.ADDE	
DRAWN:		D.BECK	
CUSTOMER REF.:			
ASSEMBLY DRG:			

**HARWIN**

HARWIN USA TEL: 603 893 5376 FAX: 603 893 5396 mis@harwin.com	HARWIN Europe (UK) TEL: 023 9231 4545 FAX: 023 9231 4590 mis@harwin.co.uk	HARWIN Asia TEL: +65 6 779 4909 FAX: +65 6 779 3868 mis@harwin.com.sg
------------------------------------------------------------------------	------------------------------------------------------------------------------------	--------------------------------------------------------------------------------

THIS DRAWING AND ANY INFORMATION OR DESCRIPTIVE MATTER SET OUT HEREON ARE CONFIDENTIAL AND COPYRIGHT PROPERTY OF THE HARWIN GROUP AND MUST NOT BE DISCLOSED, LOANED, COPIED OR USED FOR MANUFACTURING, TENDERING OR FOR ANY OTHER PURPOSE WITHOUT THEIR WRITTEN PERMISSION.

**TOLERANCES**

X. = ±1mm  
X.X = ±0.25mm  
X.XX = ±0.10mm  
X.XXX = ±0.01mm

ANGLES = ±5°  
UNLESS STATED

**MATERIAL:**  
SEE ABOVE

**FINISH:**  
SEE ABOVE

**S/AREA:**  
mm<sup>2</sup>

**TITLE:** 1.00mm PITCH SMT  
HORIZONTAL BOTTOM  
CONTACT FPC (TAPE & REEL)

**DRAWING NUMBER:**  
**F10-280XX46R**

SHT  
3 OF 4

# Customer Information Sheet

DRAWING No.: F10-280XX46R

SHEET 4 OF 4

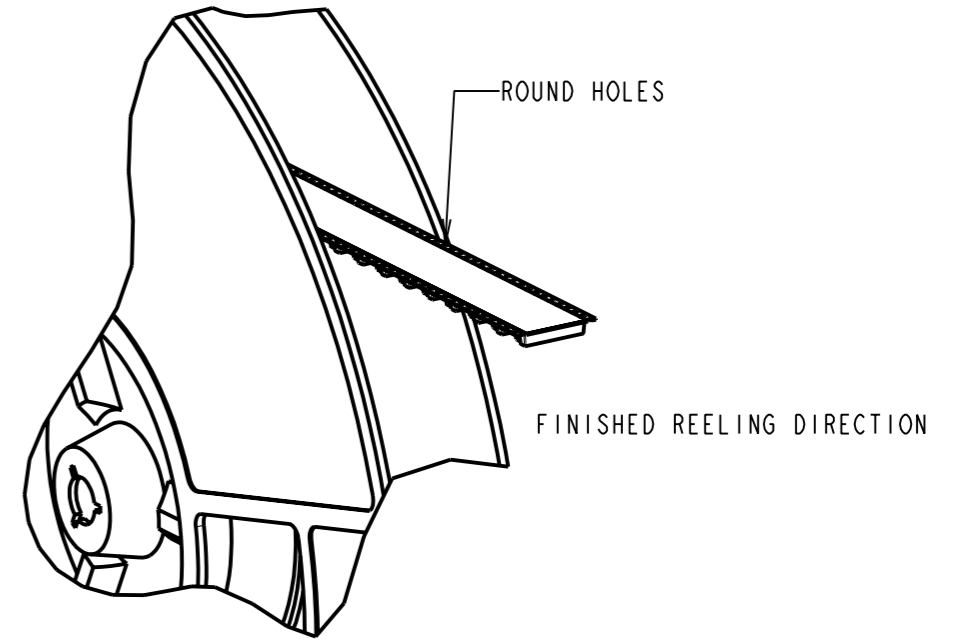
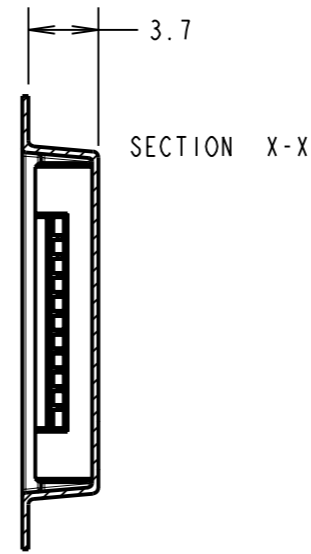
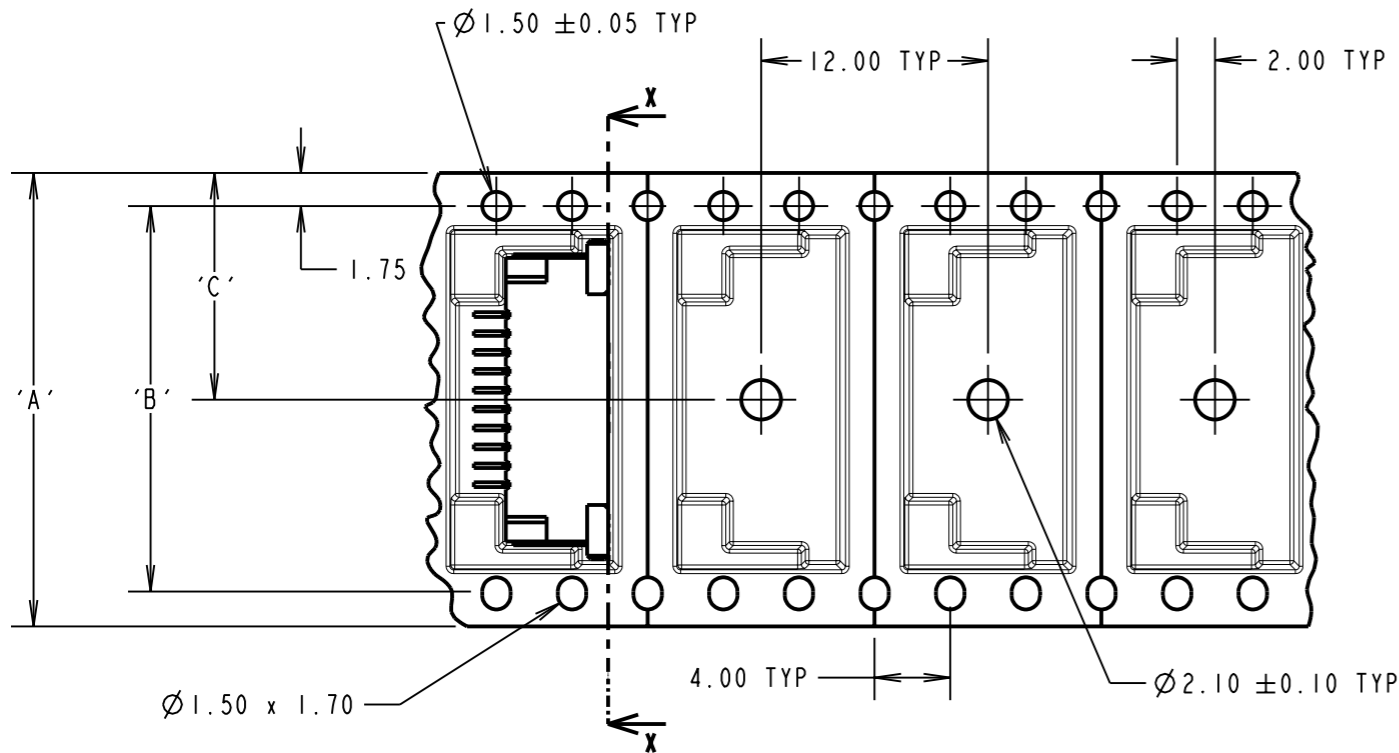
IF IN DOUBT - ASK

(C)

NOT TO SCALE

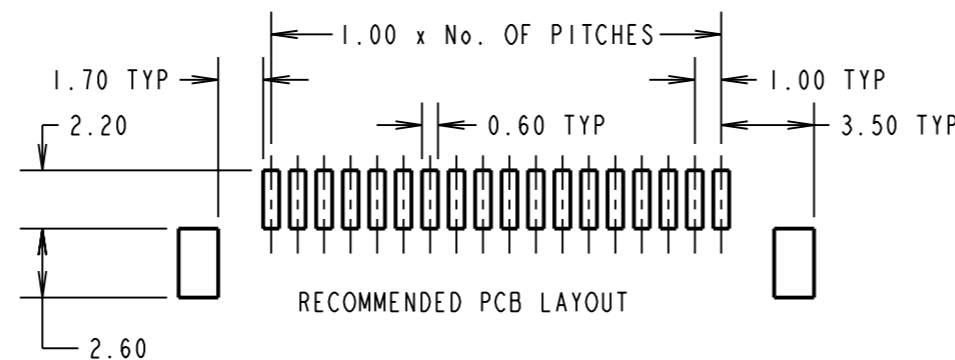
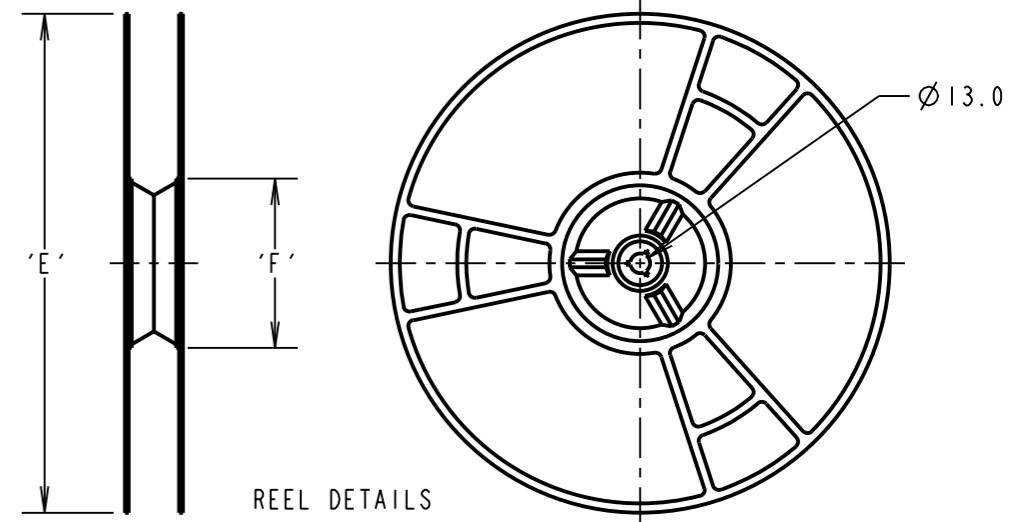
THIRD ANGLE PROJECTION

ALL DIMENSIONS IN mm

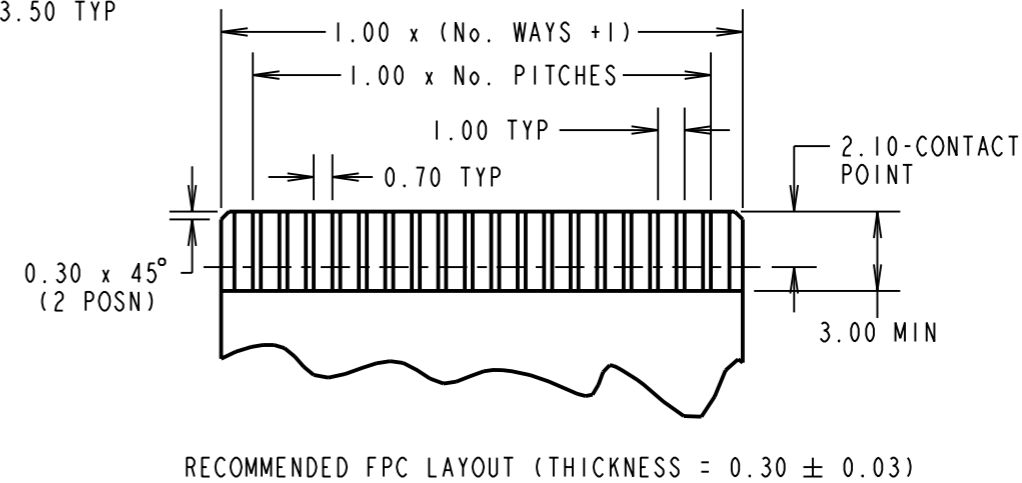


HARWIN PART No.	NO. OF WAYS	DIMENSION $\pm 0.20$					
		'A'	'B'	'C'	'D'	'E'	'F'
F10-2900346R	03	24.0		11.5	10.4	330	62
F10-2900446R	04				11.4		
F10-2900546R	05				12.4		
F10-2900646R	06				13.4		
F10-2900746R	07				14.4		
F10-2900846R	08				15.4		
F10-2900946R	09				16.4		
F10-2901046R	10				17.4		
F10-2901146R	11				18.4		
F10-2901246R	12				19.4		
F10-2901346R	13	32.0	28.4	14.2	20.4		
F10-2901446R	14				21.4		
F10-2901546R	15				22.4		
F10-2901646R	16				23.4		
F10-2901746R	17	44.0	40.4	20.2	24.4	360	100
F10-2901846R	18				25.4		
F10-2901946R	19				26.4		
F10-2902046R	20				27.4		
F10-2902146R	21				28.4		
F10-2902246R	22				29.4		
F10-2902346R	23				30.4		
F10-2902446R	24				31.4		
F10-2902546R	25				32.4		
F10-2902646R	26				33.4		
F10-2902746R	27	56.0	52.4	26.2	34.4		
F10-2902846R	28				35.4		
F10-2902946R	29				36.4		
F10-2903046R	30				37.4		

ORDER CODE:  
**F10-280XX46R**  
No. OF WAYS: 03 TO 38  
FINISH: 46 - 100% TIN



- NOTES:  
1. QUANTITY OF COMPONENTS PER REEL = 1500.  
2. FOR CONNECTOR DIMENSIONS SEE SHEET 3.  
3. TAPE & REELING TO BE IN ACCORDANCE WITH ELECTRONIC INDUSTRIES ASSOCIATION EIA-481-2-A.



SB	7	01.04.11	10825
NAME	ISS.	DATE	C/NOTE
APPROVED:		S.BENNETT	
CHECKED:		R.ADDE	
DRAWN:		D.BECK	
CUSTOMER REF.:			
ASSEMBLY DRG:			

<b>HARWIN</b>			<p>THIS DRAWING AND ANY INFORMATION OR DESCRIPTIVE MATTER SET OUT HEREON ARE CONFIDENTIAL AND COPYRIGHT PROPERTY OF THE HARWIN GROUP AND MUST NOT BE DISCLOSED, LOANED, COPIED OR USED FOR MANUFACTURING, TENDERING OR FOR ANY OTHER PURPOSE WITHOUT THEIR WRITTEN PERMISSION.</p>	<p>TOLERANCES X. = <math>\pm 1</math>mm X.X = <math>\pm 0.25</math>mm X.XX = <math>\pm 0.10</math>mm X.XXX = <math>\pm 0.01</math>mm ANGLES = <math>\pm 5^\circ</math> UNLESS STATED</p>	<p>MATERIAL: SEE ABOVE</p>	<p>FINISH: SEE ABOVE</p>	<p>S/AREA: mm<sup>2</sup></p>	<p>TITLE: 1.00mm PITCH SMT HORIZONTAL BOTTOM CONTACT FPC (TAPE &amp; REEL)</p>	
<p>HARWIN USA TEL: 603 893 5376 FAX: 603 893 5396 mis@harwin.com</p>	<p>HARWIN Europe (UK) TEL: 023 9231 4545 FAX: 023 9231 4590 mis@harwin.co.uk</p>	<p>HARWIN Asia TEL: +65 6 779 4909 FAX: +65 6 779 3868 mis@harwin.com.sg</p>						<p>DRAWING NUMBER: <b>F10-280XX46R</b></p>	