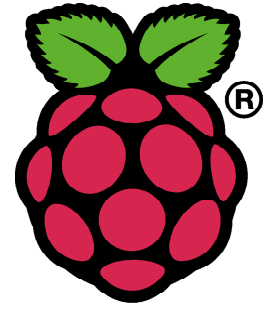


Raspberry Pi Power Supply



Features:

Built specifically for use with Raspberry Pi

Class II design 5vdc 1A output via Micro USB

Energy efficient to ErP stage 2



Description:

A 5vdc 1A Euro Micro USB power supply is manufactured specifically for use with the Raspberry Pi device. It offers a highly efficient output meeting latest CEC stage 2 (V) requirements and is safety approved.

This unit has fixed European pins and features short circuit and over current protection as standard. This Raspberry Pi power supply has M.T.B.F of 50K hours at 25 degrees C.



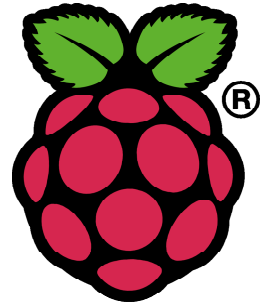
Part Number	RPI-PSU-EU-MK1
Output	5vdc 1A maximum
Current Min.	0.01A
Power (watts)	5W
Line Reg	+/-5% at rated load
Total Output Regulation	+/-5 % at 0—100% load
Ripple & Noise (mV p-p)	200mV P-P
Protections	Over Current and Short Circuit
Case Size	54 x 24 x 38mm
Weight (approx.)	70g
DC Cord	1.8 Metres
DC Plug	Micro USB
Rated Input Voltage	100-240Vac
Full Input Voltage Range	90-264Vac
Rated Frequency	50-60Hz
Full Frequency Range	47-63Hz
Efficiency	68.7%

Leakage Current	shall not exceed 0.25mA
Input Power	7.72W max
Input Current (RMS Max.)	0.18A max
Hi-Pot Spec	3000Vac 10mA 1 min. (I.P. to O.P.)
No load power consumption	0.3W max
Operating Temperature	0 to 40 degrees C
Storage Temperature	-20 to 80 degrees C
Operating Humidity	10% to 90%
Safety Approvals	TUV/VDE 60950-1 (UL)
EMC Standards	EN55022:2006+A1:2007 / EN6100-3-2 / EN6100-3-3
Pb-free	Yes RoHS Compliant
MTBF	50K Hours at 25 degrees C

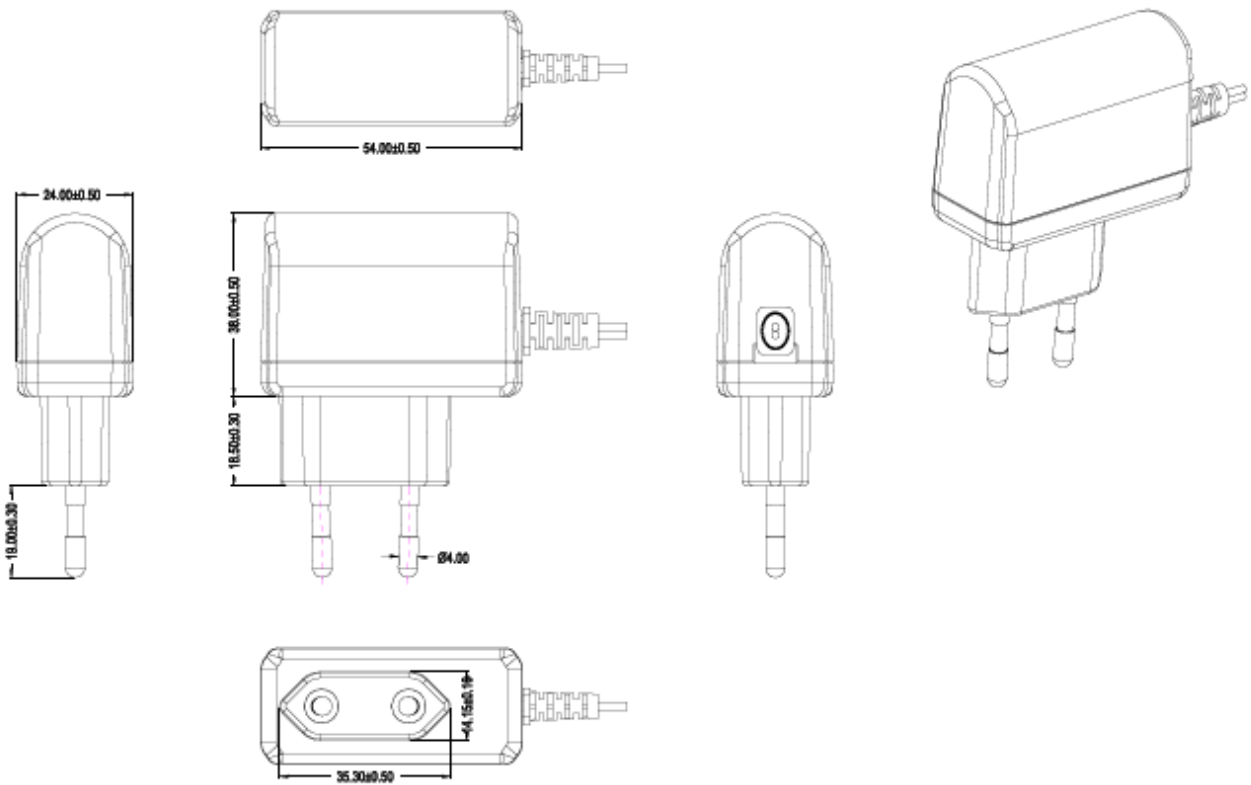
See mechanical drawing and DC cable drawing on page 2.

Full spec sheet on this PSU is available on request. Premier Farnell Ltd accepts no responsibility for typographical errors in the production of this leaflet. Product specifications are subject to change without notice

Raspberry Pi Power Supply



Mechanical drawing:



Output connector

