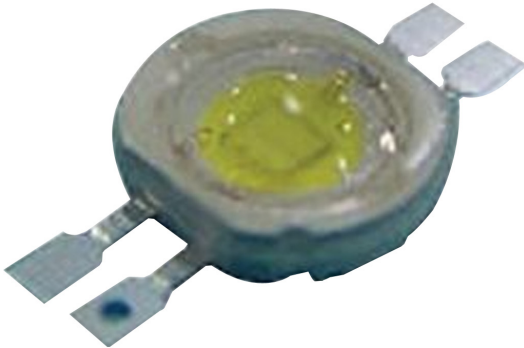


LED

5W Hi Power SMD White



Features:

- 5W High Luminous LED
- Excellent Heat Transfer

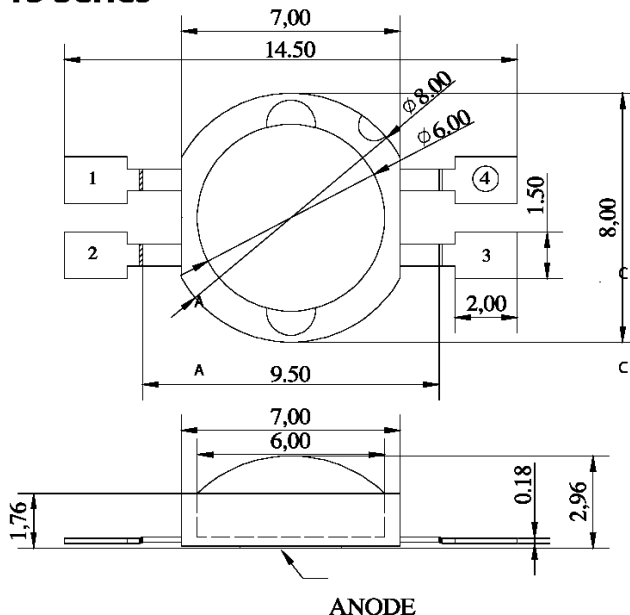
Specifications:

Series	: OSW-15
LED Colour	: Cool White
Forward Current If Max	: 1.5A
LED Mounting	: SMD
No. of Pins	: 4
Bulb Size	: 6mm

Maximum Ratings at Ta=25°C

Reverse Voltage (<100µA)	: 5V
D.C. Forward Current	: 1,500mA
Pulse Current (tp <100µS, duty cycle = 0.005)*1	: 2,000mA
Operating Temperature Range	: -40°C to +75°C
Storage Temperature Range	: -40°C to +100°C
Soldering Temperature Reflow Soldering	: 260°C for 10 secs
Soldering Temperature Hand Soldering	: 350°C for 3 secs

OSW-15 Series



Dimensions : Millimetres

Typical Electrical/Optical Characteristic Curves (25°C Ambient Temperature Unless Otherwise Noted)

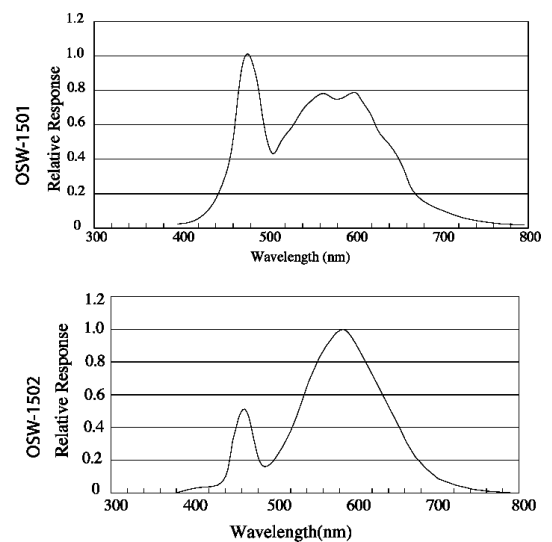


Fig.1 White Led Spectrum Vs. Wavelength

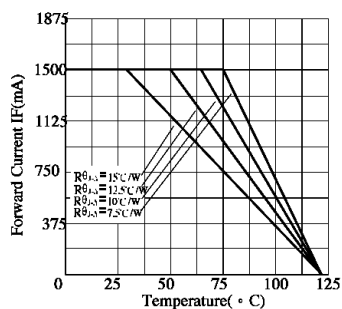


LED

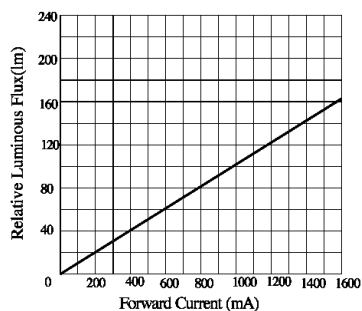
5W Hi Power SMD White



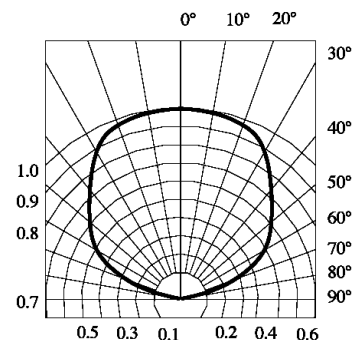
Diagram(s)



Ambient Temperature VS. Forward Current



Forward Current VS. Luminous Flux



Radiation Diagram

Electrical & Optical Characteristics at Ta = 25°C

LED Chip	Lens Colour	Correlated Colour Temperature (K)			Luminous Flux (lm) at 1500mA			Forward Voltage (V) at 1500mA		Viewing Angle 2θ ^{1/2} (deg)	Thermal Resistance Junction to Case (°C/W)	Reverse Current (µA)	Temp Co-Efficient of Forward Voltage (mV/°C)
		min.	typ.	max.	min.	typ.	max.	min.	max.				
White	Water Clear	5000	6500	9000	147	200	323	2.7	4.25	120	10	50	-2
Warm White		2700	3200	3700	113	150	248						

Dimensions : Millimetres

Part Number Table

Description	Part Number
LED 5W Hi Power SMD White	OSW-1501
LED 5W Rnd Hi Power SMD Warm White	OSW-1502

Important Notice : This data sheet and its contents (the "Information") belong to the members of the Premier Farnell group of companies (the "Group") or are licensed to it. No licence is granted for the use of it other than for information purposes in connection with the products to which it relates. No licence of any intellectual property rights is granted. The Information is subject to change without notice and replaces all data sheets previously supplied. The Information supplied is believed to be accurate but the Group assumes no responsibility for its accuracy or completeness, any error in or omission from it or for any use made of it. Users of this data sheet should check for themselves the Information and the suitability of the products for their purpose and not make any assumptions based on information included or omitted. Liability for loss or damage resulting from any reliance on the Information or use of it (including liability resulting from negligence or where the Group was aware of the possibility of such loss or damage arising) is excluded. This will not operate to limit or restrict the Group's liability for death or personal injury resulting from its negligence. Multicomp is the registered trademark of the Group. © Premier Farnell plc 2012.

