



Inductive proximity sensors
Rectangular housing, IQ25

IQ25-05BPPDU2S



Model Name > [IQ25-05BPPDU2S](#)
Part No. > [6042047](#)



At a glance

- Flat, compact design
- Long sensing distance up to 5 mm
- Easily visible indication LEDs
- Available in a metal housing
- Dimensions: 25 mm x 50 mm x 10 mm

Your benefits

- Reduced mechanical damage due to space-saving flat housing, which does not protrude from sensor
- Time-saving simple installation with one or two screws
- No restrictions on machine design



Features

| | |
|---------------------------|-----------------------|
| Housing: | Rectangular |
| Dimensions (W x H x D): | 25 mm x 50 mm x 10 mm |
| Sensing range Sn: | 5 mm |
| Assured sensing range Sa: | 4.05 mm |
| Installation type: | Flush |
| Switching frequency: | 500 Hz |
| Switching output: | PNP |
| Output function: | Complementary |
| Electrical wiring: | DC 4-wire |
| Enclosure rating: | IP 67 ¹⁾ |
| Connection type: | Cable, 4-wire, 2 m |

¹⁾ According to EN 60529

Mechanics/electronics

| | |
|---------------------------------|------------------------|
| Supply voltage: | 10 V DC ... 30 V DC |
| Ripple: | ≤ 15 % ¹⁾ |
| Voltage drop: | ≤ 2.5 V ²⁾ |
| Power consumption: | 32 mA ³⁾ |
| Time delay before availability: | ≤ 50 ms |
| Hysteresis: | 1 % ... 15 % |
| Repeatability: | ± 5 % ^{4) 5)} |
| Temperature drift (% of Sr): | ± 10 % |

| | |
|--------------------------------|--------------------------------|
| EMC: | According to EN 60947-5-2 |
| Output current I_a : | 200 mA |
| Cable material: | PUR |
| Conductor cross-section: | 0.25 mm ² |
| Cable diameter: | Ø 4.6 mm |
| Short-circuit protection: | ✓ |
| Reverse polarity protection: | ✓ |
| Shock/vibration: | 30 g, 11 ms/10 ... 55 Hz, 1 mm |
| Ambient operating temperature: | -25 °C ... 70 °C |
| Housing material: | Metal, GD Al Si 12 |
| Sensing face material: | Plastic, PBT |

1) Of V_S 2) At I_a max 3) Without load 4) U_b and T_a constant 5) Of S_r

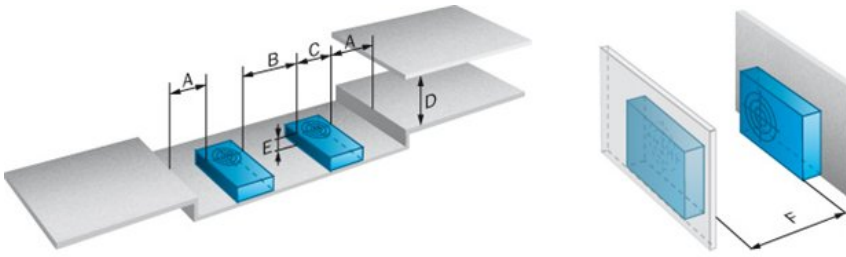
Reduction factors

| | |
|-----------------------------|--|
| Note: | The values are reference values which may vary |
| Stainless steel (V2A, 304): | Ca. 0.7 |
| Copper (Cu): | Ca. 0.3 |
| Aluminum (Al): | Ca. 0.4 |
| Brass (Br): | Ca. 0.4 |

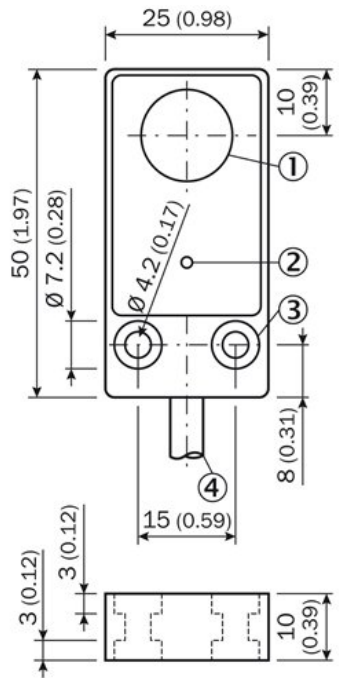
Installation note

| | |
|---------|---------------------------------------|
| A: | 0 mm |
| B: | 25 mm |
| C: | 25 mm |
| D: | 15 mm |
| E: | 0 mm |
| F: | 75 mm |
| Remark: | Associated graphic see "Installation" |

Installation note



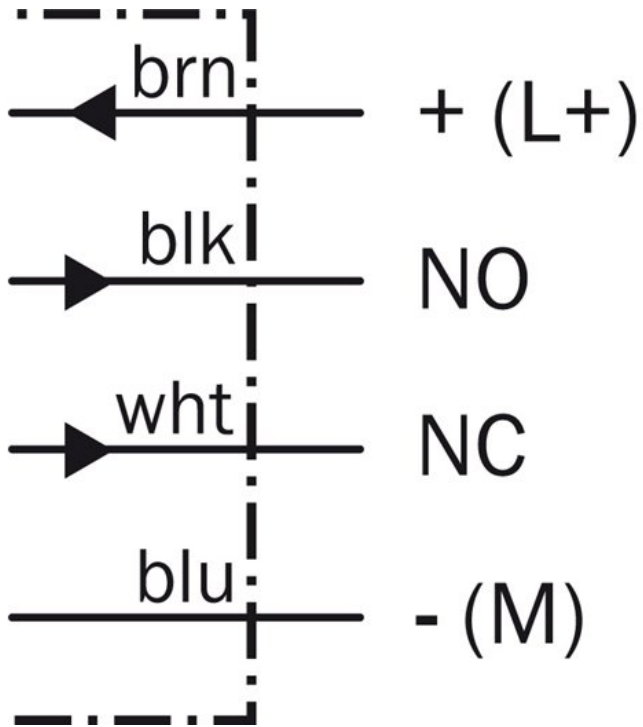
Dimensional drawing



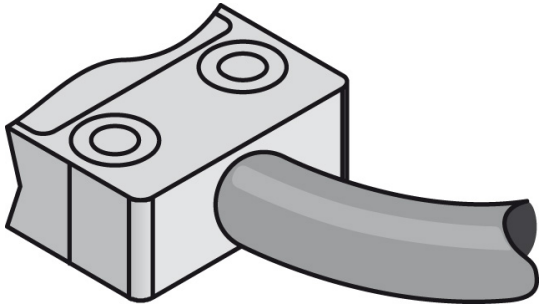
All dimensions in mm (inch)

- 1| Sensing face
- 2| Function signal indicator (green)
- 3| Mounting hole
- 4| Connection

Connection diagram



Connection type



Australia

Phone +61 3 9457 0600
1800 334 802 – tollfree
E-Mail sales@sick.com.au

Belgium/Luxembourg

Phone +32 (0)2 466 55 66
E-Mail info@sick.be

Brasil

Phone +55 11 3215-4900
E-Mail sac@sick.com.br

Canada

Phone +1(952) 941-6780
1 800-325-7425 – tollfree
E-Mail info@sickusa.com

Ceská Republika

Phone +420 2 57 91 18 50
E-Mail sick@sick.cz

China

Phone +86 4000 121 000
E-Mail info.china@sick.net.cn
Phone +852-2153 6300
E-Mail ghk@sick.com.hk

Danmark

Phone +45 45 82 64 00
E-Mail sick@sick.dk

Deutschland

Phone +49 211 5301-301
E-Mail kundenservice@sick.de

España

Phone +34 93 480 31 00
E-Mail info@sick.es

France

Phone +33 1 64 62 35 00
E-Mail info@sick.fr

Great Britain

Phone +44 (0)1727 831121
E-Mail info@sick.co.uk

India

Phone +91-22-4033 8333
E-Mail info@sick-india.com

Israel

Phone +972-4-6801000
E-Mail info@sick-sensors.com

Italia

Phone +39 02 27 43 41
E-Mail info@sick.it

Japan

Phone +81 (0)3 3358 1341
E-Mail support@sick.jp

Magyarország

Phone +36 1 371 2680
E-Mail office@sick.hu

Nederlands

Phone +31 (0)30 229 25 44
E-Mail info@sick.nl

Norge

Phone +47 67 81 50 00
E-Mail austefjord@sick.no

Österreich

Phone +43 (0)22 36 62 28 8-0
E-Mail office@sick.at

Polska

Phone +48 22 837 40 50
E-Mail info@sick.pl

România

Phone +40 356 171 120
E-Mail office@sick.ro

Russia

Phone +7-495-775-05-30
E-Mail info@sick.ru

Schweiz

Phone +41 41 619 29 39
E-Mail contact@sick.ch

Singapore

Phone +65 6744 3732
E-Mail admin@sicksgp.com.sg

Slovenija

Phone +386 (0)1-47 69 990
E-Mail office@sick.si

South Africa

Phone +27 11 472 3733
E-Mail info@sickautomation.co.za

South Korea

Phone +82 2 786 6321/4
E-Mail info@sickkorea.net

Suomi

Phone +358-9-25 15 800
E-Mail sick@sick.fi

Sverige

Phone +46 10 110 10 00
E-Mail info@sick.se

Taiwan

Phone +886-2-2375-6288
E-Mail sales@sick.com.tw

Türkiye

Phone +90 (216) 528 50 00
E-Mail info@sick.com.tr

United Arab Emirates

Phone +971 (0) 4 8865 878
E-Mail info@sick.ae

USA/México

Phone +1(952) 941-6780
1 800-325-7425 – tollfree
E-Mail info@sickusa.com

More representatives and agencies
at www.sick.com