

8 7 6 5 4 3 2 1

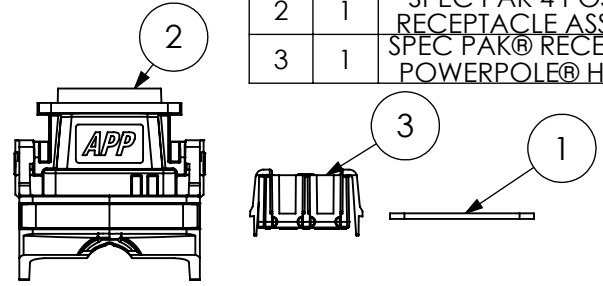
THE INFORMATION CONTAINED IN THIS DRAWING IS THE SOLE PROPERTY OF ANDERSON POWER PRODUCTS. ANY REPRODUCTION IN PART OR WHOLE WITHOUT THE WRITTEN PERMISSION OF ANDERSON POWER PRODUCTS IS PROHIBITED.

Copyright 2010

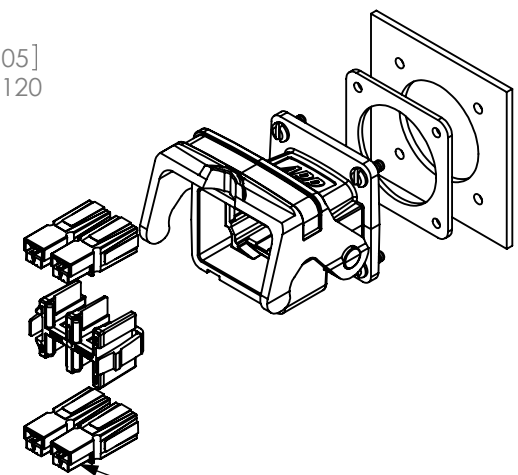
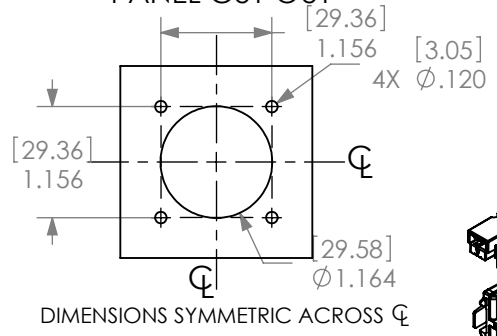
ANDERSON POWER PRODUCTS RESERVES THE RIGHT TO ALTER PRODUCT TYPES, THEIR TECHNICAL DATA, DIMENSION, STYLE AND ACCESSORIES WITHOUT PRIOR NOTIFICATION.

RECEPTACLE KIT

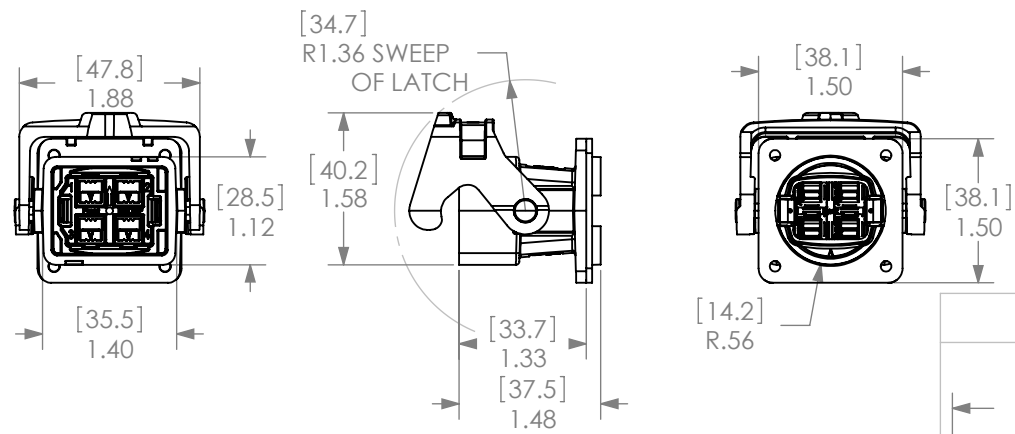
ITEM	QTY.	DESCRIPTION
1	1	RECEPTACLE GASKET
2	1	SPEC PAK 4 POSITION RECEPTACLE ASSEMBLY
3	1	SPEC PAK® RECEPTACLE POWERPOLE® HOLDER



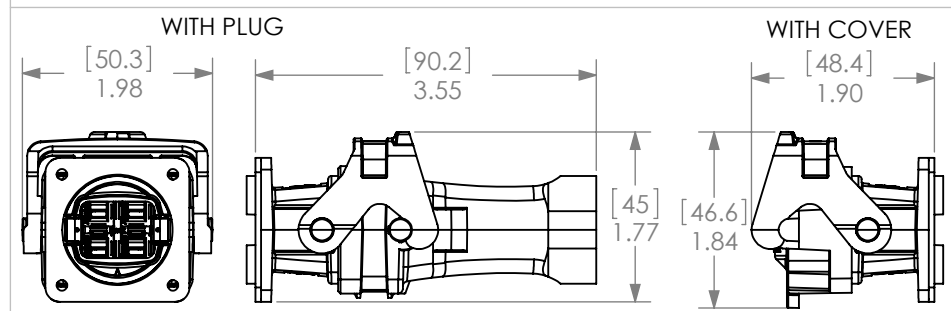
PANEL CUT-OUT



NOTE: POWERPOLES ORDERED SEPARATELY



RECEPTACLE MATED LENGTHS



NOTES:

- MATERIAL:
A. RECEPTACLE HOUSING- GLASS FILLED PBT, BLACK
B. HOLDER- POLYCARBONATE, BLACK
C. PANEL GASKET- NBR, BLACK
- REFER TO ASSEMBLY INSTRUCTIONS
- FOR USE WITH PP15/45 POWERPOLE CONTACTS AND HOUSINGS ONLY

DIMENSIONS ARE IN:	INCH [MM]	APPROVALS		<p>ANDERSON POWER PRODUCTS</p>
UNLESS OTHERWISE STATED		DRAWN	CMS 4/6/2009	
TOLERANCES:		CHECKED	DJD 4/7/2009	
DECIMALS (INCH) .XX ±.02		MFG APPRV	CHB 4/8/2009	
ANGLES ±2°		QC APPRV	UFN 4/7/2009	TITLE
SURFACE FINISH:		ENG APPRV	DAM 4/7/2009	SPEC PAK: SK2-050B04 3 4
MACHINED 128 [3.2] ✓		SIZE	A	DWG NO.
MOLDED 64 [1.6] ✓		SCALE	NONE	114854S1
MATERIAL: SEE NOTES		CADFILE	02892	REV.
FINISH: N/A		SHEET	1 OF 1	3
3rd ANGLE PROJECTION		-CAD GENERATED DRAWING- DO NOT MANUALLY UPDATE DO NOT SCALE		

REV.	DESCRIPTION	APPRV	DATE
3	ECRN-15086	TWE	3/13/2012
2	ECRN 14894	JHN	7/20/2011
1	ECRN 14753: MINOR REFERENCE ERRORS FIXED	JHN	12/7/2010
REVISIONS			

8 7 6 5 4 3 2 1