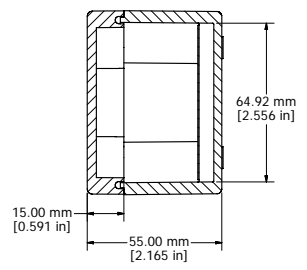
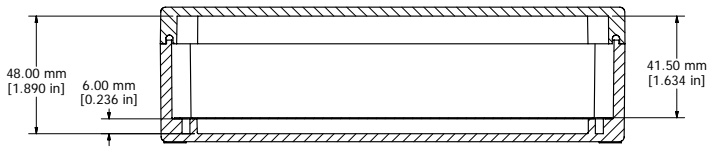


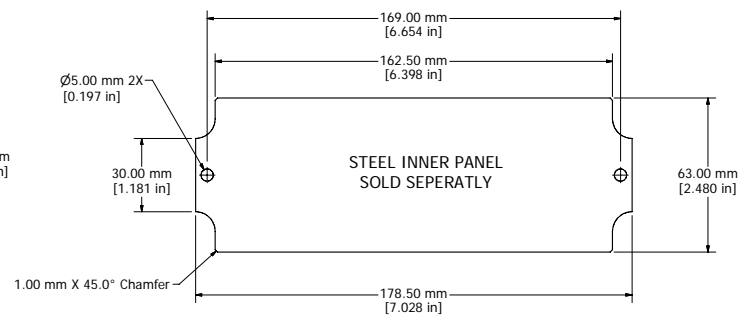
ASSEMBLY



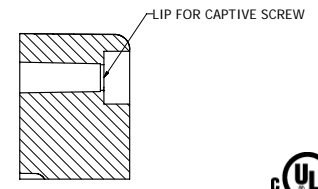
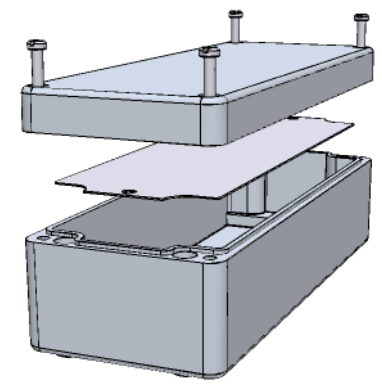
SECTION A-A



SECTION B-B

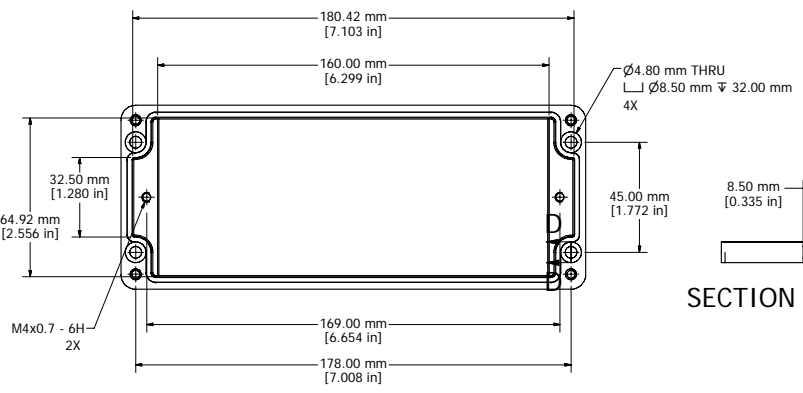


INNER PANEL

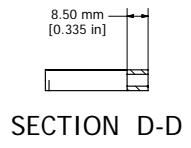


SECTION C-C

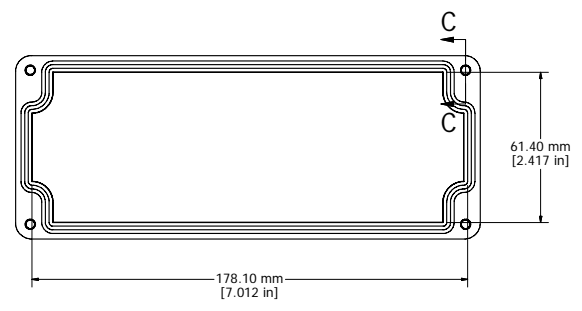
UL US LISTED
File #E65324
NEMA 4, 4X



BOX - INSIDE



SECTION D-D



LID - INSIDE

FIBERGLASS ENCLOSURE	
INCLUDES	
1	ENCLOSURE
4	M4 x 25mm PAN HEAD SCREWS
ACCESSORIES	
STEEL INNER PANEL	1590ZGRP131PL

HAMMOND MANUFACTURING™
1590ZGRP131
www.hammondmfg.com