

**SPDT SECTION**

**SECTION 2**

**Pages**

**SLIM LINE series** .....  
 SMT Power Micro-SPDT with 10 GHz capabilities: R596 Series ..... 2-2 to 2-11

**RAMSES Series** .....  
 SPDT up to 50 GHz: R570 Series (miniature models) ..... 2-12 to 2-15  
 SPDT up to 50 GHz: R572 Series (miniature: Low Consumption & Reduced Size models) ..... 2-16 to 2-19  
 SPDT up to 18 GHz: R570 Series (Standard models) ..... 2-20 to 2-23

**Electrical Schematics** .....  
 R570 & R572 Series ..... 2-24 to 2-27

**PLATINUM Series** .....  
 High Performance SPDT up to 26.5 GHz: R595 Series ..... 2-28 to 2-33

**OPTIONAL FEATURES** ..... 2-34

**SPDT PRODUCTS SELECTION GUIDE**

Quick access to the right page:

Connector	Frequency								
	DC - 2.5	DC - 3	DC - 6	DC - 8	DC - 12.4	DC - 18	DC - 26.5	DC - 40	DC - 50
DIN1.6/5.6	2-12 / 2-16								
SMB/SMC		2-12 / 2-16							
Mini SMB		2-12 / 2-16							
BNC		2-20							
QMA			2-12 / 2-16						
SMT			2-20						
PC Board				2-12					
N					2-20				
TNC						2-20			
SMA							2-12 / 2-16		
SMA2.9								2-12 / 2-16	
2.4mm									2-12 / 2-16

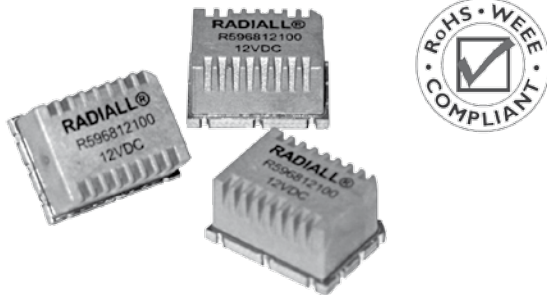
For more detailed technical information please consult Radiall customer support.

# SMT POWER MICRO SPDT with 10 GHz capabilities

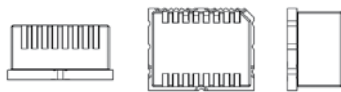
MICRO SPDT  
RELAYS

## SURFACE MOUNT TECHNOLOGY

Patent pending

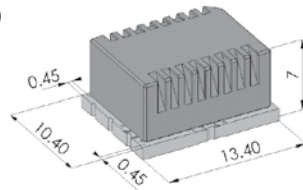


ACTUAL SIZE



TYPICAL OUTLINE DRAWING

(All dimensions in mm)



An innovative and original «micro-mechanical» design allows the R596 SMT micro-relay to bring together the excellent reliability, RF and repeatability characteristics of coaxial switches with the miniature size and low cost implementation of surface mount components.

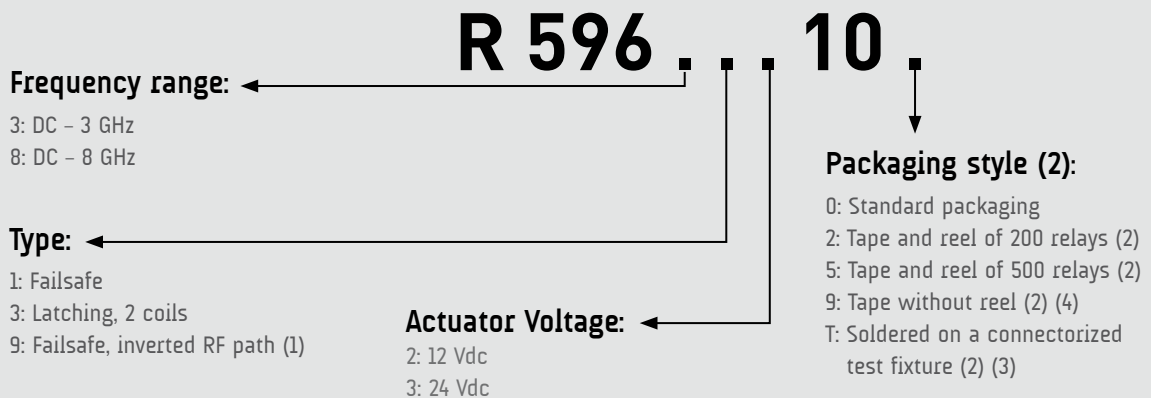
Very low return loss and insertion loss allow this relay to be used in power applications, as well as in typical SMT relay applications such as RF attenuators, RF matrices, spectrum analysers, and telecommunications.

Failsafe models are offered in two RF configurations (direct and inverted): The association of these two products on the same PC board enables the product to perform the «BYPASS» function. (For Bypass mounting, further information is available on page 2-8).

Example of P/N:

R596813100 is a SPDT SMT 8 GHz, 24 Vdc, failsafe, standard packaging.

## PART NUMBER SELECTION



(1): To be associated with a failsafe model, so as to achieve the “BYPASS” function (see application details on page 2-8)

(2): Non standard packaging symbols (2, 5, 9 or T) are not marked on the relay

(3): See details about test fixture dimensions on page 2-4

(4): Tape delivered without reel, available for all specific quantities up to 200 pieces

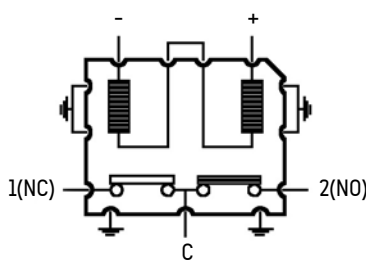
To download technical data sheets, visit [www.radiall.com](http://www.radiall.com) & enter the part number in the Search box.  
For more detailed technical information please consult Radiall customer support.

GENERAL SPECIFICATIONS

Operating mode		Failsafe (types 1 and 9)		Latching (type 3)	
Nominal operating voltage (across temperature range)	Vdc	12 (10.2 to 13)	24 (20.5 to 30)	12 (10.2 to 13)	24 (20.5 to 30)
Coil resistance at 23°C (+/-10%)	Ohms	330	1130	205	865
Operating current at 23°C	mA	36	25	58	32
RF and command ports		½ hole gold plated, Infrared reflow, forced air oven or hand soldering (Compatible with "lead free" soldering processes)			
Switching time at nominal voltage	Making contacts	Max 4ms (typical 1.8ms), including contact bounce time			
	Breaking contacts	Max 1ms (typical 0.5ms)			
Life	- Cold switching (max 120 cycles/min)	2 million cycles			
	- Hot switching (max 20 cycles/min)	500.000 cycles (1W, impedance 50Ω, V.S.W.R. < 1.25)			
Insulation	Dielectric test voltage	300 Vrms			
	Insulation resistance at 500Vdc	> 100 MOhms			
Environmental protection		"LEAD FREE" construction - Waterproof (acc. To IEC 60529 / IP67)			
Mass		< 2g			
Operating temperature range (with no icing nor condensation)	°C	Failsafe		Latching	
		-25 to +85 (5)		-40 to +85	
Storage temperature range		-55 to +85			
Sine vibration (MIL STD 202, Method 204D)	- Condition D: 10-2000 Hz, 20g	operating			
	- Condition G: 10-2000 Hz, 30g	non operating			
Random vibration (MIL STD 202, Method 214A, Profile I)	- Condition F: 50-2000 Hz, 20.71g	operating			
	- Condition H: 50-2000 Hz, 29.28g	non operating			
Shocks (According to MIL STD 202, Method 213B, Cond. C)		100g / 6 ms, ½ sine			

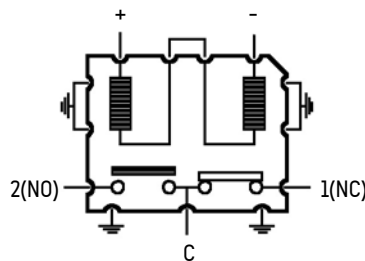
(5): Failsafe models may be used down to -40°C, but if coil remains permanently supplied at nominal voltage, the holding current value must be reduced by 45% to 55% so as to avoid internal condensation. (for more details, see RADIALl application note AN-R596-51 on page 2-10).

PIN IDENTIFICATION (TOP VIEW)



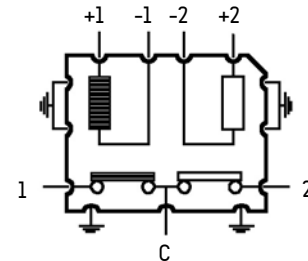
Failsafe model  
(type 1)

Voltage	RF continuity
De-energized	C <--> 1(NC)
Energized	C <--> 2(NO)



Inverted failsafe model for  
bypass applications (type 9)

Voltage	RF continuity
De-energized	C <--> 1(NC)
Energized	C <--> 2(NO)



Latching model  
(type 3)

Voltage	RF continuity
-1 +1	C <--> 1
-2 +2	C <--> 2

To download technical data sheets, visit [www.radiall.com](http://www.radiall.com) & enter the part number in the Search box. For more detailed technical information please consult Radiall customer support.

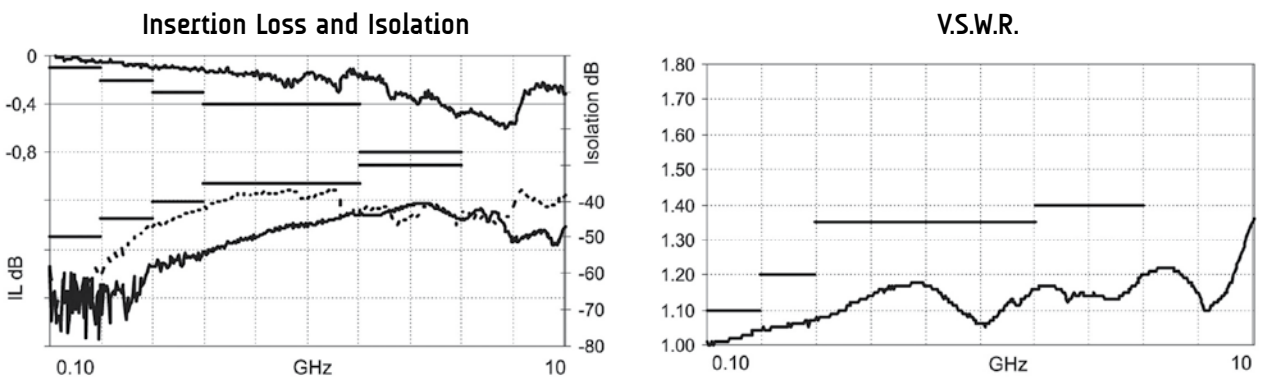
# SMT POWER MICRO SPDT with 10 GHz capabilities

MICRO SPDT RELAYS

## RF PERFORMANCES (S parameters available on request)

Frequency Range GHz	V.S.W.R. (max)	Insertion Loss (max) dB	Isolation (min) dB		Average power W (see page 2-5)		Third order Inter modulation	Impedance Ohms	
			switch alone	switch + board layout (6)	cold switching	hot switching			
DC - 3	DC - 1	1.10	0.10	50	50	400	50	-120 dBc typical (2 carriers 20W)	50
	1 - 2	1.20	0.20	45	40	280	50		
DC - 8	2 - 3	1.35	0.30	40	30	175	40		
	3 - 6	1.35	0.40	35	30	50	25		
	6 - 8	1.40	0.80	30	30	35	5		

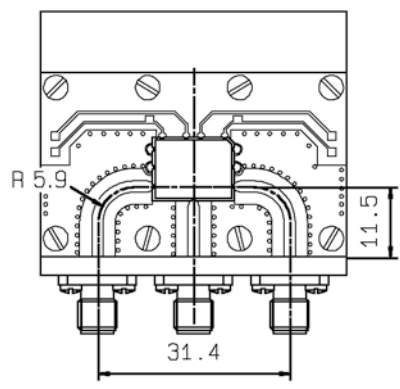
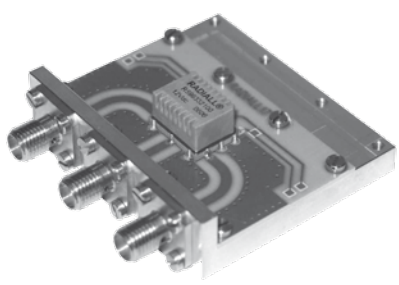
## TYPICAL RF PERFORMANCE



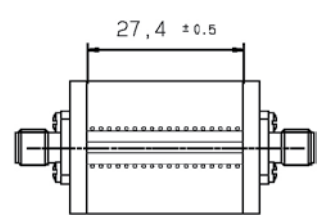
(6): taking account of the reduction of isolation due to coupling between PCB microstrip lines (see isolation dotted curve above and measurement method below)

## MEASUREMENT METHOD

Relay soldered on test fixture (7)



Calibration board



Inputs/Outputs of the calibration board and test fixture are equipped with SMA type receptacle connectors, RADIALL part number R125 510 000. The length of the RF tracks are the same on the calibration board and the test fixture circuits. The insertion loss of the relay itself is calculated by subtracting the insertion loss of the "calibration board" to the insertion loss of the "relay welded on the test fixture".

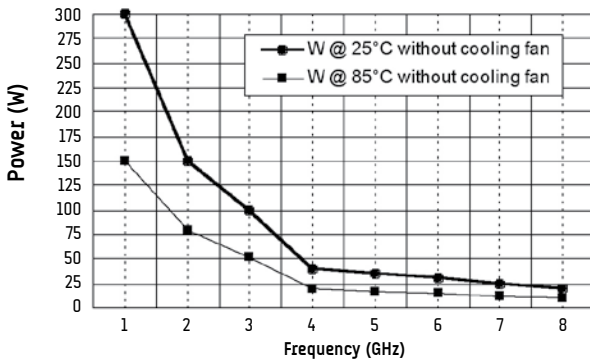
(7): Relay soldered on Test Fixture available. To order, please use the suffix « T » (part number R596 - - - - T), as explained in page 2-2.

## RF POWER RATING For COLD SWITCHING USE (Impedance 50 Ohms, V.S.W.R. < 1.25)

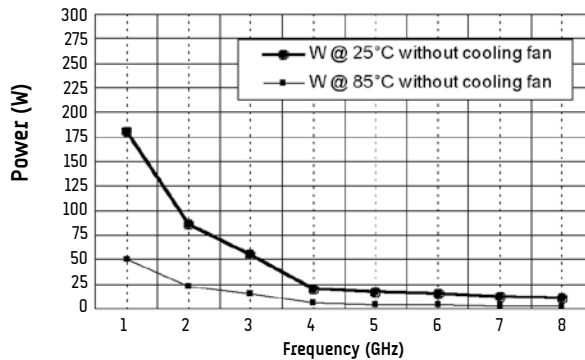
Power level depends on environmental conditions:

- R596 series have been designed to be used without a cooling fan even for high power applications. However, the power capability may be still improved by using the appropriate cooling fan.
- For failsafe models used with coil permanently supplied (N/O position), the same power level as latching models may be applied: see on application note N° AN-R596-51 on page 2-10, how to implement a “low holding current” function on your PC board, so as to avoid internal overheating and increase the RF power level.

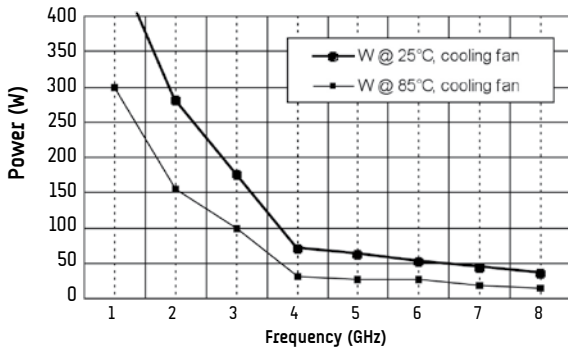
**NO COOLING FAN - LATCHING (all models)**  
FAILSAFE: NC pos. & NO with low holding voltage



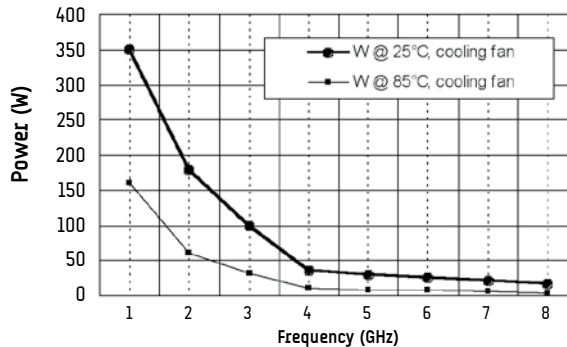
**NO COOLING FAN**  
FAILSAFE: NO pos. Supplied at nominal voltage



**WITH COOLING FAN - LATCHING (all models)**  
FAILSAFE: NC pos. & NO with low holding voltage

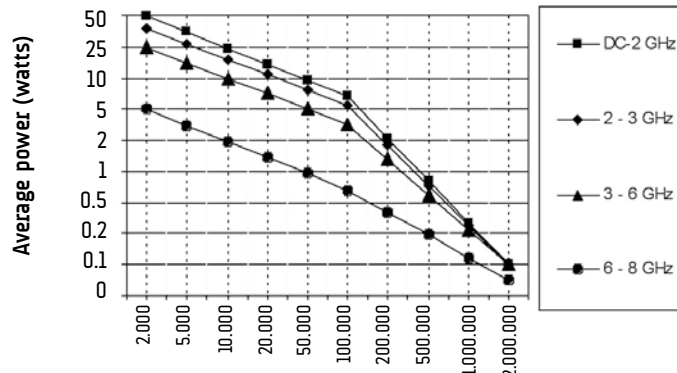


**WITH COOLING FAN**  
FAILSAFE: NO pos. Supplied at nominal voltage



## LIFE DERATING CURVE FOR HOT SWITCHING USE (Impedance 50 Ohms, V.S.W.R. < 1.25) General Specifications

Impedance 50Ω  
V.S.W.R. < 1.25  
max switching frequency:  
30 cycles per mn



To download technical data sheets, visit [www.radiall.com](http://www.radiall.com) & enter the part number in the Search box.  
For more detailed technical information please consult Radiall customer support.

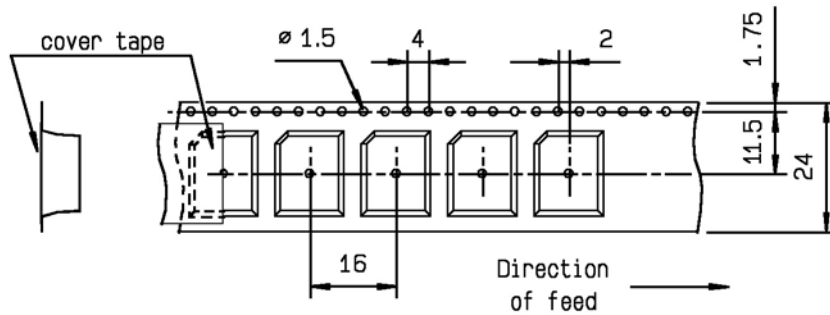
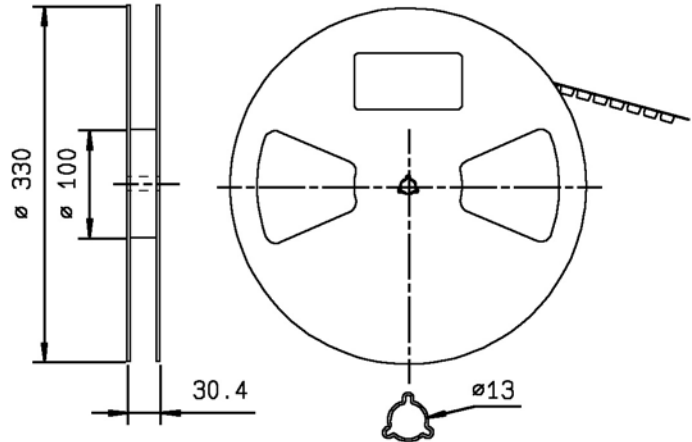
**SMT POWER MICRO SPDT with 10 GHz capabilities**

MICRO SPDT  
RELAYS

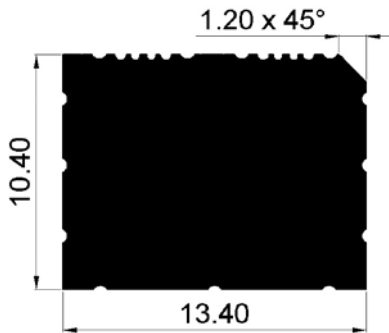
**RELAY PACKAGING**

ACCORDING TO IEC 286-3 STANDARD

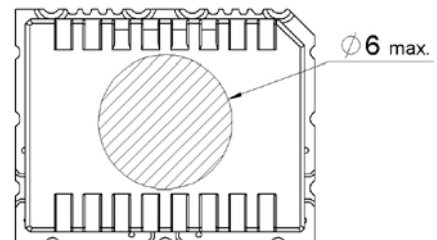
MATERIALS:  
 Reel: polyester  
 Carrier tape: antistatic PETG (polyester)  
 Cover tape: polyester



Video shadow of the relay



Aspiration Area



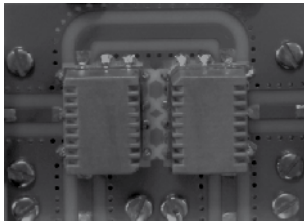




# SMT POWER MICRO SPDT with 10 GHz capabilities

MICRO SPDT  
RELAYS

## BYPASS APPLICATION: FAILSAFE MICRO-RELAY TYPICAL IMPLANTATION

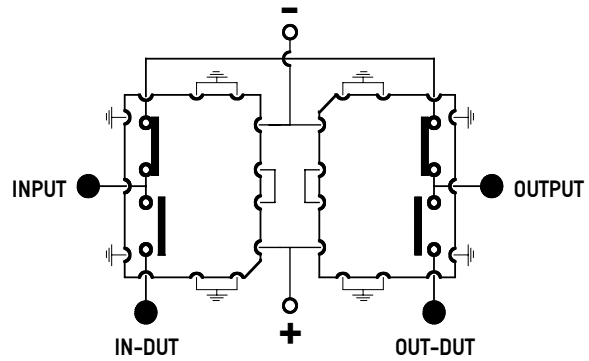
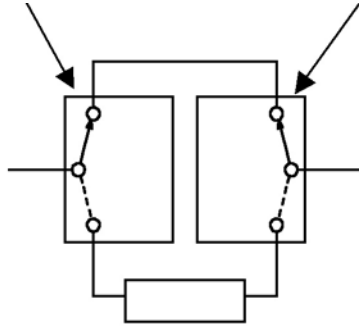


ACTUAL SIZE

SPDT relays (Single Pole Double Throw) can be used to achieve a Bypass switch function. For SMT applications, R596 series, relays are available in two failsafe versions, standard and inverted, to provide symmetric RF ports implantation possibility. The “side by side” implementation of these two versions on a PCB effectively produces the «BYPASS» function: the package size is reduced and interconnecting tracks are shortened. As required to protect the receiver for transmit/receive applications, and depending on the distance between the two relays, this configuration can achieve high isolation levels, up to 80 dB @1GHz, 70 dB @ 2 GHz, and 60 dB @ 6GHz.

## BYPASS TYPICAL IMPLANTATION & PIN IDENTIFICATION (TOP VIEW)

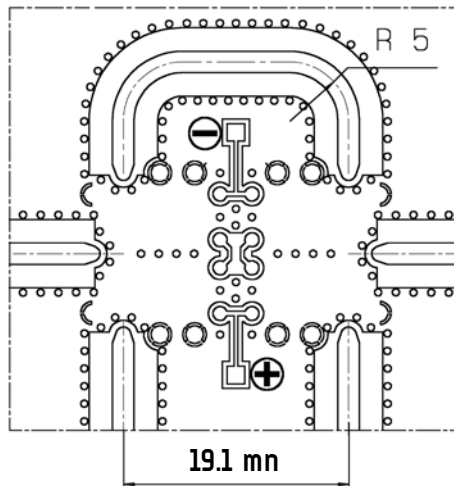
R596.X1X.XXX / R596.X9X.XXX



Voltage	RF continuity
De-energized	INPUT <--> OUTPUT (direct line)
Energized	INPUT <--> IN-DUT / OUT-DUT <--> OUTPUT

## BYPASS PC BOARD MOUNTING

Example of Board layout for BYPASS application.



(See detailed board layout on page 2-7)



## RECOMMENDED SOLDERING PROCEDURE

### A-Soldering procedure using automatic pick and place equipment

#### 1-Solder paste:

R596 series are « Lead Free », and Lead Free Sn-Ag3.5-Cu0.7 solder cream may be used as well as standard Sn63-Pb35-Ag2. RADIALL recommends using a « no clean - low residue » solder cream (5% solid residue of flux quantity) that will permit the elimination of the cleaning operation step after soldering. Note: Due to the gold plating of the switch PCB interface, it is important to use a paste made with silver. This will help in avoiding formation of intermetallics as part of the solder joint.

#### 2-Solder paste deposition:

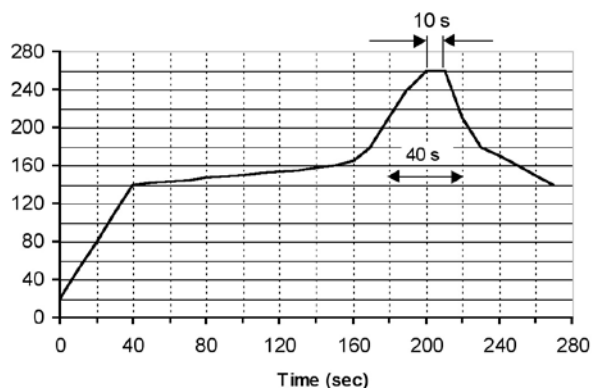
Solder cream may be applied on the board with screen printing or dispenser technologies. For either method, the solder paste must be coated to appropriate thickness and shapes to achieve good solder wetting. Please optically verify that the edges of the zone are clean and without contaminates, and that the PCB zoned areas have not oxydated. The design of the mounting pads and the stenciling area are given on page 2-7, for a thickness of the silk-screen printing of 0.15 mm (0.006 ").

#### 3-Placement of the component:

For small lightweight components such as chip components, a self-alignment effect can be expected if small placement errors exist. However, this effect is not as expected for relays components and they require a accurate positioning on their soldering pads, typically +/- 0.1mm (+/-0.004"). Place the relay onto the PCB with automatic pick and place equipment. Various types of suction can be used. RADIALL does not recommend using adhesive agents on the component or on the PCB.

#### 4-Soldering: infra-red process:

Please follow the RADIALL recommended temperature profile for infra-red reflow or forced air convection:



Higher temperature (>260°C) and longer process duration would damage permanently the switches.

#### 5-Cleaning procedure:

On miniature relays, high frequency cleaning may cause the contacts to stick. If cleaning is needed, please avoid ultrasonic cleaning and use alcohol based cleaning solutions.



In-line cleaning process, spraying, immersion, especially under temperature, may cause a risk of degradation of internal contacts.

#### 6-Quality check:

Verify by visual inspection that the component is centered on the mounting pads. Solder joints: verify by visual inspection that the formation of meniscus on the pads are proper, and have a capilarity amount upper the third of the height.

### B-Soldering procedure by manual operation

#### 1-Solder paste and flux deposition:

Refer to procedure A - 1

Deposite a thin layer of flux on mounting zone. Allow the flux to evaporate a few seconds before applying the solder paste, in order to avoid dilution of the paste.

#### 2-Solder paste deposition:

RADIALL recommends depositing a small amount of solder paste on the mounting zone area by syringe. Be careful, not to apply solder paste outside of the zone area.

#### 3-Placement of the component:

During manipulation, avoid contaminating the lead surfaces by contact with fingers. Place the component on the mounting zone by pressing on the top of the relay lid.

#### 4-Hand soldering:

Iron wattage 30 to 60 W. Tip temperature 280 to 300°C for max. 5 seconds To keep good RF characteristics above 3GHz, it is important to solder RF ports first, and apply pressure on the relay lid during all the soldering stage, so as to reduce the air gap between the PC board and the relay.

#### 5-Cleaning procedure:

Refer to procedure A - 5.

#### 6-Quality check:

Verify by visual inspection that component is centred on the mounting pads.

Solder joints: verify by visual inspection that the formation of meniscus on the RF pads are proper, and have a capilarity amount higher than one third of the height.

SMT POWER MICRO SPDT with 10 GHz capabilities

SLIM LINE Series

SPDT

APPLICATION NOTE AN-R596-051

Subject: How to use failsafe R596 micro-relays over all the guaranteed temperature range, in icing or condensation environmental conditions.



RF and electrical characteristics are guaranteed on all failsafe R596 switches over their operating temperature range (-25°C to +85°C), and under “no icing nor condensation” conditions.

In extreme applications, with failsafe models used at low temperature, continuously in the N/O position (coil permanently supplied), N/C contact failures may occur, due to the high gradient of temperature between the coil (heated by the permanent power 500mW) and the RF paths.

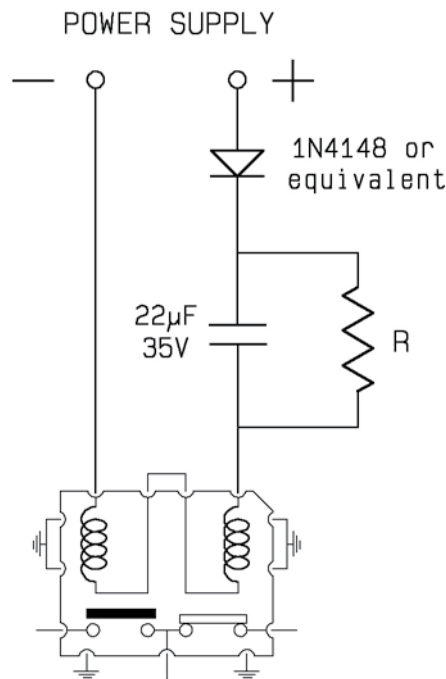
N/O contact resistance remains satisfactory, but condensation deposits ice on the open contact N/C, and when power is cut, the N/C position is not correctly established.

Failsafe models can be driven continuously energized from -40°C, if the coil is not permanently supplied at nominal voltage, to avoid heating and internal condensation: once the relay has switched, the operating voltage must be reduced by 50% +/-5%. This low holding voltage is possible on R596 series, as it is enough to maintain the switch in “energized” position (for instance 5.4V to 6.6V for a 12V model). Furthermore it allows the user to save energy, by combining the advantages of latching and failsafe models.

This “holding current” function can be achieved by the implementation of a simple electronic drive on the command PC Board (1 resistor, 1 diode and 1 capacitor), for 12V and 24V models. A typical circuit design is shown on the schematic below. A few milliseconds after switching, the current is divided by two, and the absorbed power is divided by four (i.e. 6V and 110mW for a 12V model).

To reduce the voltage by 50%, the value of resistance R must be equal to the total resistance of the switch coil:

- 12V models: 330 Ohms 1/4W
- 24V models: 1200 Ohms 1/4W



R596 FAILSAFE RELAY

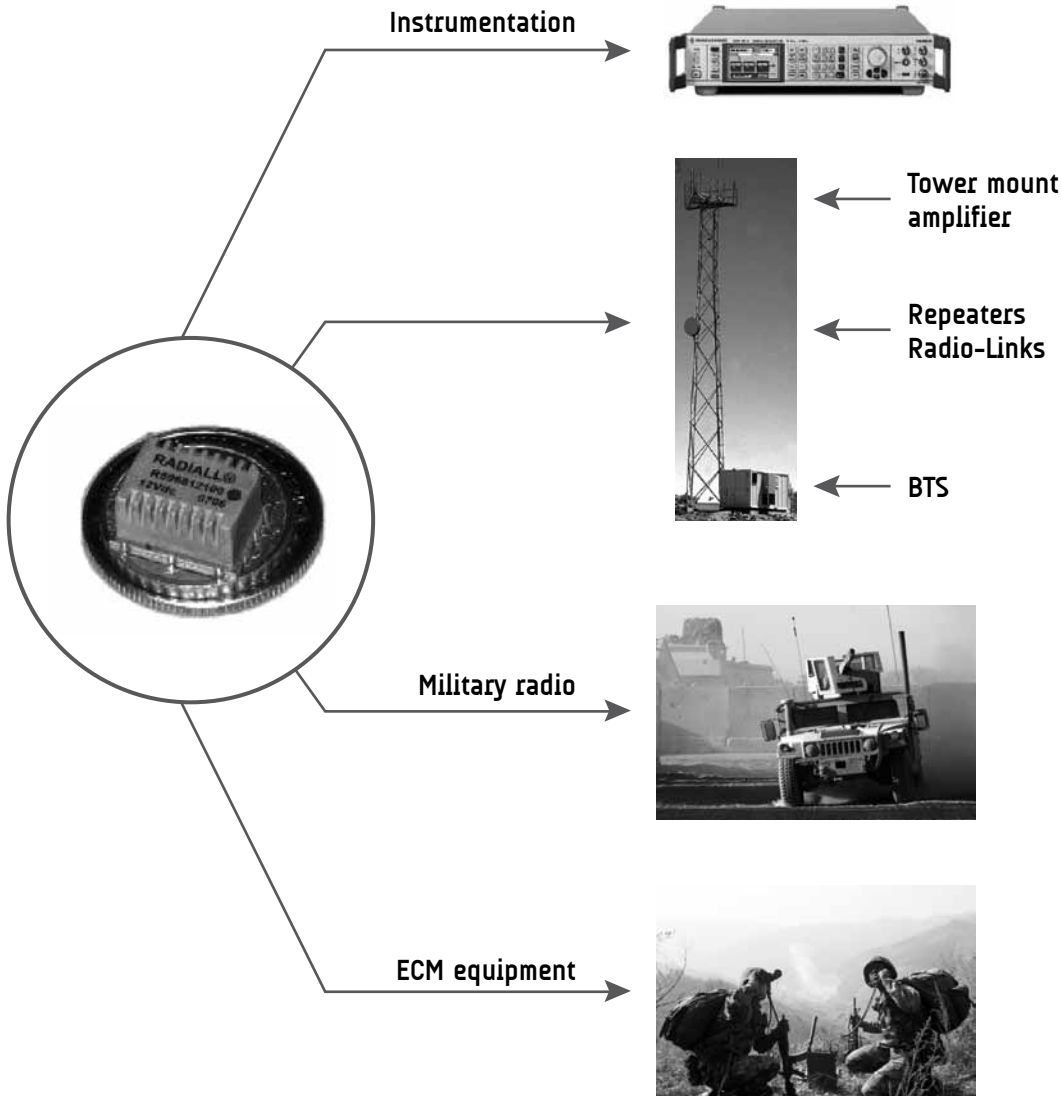
To download technical data sheets, visit [www.radiall.com](http://www.radiall.com) & enter the part number in the Search box. For more detailed technical information please consult Radiall customer support.

## EXAMPLE OF SMT APPLICATIONS

The SMT Series offers a large range of products which can be used in many applications such as:

- Tower mount amplifiers
- Instrumentation
- Military radios
- ECM equipment
- BTS
- Radio-Links
- Repeaters

These products offer the same RF Board and soldering process as all RF components but with a reduced weight and size. They are also specified for all market specifications.

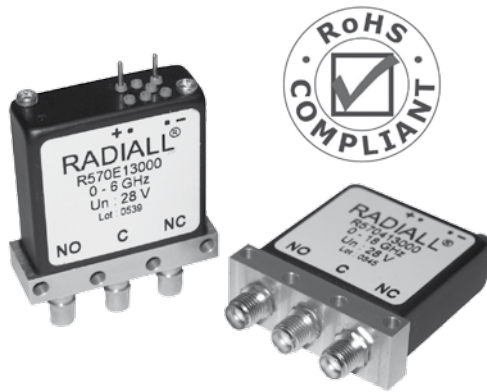


To download technical data sheets, visit [www.radiall.com](http://www.radiall.com) & enter the part number in the Search box. For more detailed technical information please consult Radiall customer support.

[www.radiall.com](http://www.radiall.com)

**SPDT up to 50 GHz**

Pc Board - SMA - SMA2.9 - 2.4mm - QMA - SMC - SMB - mini SMB - DIN 1.6/5.6

COAXIAL SPDT  
RELAYS

Radiall's RAMSES SPDT switches offer excellent reliability, high performance and operating frequencies from DC to 50 GHz. With RADIALL's RAMSES Concept (which provides for a life span of 10 million cycles) all options are available to respond to customer needs.

These relays are dedicated to all market applications including: Military, Instrumentation and Telecommunications.

Example of P/N:

R570413100 is a SPDT SMA 18 GHz, failsafe, 28 Vdc, with TTL driver, without option, solder pins.

**PART NUMBER SELECTION****R 570****Frequency range:**

- 3: SMA up to 3 GHz
- B: SMB up to 3 GHz
- C: SMC up to 3 GHz
- E: QMA up to 6 GHz (4)
- 4: SMA up to 18 GHz
- F: SMA up to 26.5 GHz
- 8: SMA2.9 up to 40 GHz (5)
- J: 2.4mm up to 50 GHz
- 9: DIN 1.6/5.6 up to 2.5 GHz
- H: mini SMB up to 3 GHz (6)
- A: Pc board mount up to 3 GHz (6)

**Type:**

- 1: Failsafe
- 2: Failsafe + I.C.
- 3: Latching
- 4: Latching + I.C.
- 5: Latching + S.C.O. (1)
- 6: Latching + S.C.O. + I.C. (1)

I.C.: Indicator contact - S.C.O.: Self Cut-Off

(1): Suppression diodes are already included in Self Cut-OFF & TTL option

(2): Polarity is not relevant to application for switches with TTL driver

(3): Positive common shall be specified only with type 3, 4, 5 & 6 because failsafe switches can be used with both polarities

(6): Available only upon request

**Actuator Voltage:**

- 2: 12 Vdc
- 3: 28 Vdc

**Actuator voltage:**

- 0: Solder pins

**Options:**

- 0: Without option
- 1: Positive common (2) (3)
- 3: With suppression diodes (1)
- 4: With suppression diodes and positive common (2) (3)

**TTL Option:**

- 0: Without TTL driver
- 1: With TTL driver (high level) (1) (2)

(4): The QLF trademark (Quick Lock Formula®) standard applies to QMA and QN series and guarantees the full intermateability between suppliers using this trademark. Using QLF certified connectors also guarantees the specified level of RF performances.

(5): Connector SMA2.9 is equivalent to "K connector®", registered trademark of Anritsu.



To download technical data sheets, visit [www.radiall.com](http://www.radiall.com) & enter the part number in the Search box. For more detailed technical information please consult Radiall customer support.

[www.radiall.com](http://www.radiall.com)

## GENERAL SPECIFICATIONS

Operating mode		Failsafe		Latching	
Nominal operating voltage (across temperature range)	Vdc	12	28	12	28
		(10.2 to 13)	(24 to 30)	(10.2 to 13)	(24 to 30)
Coil resistance at 23°C (+/-10%)	Ω	47.5	275	58	350
Operating current at 23°C	mA	250	102	210	80
Average power		See Power Rating Chart <a href="#">page 1-16</a>			
TTL Input	High level	2.5 to 5.5 Volts		800µA max 5.5 Volts	
	Low level	0 to 0.8 Volts		20µA max 0.8 Volts	
Indicator rating		1 W / 30 V / 100mA			
Switching time		ms			
Life	SMA - SMA2.9 - QMA		10 million cycles		
	DIN 1.6/5.6 - Pc Board		5 million cycles		
	SMB - SMC - mini SMB		2.5 million cycles		
	2.4mm		2 million cycles		
Connectors		SMA - SMA2.9 - QMA - DIN 1.6/5.6 - SMB - SMC Mini SMB - Pc Board - 24 mm			
Operating temperature range	DIN 1.6/5.6 - SMB - SMC - mini SMB - 2.4mm		-25°C to +70°C		
	SMA - SMA2.9 - QMA - Pc Board		-40°C to +85°C		
Storage temperature range	DIN 1.6/5.6 - SMB - SMC - mini SMB - 2.4mm		-40°C to +85°C		
	SMA - SMA2.9 - QMA - Pc Board		-55°C to +85°C		
Vibration (MIL STD 202, Method 204D, cond.D)		10-2000 Hz, 20g		Operating	
Shock (MIL STD 202, Method 213B, cond.C)		100g / 6ms, ½ sine		Operating	

## RF PERFORMANCES

Connectors	Frequency Range GHz	V.S.W.R. (max)	Insertion Loss (max) dB	Isolation (min) dB	Impedance Ohms	
DIN 1.6/5.6	DC - 2.5	DC - 1	1.20	0.20	80	75
		1 - 2.5	1.30	0.30	70	
Mini SMB	DC - 3	DC - 1	1.20	0.20	80	
		1 - 3	1.30	0.30	70	
SMB - SMC	DC - 3	DC - 3	1.20	0.20	80	50
QMA	DC - 6	DC - 3	1.20	0.20	80	50
		3 - 6	1.30	0.30	70	
SMA	DC - 3 DC - 18 DC - 26.5	DC - 3	1.20	0.20	80	50
		3 - 8	1.30	0.30	70	
		8 - 12.4	1.40	0.40	60	
		12.4 - 18	1.50	0.50	60	
SMA 2.9	DC - 40	18 - 26.5	1.70	0.70	55	50
		DC - 6	1.30	0.30	70	
		6 - 12.4	1.40	0.40	60	
		12.4 - 18	1.50	0.50	60	
PC Board	DC - 3	18 - 26.5	1.70	0.70	55	50
		26.5 - 40	1.90	0.80	50	
		DC - 3	1.20	0.20	80	
2.4mm	DC - 50	DC - 6	1.30	0.30	70	50
		6 - 12.4	1.40	0.40	60	
		12.4 - 18	1.50	0.50	60	
		18 - 26.5	1.70	0.70	55	
		26.5 - 40	1.90	0.80	50	
		40 - 50	1.90	1.10	50	

See page 2-14, 2-18 and 2-19 for typical RF performances

To download technical data sheets, visit [www.radiall.com](http://www.radiall.com) & enter the part number in the Search box.  
For more detailed technical information please consult Radiall customer support.

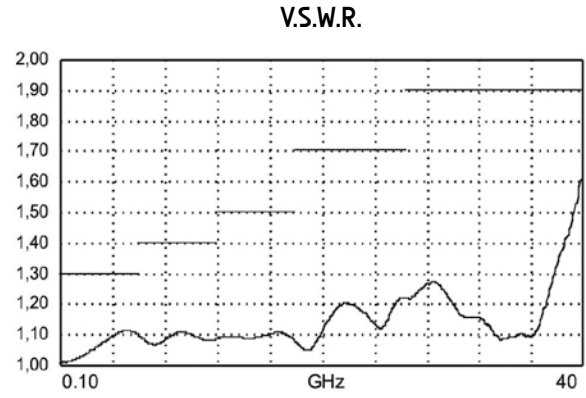
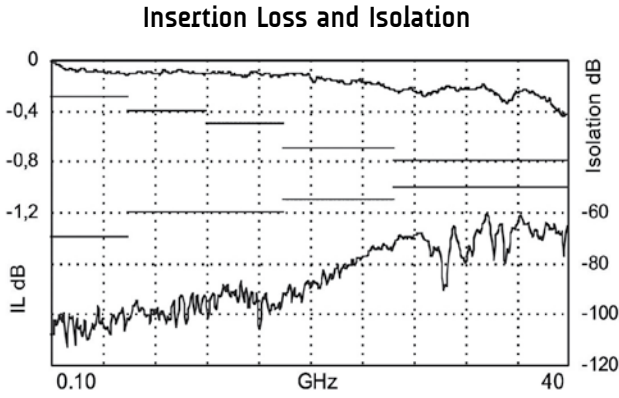
**SPDT up to 50 GHz**

Pc Board - SMA - SMA2.9 - 2.4mm - QMA - SMC - SMB - mini SMB - DIN 1.6/5.6

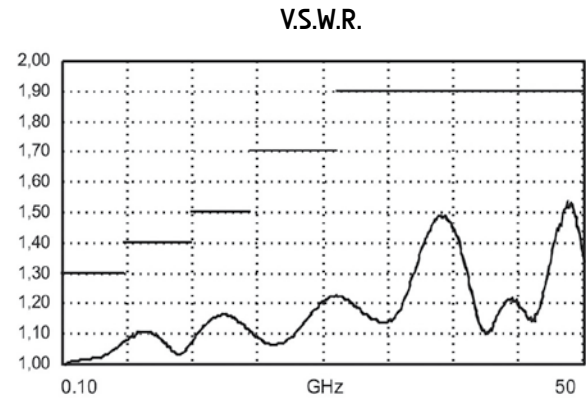
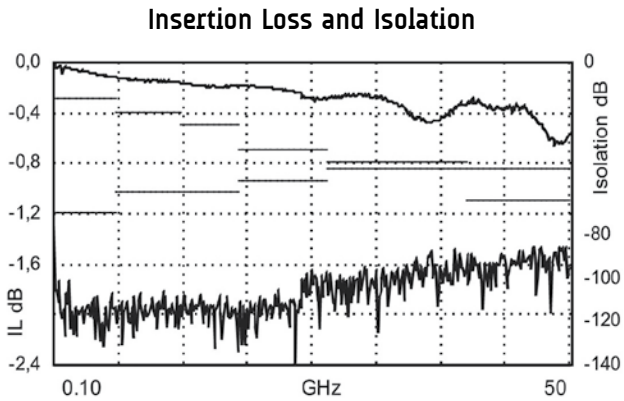
COAXIAL SPDT  
RELAYS

**R570 AND R572 TYPICAL RF PERFORMANCES**

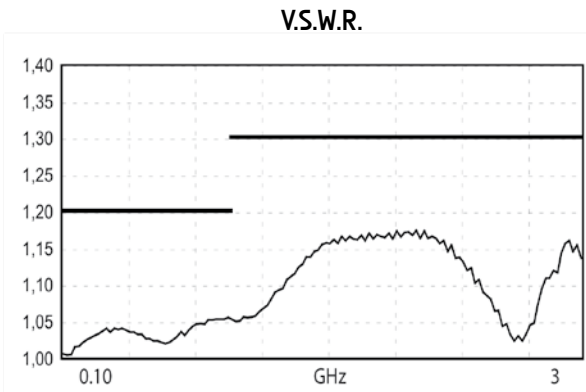
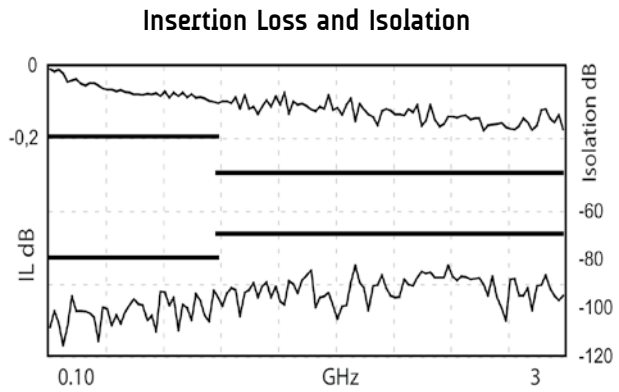
Example: SPDT SMA2.9 up to 40 GHz



Example: SPDT 2.4mm up to 50 GHz



Example: SPDT mini SMB up to 3 GHz



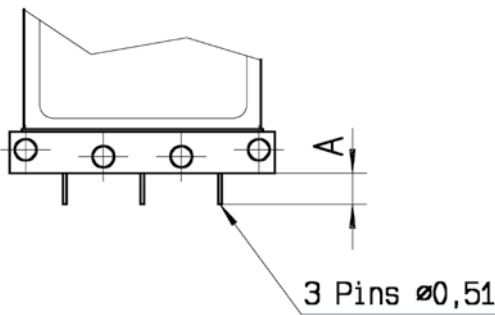
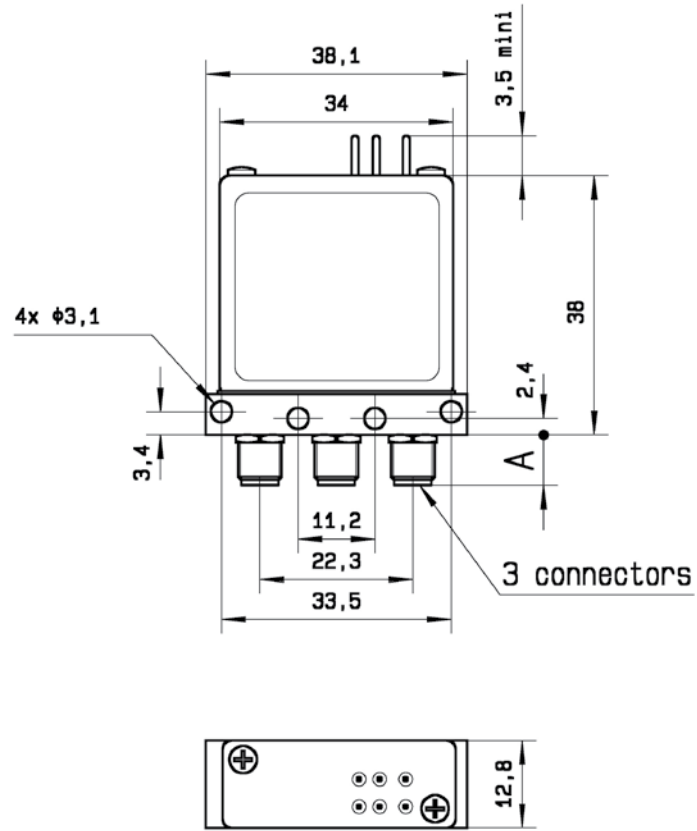
Note: see page 2-18 for other connectors.

To download technical data sheets, visit [www.radiall.com](http://www.radiall.com) & enter the part number in the Search box. For more detailed technical information please consult Radiall customer support.



**TYPICAL OUTLINE DRAWING**

Connectors	A max (mm)
SMA	7.4
SMA2.9 & 2.4mm	6.3
SMB - SMC	9.3
QMA	10.8
Mini SMB	7.5
DIN 1.6/5.6	11.5
Pc Board	4.5

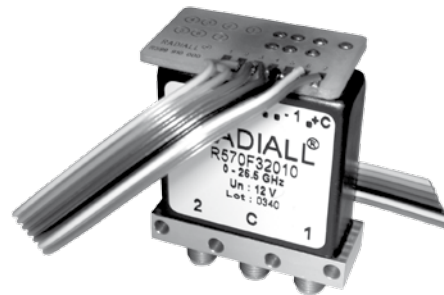
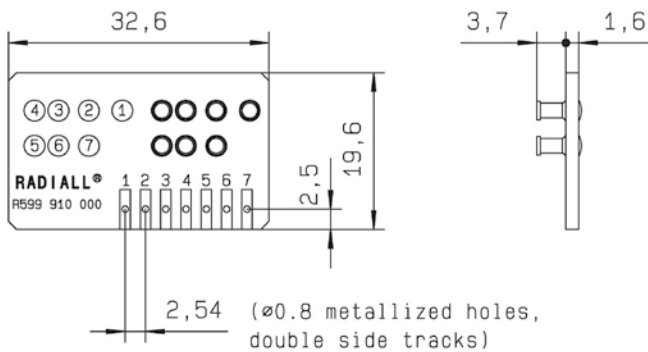


See page 2-27 for pin identification.

**ACCESSORIES**

A printed circuit board interface connector (ordered separately) has been designed for easy mounting on terminals.

For SPDT model R570 series => Radiall part number: **R599 910 000**



To download technical data sheets, visit [www.radiall.com](http://www.radiall.com) & enter the part number in the Search box. For more detailed technical information please consult Radiall customer support.



# SPDT up to 50 GHz: Low Consumption & Reduced Size

SMA - SMA2.9 - 2.4mm - QMA - SMC - SMB - mini SMB - DIN 1.6/5.6

COAXIAL SPDT  
RELAYS



RADIALL's RAMSES R572 SERIES are ideal for RF & Microwaves systems where low current consumption, reduced size, high performance and high reliability are required. Other options are also available as shown on this page.

These relays are perfect for all market applications including: Industrial, Instrumentation, Defense and Telecommunications as well.

Example of P/N:

R572432010 is a SPDT SMA 18 GHz, latching, 12 Vdc, positive common, solder pins.

## PART NUMBER SELECTION

# R 572 . . . 0 . 0

### Frequency range:

- 3: SMA up to 3 GHz
- B: SMB up to 3 GHz
- C: SMC up to 3 GHz
- E: QMA up to 6 GHz (3)
- 4: SMA up to 18 GHz
- F: SMA up to 26.5 GHz
- 8: SMA2.9 up to 40 GHz (4)
- J: 2.4mm up to 50 GHz
- 9: DIN 1.6/5.6 up to 2.5 GHz
- H: mini SMB up to 3 GHz (2)

### Type:

- 1: Failsafe
- 3: Latching

### Options:

- 0: Without option
- 1: Positive common (1)

### Actuator Voltage:

- 2: 12 Vdc
- 3: 28 Vdc

- (1): Positive common shall be specified only with type 3 because failsafe switches can be used with both polarities.  
 (2): Available only upon request



(3): The QLF trademark (Quick Lock Formula®) standard applies to QMA and QN series and guarantees the full intermateability between suppliers using this trademark. Using QLF certified connectors also guarantees the specified level of RF performances

(4): Connector SMA2.9 is equivalent to "K connector®", registered trademark of Anritsu.

To download technical data sheets, visit [www.radiall.com](http://www.radiall.com) & enter the part number in the Search box.  
 For more detailed technical information please consult Radiall customer support.

## GENERAL SPECIFICATIONS

Operating mode		Failsafe		Latching	
Nominal operating voltage (across temperature range)	Vdc	12 (10.2 to 13)	28 (24 to 30)	12 (10.2 to 13)	28 (24 to 30)
Coil resistance at 23°C (+/-10%)	Ω	75	450	58	350
Operating current at 23°C	mA	160	62	210	80
Average power		See Power Rating Chart <b>page 1-16</b>			
Switching time	ms	10			
Life		2.5 million cycles (2 million cycles for connectors 2.4 mm)			
Connectors		SMA - SMA2.9 - QMA - DIN 1.6/5.6 - SMB - SMC - 2.4 mm			
Operating temperature range	DIN 1.6/5.6 - SMB - SMC - mini SMB - 2.4mm	-25°C to +70°C			
	SMA - SMA2.9 - QMA - Pc Board	-40°C to +85°C			
Storage temperature range	DIN 1.6/5.6 - SMB - SMC - mini SMB - 2.4mm	-40°C to +85°C			
	SMA - SMA2.9 - QMA - Pc Board	-55°C to +85°C			
Vibration (MIL STD 202, Method 204D, cond.C)		10-2000 Hz, 20g		Operating	
Shock (MIL STD 202, Method 213B, cond.G)		50g, 11ms, ½ sine		Operating	

## RF PERFORMANCES

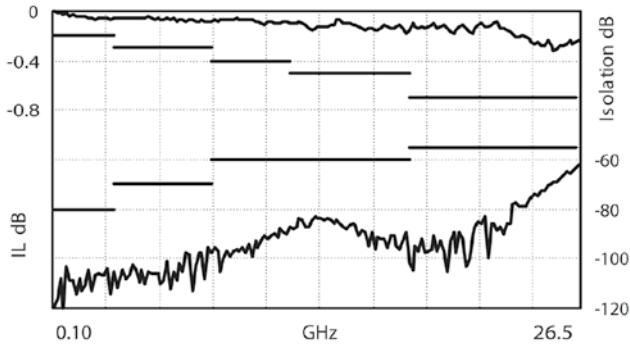
Connectors	Frequency Range GHz	V.S.W.R. (max)	Insertion Loss (max) dB	Isolation (min) dB	Impedance Ohms	
DIN 1.6/5.6	DC - 2.5	DC - 1	1.20	0.20	80	75
		1 - 2.5	1.30	0.30	70	
Mini SMB	DC - 3	DC - 1	1.20	0.20	80	
		1 - 3	1.30	0.30	70	
SMB - SMC	DC - 3	DC - 3	1.20	0.20	80	50
QMA	DC - 6	DC - 3	1.20	0.20	80	50
		3 - 6	1.30	0.30	70	
SMA	DC - 3 DC - 18 DC - 26.5	DC - 3	1.20	0.20	80	50
		3 - 8	1.30	0.30	70	
		8 - 12.4	1.40	0.40	60	
		12.4 - 18	1.50	0.50	60	
SMA2.9	DC - 40	18 - 26.5	1.70	0.70	55	
		DC - 6	1.30	0.30	70	
		6 - 12.4	1.40	0.40	60	
		12.4 - 18	1.50	0.50	60	
2.4mm	DC - 50	18 - 26.5	1.70	0.70	55	50
		26.5 - 40	1.90	0.80	50	
		40 - 50	1.90	1.10	50	
		DC - 6	1.30	0.30	70	
		6 - 12.4	1.40	0.40	60	

To download technical data sheets, visit [www.radiall.com](http://www.radiall.com) & enter the part number in the Search box.  
For more detailed technical information please consult Radiall customer support.

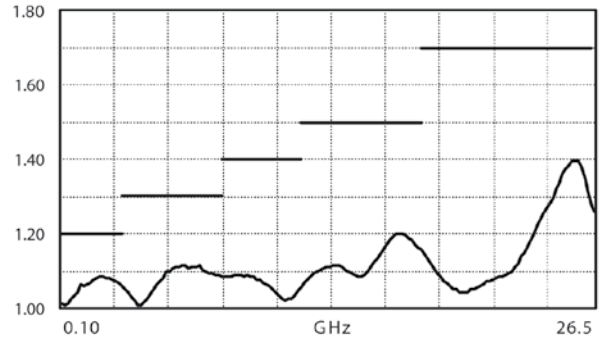
**R570 AND R572 TYPICAL RF PERFORMANCES**

Example: SPDT SMA up to 26.5 GHz

Insertion Loss and Isolation

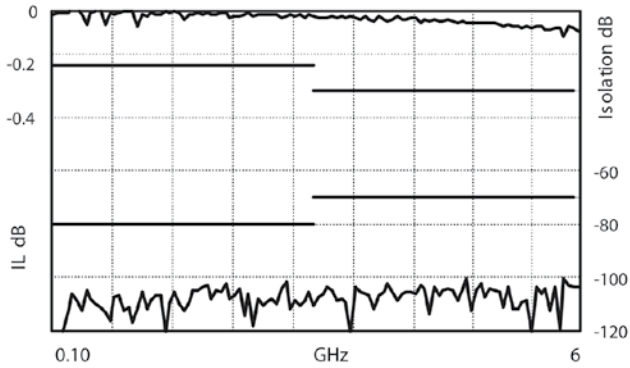


V.S.W.R.

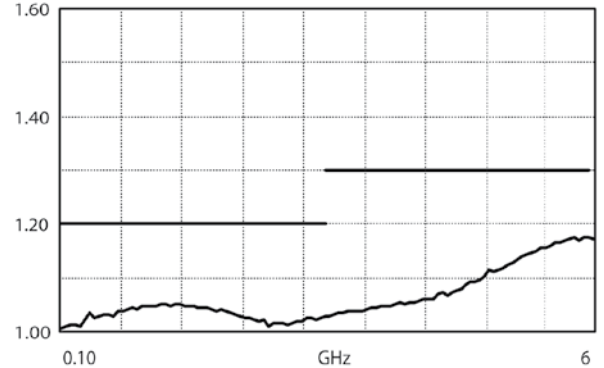


Example: SPDT QMA up to 6 GHz

Insertion Loss and Isolation



V.S.W.R.



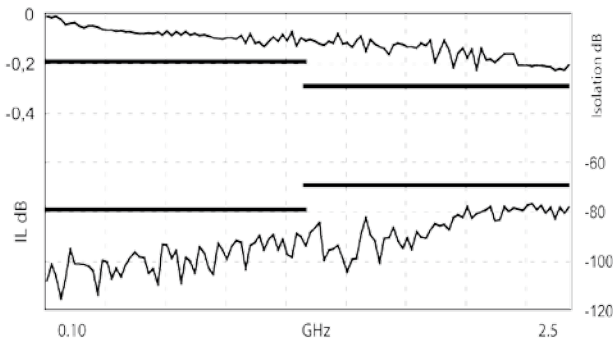
Note: see page 2-14 for other connectors.

To download technical data sheets, visit [www.radiall.com](http://www.radiall.com) & enter the part number in the Search box.  
 For more detailed technical information please consult Radiall customer support.

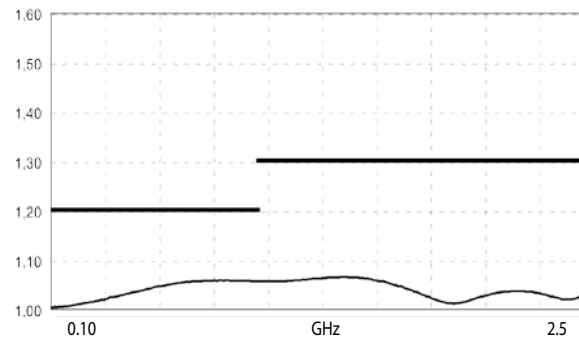
## R570 AND R572 TYPICAL RF PERFORMANCES

Example: SPDT DIN 1.6/5.6 up to 2.5 GHz

Insertion Loss and Isolation

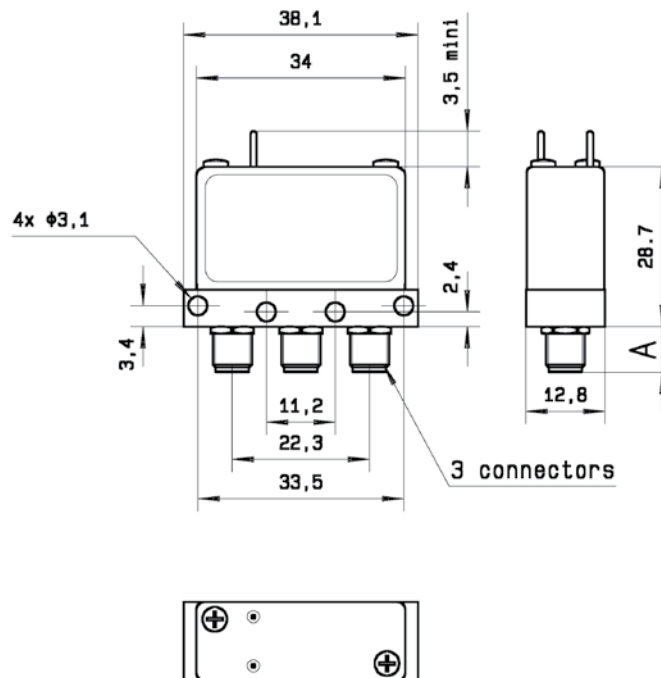


V.S.W.R.



## TYPICAL OUTLINE DRAWING

Connectors	A max (mm)
SMA	7.4
SMA2.9 & 2.4mm	6.3
SMB - SMC	9.3
QMA	10.8
Mini SMB	7.5
DIN 1.6/5.6	11.5



See page 2-27 for pin identification

To download technical data sheets, visit [www.radiall.com](http://www.radiall.com) & enter the part number in the Search box.  
For more detailed technical information please consult Radiall customer support.



RADIALL's RAMSES SPDT N, BNC & TNC switches are designed for high performance in RF & Microwave systems up to 18 GHz. With RADIALL's RAMSES concept (modular concept) a full range of configurations are available. They are commonly used for applications where high power handling capability is required.

These relays are dedicated to all market applications including: Defense, Instrumentation and Telecommunications.

Example of P/N:

R570113035 is a SPDT N 12.4 GHz, failsafe, 28 Vdc, with suppression diodes, without option, D-Sub connector.

## PART NUMBER SELECTION

### R 570

#### Frequency range:

- 0: N up to 3 GHz
- 1: N up to 12.4 GHz
- 2: BNC up to 3 GHz
- 5: TNC up to 3 GHz
- 6: TNC up to 12.4 GHz
- D: TNC up to 18 GHz

#### Type:

- 1: Failsafe
- 2: Failsafe + I.C.
- 3: Latching
- 4: Latching + I.C.
- 5: Latching + S.C.O. (1)
- 6: Latching + S.C.O. + I.C. (1)

#### Actuator Voltage:

- 2: 12 Vdc
- 3: 28 Vdc

#### Actuator Voltage:

- 0: Solder pins
- 5: D-Sub connector

#### Options:

- 0: Without option
- 1: Positive common (2) (3)
- 3: With suppression diodes (1)
- 4: With suppression diodes and positive common (2) (3)

#### TTL Option:

- 0: Without TTL driver
- 1: With TTL driver (high level) (1) (2)

I.C.: Indicator contact - S.C.O.: Self Cut-Off

(1): Suppression diodes are already included in Self Cut-OFF & TTL option

(2): Polarity is not relevant to application for switches with TTL driver

(3): Positive common shall be specified only with type 3, 4, 5 & 6 because failsafe switches can be used with both polarities

To download technical data sheets, visit [www.radiall.com](http://www.radiall.com) & enter the part number in the Search box.  
For more detailed technical information please consult Radiall customer support.

## GENERAL SPECIFICATIONS

Operating mode		Failsafe		Latching	
Nominal operating voltage (across temperature range)	Vdc	12	28	12	28
		(10.2 to 13)	(24 to 30)	(10.2 to 13)	(24 to 30)
Coil resistance at 23°C (+/-10%)	Ω	47.5	275	38	225
Operating current at 23°C	mA	250	102	320	125
Average power		See Power Rating Chart <b>page 1-16</b>			
TTL input	High level	2.2 to 5.5 Volts		800µA max 5.5 Volts	
	Low level	0 to 0.8 Volts		20µA max 0.8 Volts	
Switching time	ms	15			
Life		2.5 million cycles			
Connectors		N - TNC - BNC			
Actuator terminals		Solders pins or 9 pin D-Sub connector			
Operating temperature range		-40°C to +85°C			
Storage temperature range		-55°C to +85°C			
Vibration (MIL STD 202, Method 204D, cond.D)		10-2000 Hz, 20g		Operating	
Shock (MIL STD 202, Method 213B, cond.C)		100g / 6 ms, ½ sine		Non operating	

## RF PERFORMANCES

Connectors	Frequency Range GHz	V.S.W.R. (max)	Insertion Loss (max) dB	Isolation (min) dB	Impedance Ohms	
N / TNC	DC - 3 DC - 12.4	DC - 1	1.15	0.15	85	50
		1 - 2	1.20	0.20	80	
		2 - 3	1.25	0.25	75	
		3 - 8	1.35	0.35	70	
		8 - 12.4	1.50	0.50	60	
TNC 18GHz	DC - 18	DC - 6	1.30	0.30	70	50
		6 - 12.4	1.50	0.50	60	
		12.4 - 18	1.60	0.70	60	
BNC	DC - 3	DC - 1	1.15	0.15	85	50
		1 - 2	1.20	0.20	80	
		2 - 3	1.25	0.25	75	

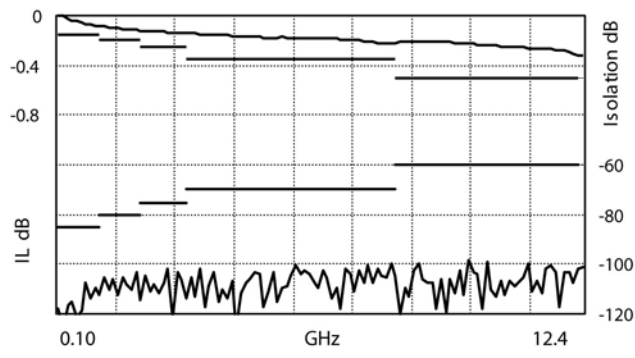
See page 2-22 for typical RF performances

To download technical data sheets, visit [www.radiall.com](http://www.radiall.com) & enter the part number in the Search box.  
For more detailed technical information please consult Radiall customer support.

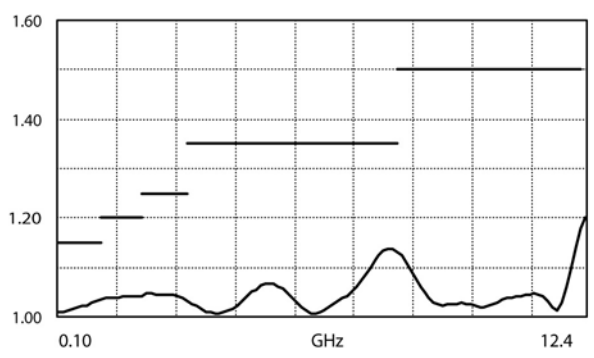
**R570 TYPICAL RF PERFORMANCES**

Example: SPDT N and TNC up to 12.4 GHz

Insertion Loss and Isolation

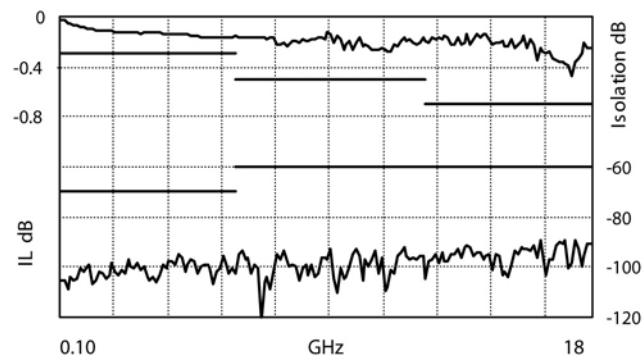


V.S.W.R.

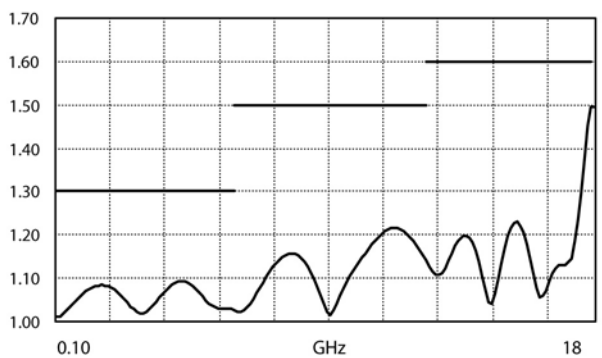


Example: SPDT TNC up to 18 GHz

Insertion Loss and Isolation



V.S.W.R.

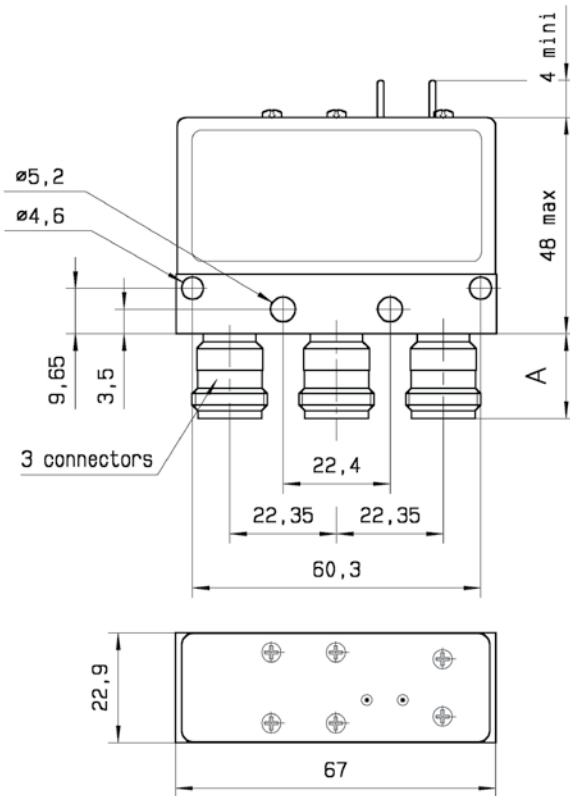


To download technical data sheets, visit [www.radiall.com](http://www.radiall.com) & enter the part number in the Search box.  
 For more detailed technical information please consult Radiall customer support.

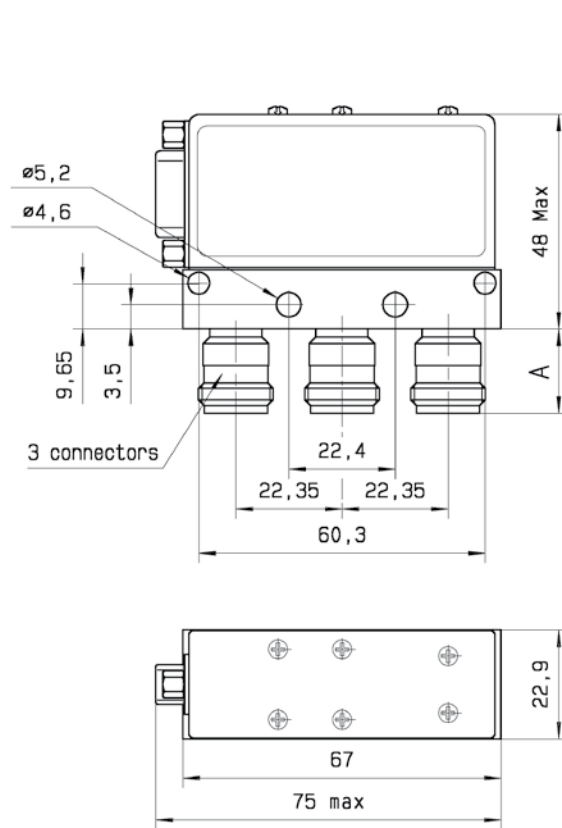


## TYPICAL OUTLINE DRAWING

Example: SPDT N up to 12.4 GHz



See page 2-27 for pin allocation



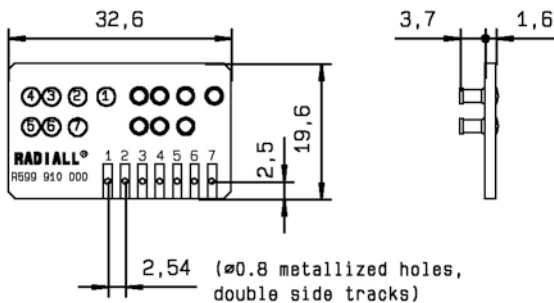
See page 2-27 for D-Sub pin allocation

Connectors	N	TNC	BNC
A max (mm)	17.7	11.3	11.3

## ACCESSORIES

A printed circuit board interface connector (ordered separately) has been designed for easy mounting on terminals.

For SPDT model R570 series => Radiall part number: **R599 910 000**



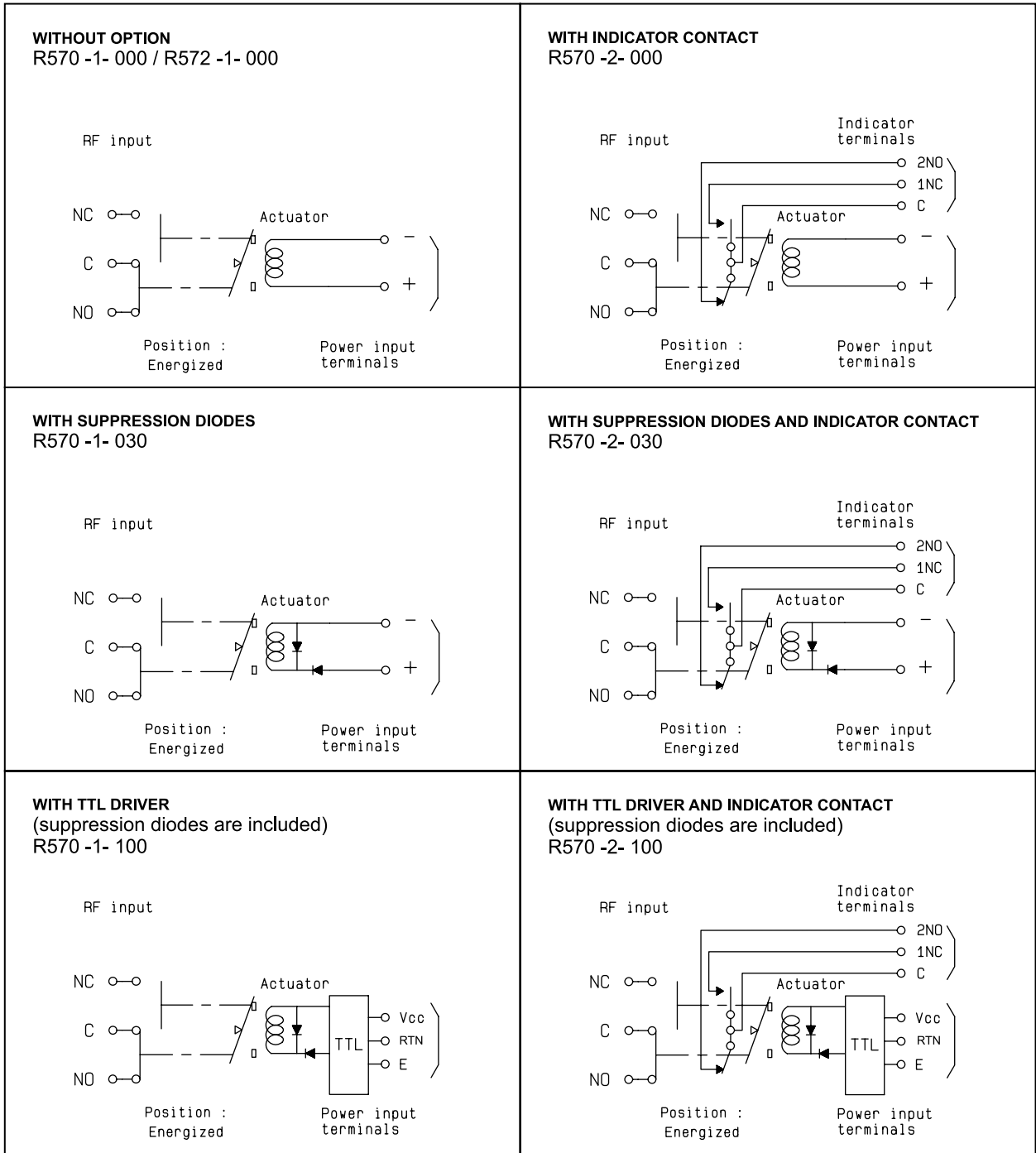
To download technical data sheets, visit [www.radiall.com](http://www.radiall.com) & enter the part number in the Search box. For more detailed technical information please consult Radiall customer support.

# COAXIAL SPDT - Electrical Schematics

## R570/R572 Series

COAXIAL SPDT  
RELAYS

### FAILSAFE



To download technical data sheets, visit [www.radiall.com](http://www.radiall.com) & enter the part number in the Search box.  
For more detailed technical information please consult Radiall customer support.

LATCHING

<p><b>WITHOUT OPTION</b> R570 -3- 000 and R572 -3- 000</p> <p>RF input</p> <p>1</p> <p>C</p> <p>2</p> <p>Actuator</p> <p>+1</p> <p>-C</p> <p>+2</p> <p>Power input terminals</p>	<p><b>WITH INDICATOR CONTACT</b> R570 -4- 000</p> <p>RF input</p> <p>1</p> <p>C</p> <p>2</p> <p>Actuator</p> <p>+1</p> <p>-C</p> <p>+2</p> <p>Indicator terminals</p> <p>2</p> <p>1</p> <p>C</p> <p>Power input terminals</p>
<p><b>WITH SUPPRESSION DIODES</b> R570 -3- 030</p> <p>RF input</p> <p>1</p> <p>C</p> <p>2</p> <p>Actuator</p> <p>+1</p> <p>-C</p> <p>+2</p> <p>Power input terminals</p>	<p><b>WITH SUPPRESSION DIODES AND INDICATOR CONTACT</b> R570 -4- 030</p> <p>RF input</p> <p>1</p> <p>C</p> <p>2</p> <p>Actuator</p> <p>+1</p> <p>-C</p> <p>+2</p> <p>Indicator terminals</p> <p>2</p> <p>1</p> <p>C</p> <p>Power input terminals</p>
<p><b>WITH TTL DRIVER</b> (suppression diodes are included) R570 -3- 100</p> <p>RF input</p> <p>1</p> <p>C</p> <p>2</p> <p>Actuator</p> <p>TTL</p> <p>Vcc</p> <p>RTN</p> <p>E1</p> <p>E2</p> <p>Power input terminals</p>	<p><b>WITH TTL DRIVER AND INDICATOR CONTACT</b> (suppression diodes are included) R570 -4- 100</p> <p>RF input</p> <p>1</p> <p>C</p> <p>2</p> <p>Actuator</p> <p>TTL</p> <p>Vcc</p> <p>RTN</p> <p>E1</p> <p>E2</p> <p>Indicator terminals</p> <p>2</p> <p>1</p> <p>C</p> <p>Power input terminals</p>

To download technical data sheets, visit [www.radiall.com](http://www.radiall.com) & enter the part number in the Search box.  
For more detailed technical information please consult Radiall customer support.

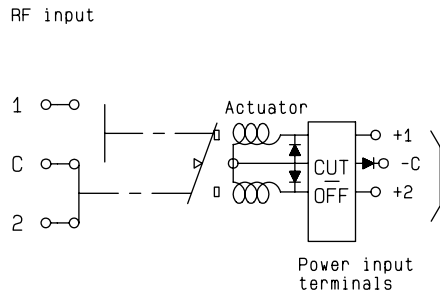
# COAXIAL SPDT - Electrical Schematics

## R570/R572 Series

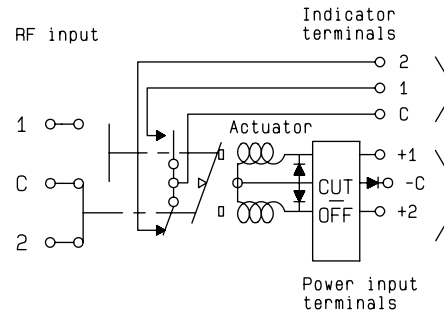
**COAXIAL SPDT  
RELAYS**

### LATCHING

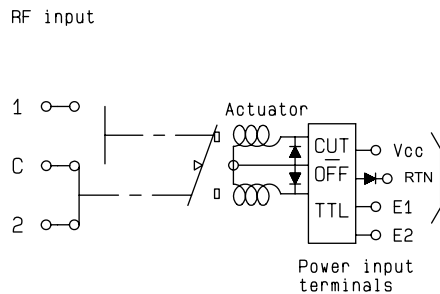
**WITH CUT-OFF**  
(suppression diodes are included)  
R570 -5- 000



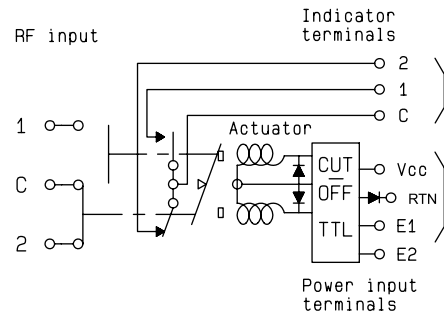
**WITH CUT-OFF AND INDICATOR CONTACT**  
(suppression diodes are included)  
R570 -6- 000



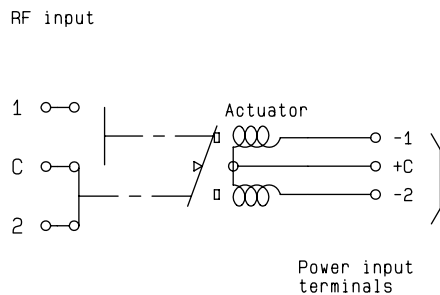
**WITH CUT-OFF AND TTL DRIVER**  
(suppression diodes are included)  
R570 -5- 100



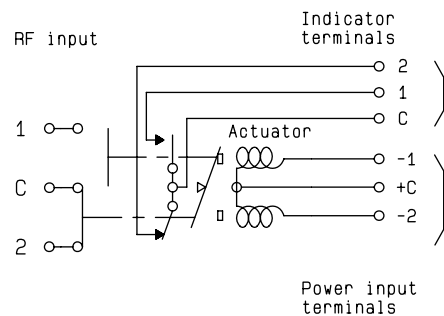
**WITH CUT-OFF, TTL AND INDICATOR CONTACT**  
(suppression diodes are included)  
R570 -6- 100



**WITH POSITIVE COMMON, NO OPTION**  
R570 -3- 010 / R572 -3- 010

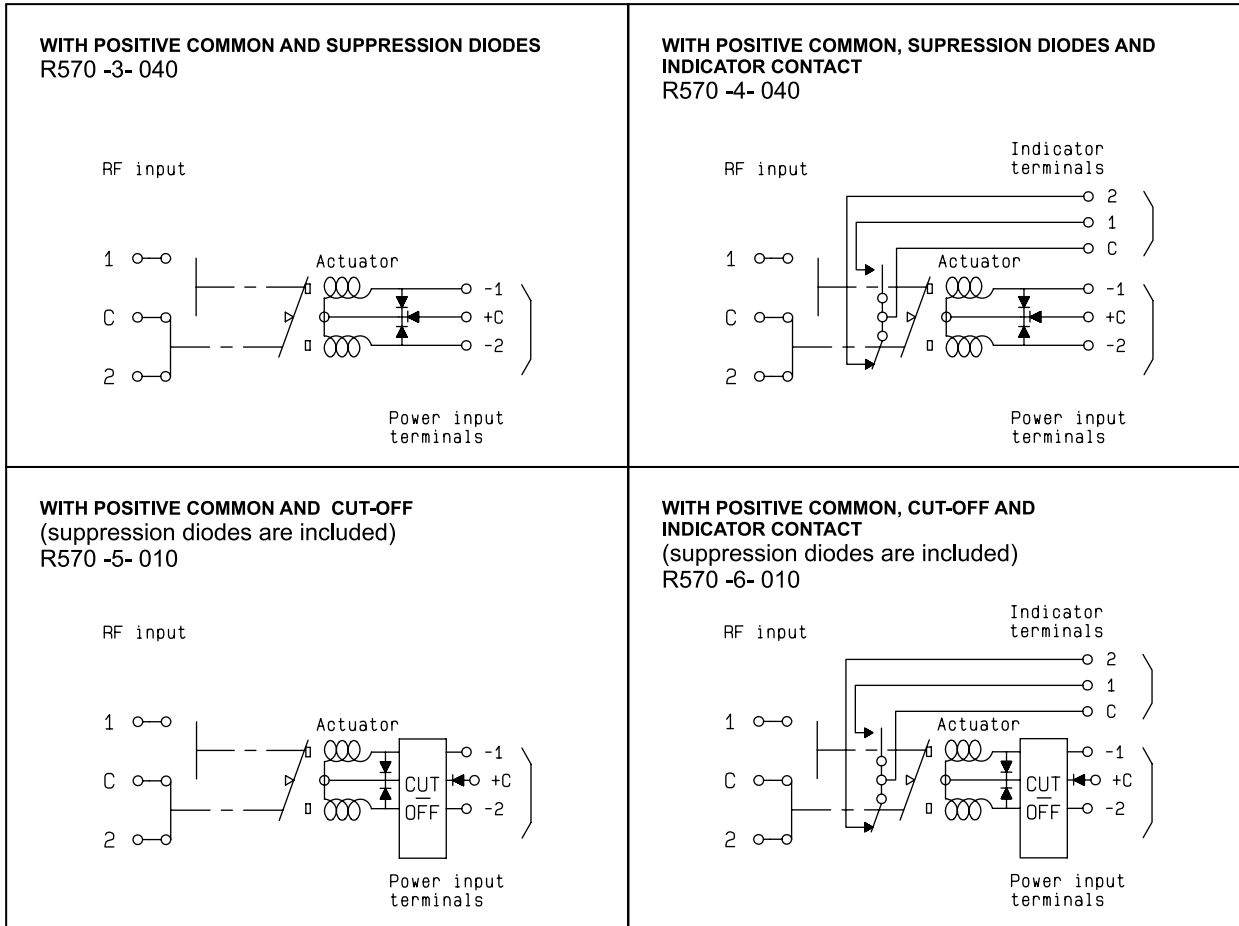


**WITH POSITIVE COMMON AND INDICATOR CONTACT**  
R570 -4- 010



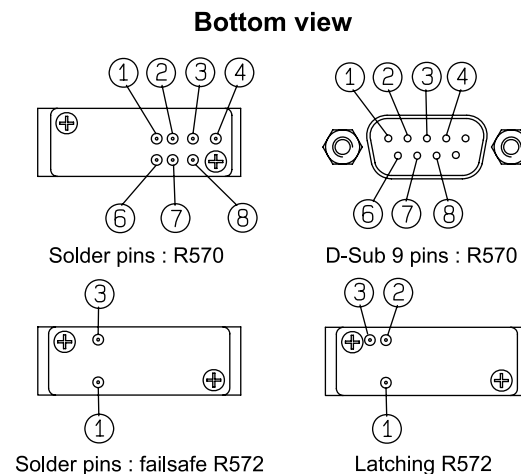
To download technical data sheets, visit [www.radiall.com](http://www.radiall.com) & enter the part number in the Search box.  
For more detailed technical information please consult Radiall customer support.

## LATCHING



## PIN IDENTIFICATION

Type	PIN							
	1	2	3	4	6	7	8	
Failsafe	+		-					
Failsafe + I.C.	+		-		2NO	INC	C	
Failsafe + TTL	E		RTN	VCC				
Failsafe + I.C. + TTL	E		RTN	VCC	2NO	INC	C	
Latching	-2 or	-1 or	+C or					
Latching + Cut-off	+2	+1	-C					
Latching + I.C.	-2 or	-1 or	+C or		2	1	C	
Latching + I.C. + Cut-off	+2	+1	-C					
Latching + TTL	E2	E1	RTN	VCC				
Latching + TTL + Cut-off								
Latching + TTL + I.C.	E2	E1	RTN	VCC	2	1	C	
Latching + TTL + I.C. + Cut-off								



To download technical data sheets, visit [www.radiall.com](http://www.radiall.com) & enter the part number in the Search box.  
For more detailed technical information please consult Radiall customer support.

# High performance SPDT up to 26.5 GHz SMA

COAXIAL SPDT  
RELAYS



Radiall's PLATINUM SERIES switches are optimised to perform at a high level over an extended life span, with outstanding RF performances, and a guaranteed insertion loss repeatability of 0.03 dB over a life span of 10 million switching cycles. PLATINUM SERIES switches are perfect for automated test and measurement equipment, as well as signal monitoring devices.

Example of P/N:

R595443125 is a SPDT SMA 20 GHz, latching, 24Vdc, with TTL driver, Indicators, D-Sub connector.

## PART NUMBER SELECTION

# R 595 1

### Frequency range:

- 3: SMA up to 6 GHz
- 4: SMA up to 20 GHz
- F: SMA up to 26.5 GHz

### Type:

- 3: Latching
- 4: Latching + I.C.
- 5: Latching + S.C.O.
- 6: Latching + S.C.O. + I.C.

### Actuator Voltage:

- 3: 24 Vdc
- 7: 15 Vdc

I.C.: Indicator contact - S.C.O.: Self Cut-Off

### Documentation:

- : Certificate of conformity
- C: Calibration certificate
- R: Calibration certificate + RF curves

### Actuator terminals:

- 0: Solder pins
- 5: D-Sub connector

### Options:

- 1: Without option (positive common)
- 2: Compatible TTL driver (high level)

To download technical data sheets, visit [www.radiall.com](http://www.radiall.com) & enter the part number in the Search box. For more detailed technical information please consult Radiall customer support.

## GENERAL SPECIFICATIONS

Operating mode		Latching	
Nominal operating voltage (across temperature range)	Vdc	24 (20 to 32)	15 (12 to 20)
Coil resistance (+/-10%)	$\Omega$	350	120
Operating current at 23°C	mA	68	125
Average Power		RF Path	Cold switching: see Power Rating Chart on <b>page 2-33</b> Hot switching: 1 Watt CW
TTL input	High level	3 to 7 Volts: 800 $\mu$ A max at 7 Volts	
	Low level	0 to 0.8 Volts: 20 $\mu$ A max at 0.8 Volts	
Switching time	ms	15	
Life (min)		10 million cycles	
Connectors		SMA	
Actuator terminal		D-Sub 9 pin female Solder pins	
Weight (max)	g	60	

## ENVIRONMENTAL SPECIFICATIONS

Operating temperature range	-25°C to +75°C
Storage temperature range	-55°C to +85°C
Temperature cycling (MIL STD 202F, Method 107D, Cond.A)	-55°C to +85°C (10 cycles)
Sine vibration operating (MIL STD 202, Method 204D, Cond.D)	20-2000 Hz, 20g
Random vibration operating	16.91g (rms) 50-2000 Hz 3min/axis
Shock operating (MIL STD 202, Method 213B, Cond.G)	50g / 11ms, sawtooth
Humidity operating	15 to 95% relative humidity
Humidity storage (MIL STD 202, Method 106E, Cond.E)	65°C, 95% RH, 10 days
Altitude operating	15.000 feet (4.600 meters)
Altitude storage (MIL STD 202, Method 105C, Cond.B)	50.000 feet (15.240 meters)

To download technical data sheets, visit [www.radiall.com](http://www.radiall.com) & enter the part number in the Search box.  
For more detailed technical information please consult Radiall customer support.

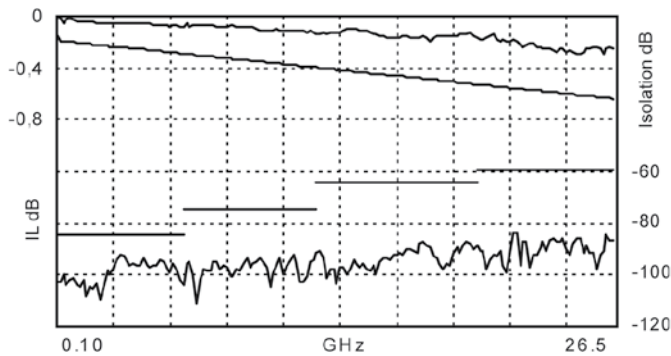


RF PERFORMANCES

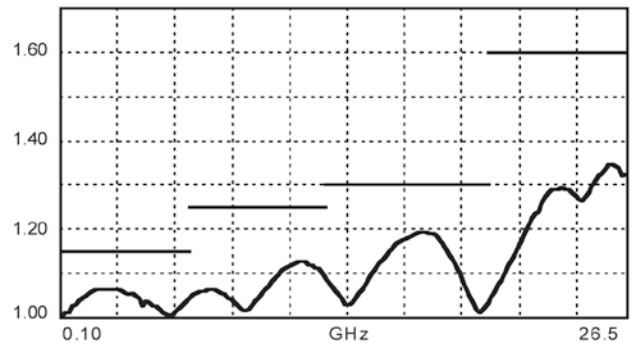
Part Number		R5953--1--	R5954--1--	R595F--1--		
Frequency range	GHz	DC to 6	DC to 20	DC to 26.5		
Impedance	Ω	50				
Insertion Loss (max)	dB	0.20 + (0.45 / 26.5) x frequency (GHz)				
Isolation (min)	dB	85	DC to 6 GHz	85	DC to 6 GHz	85
			6 to 12.4 GHz	75	6 to 12.4 GHz	75
			12.4 to 20 GHz	65	12.4 to 20 GHz	65
				20 to 26.5 GHz	60	
V.S.W.R. (max)	1.15		DC to 6 GHz	1.15	DC to 6 GHz	1.15
			6 to 12.4 GHz	1.25	6 to 12.4 GHz	1.25
			12.4 to 18 GHz	1.30	12.4 to 18 GHz	1.30
			18 to 20 GHz	1.60	20 to 26.5 GHz	1.60
Repeatability (up to 10 million cycles mesured at 25°C)	dB	0.03 dB maximum				

TYPICAL RF PERFORMANCES

Insertion Loss and Isolation



V.S.W.R.



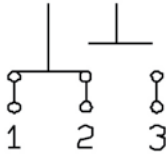
To download technical data sheets, visit [www.radiall.com](http://www.radiall.com) & enter the part number in the Search box.  
For more detailed technical information please consult Radiall customer support.

## SWITCH MODEL: NON TERMINATED SPDT SWITCH

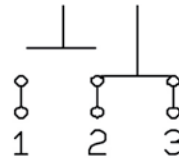
The non terminated SPDT switch is a single pole double throw switch. This switch is "break before make".

### RF SCHEMATIC DIAGRAM

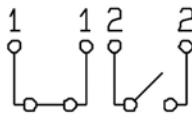
POSITION E1



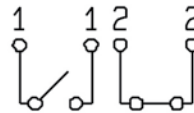
POSITION E2



### POSITION INDICATOR



STATE "11"



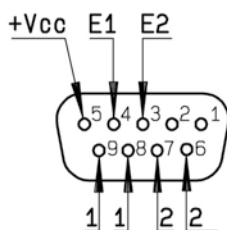
STATE "22"

#### Standard drive option "1" (Positive common):

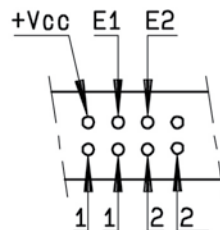
- Connect pin +Vcc to supply (+20 Vdc to +32 Vdc).
- Select desired RF path by applying ground to the corresponding "close" pin (Ex: ground pin E1 to switch to position E1. RF path 1-2 closed and RF path 2-3 open).
- To open desired path and close the new RF path, connect ground to the corresponding "close" pin (Ex: ground pin E2 to open RF path 1-2 and close RF path 2-3).

#### TTL drive option "2"

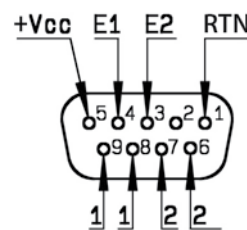
- Connect pin RTN to ground.
- Connect pin +Vcc to supply (+20 Vdc to +32 Vdc).
- Select (close) desired RF path by applying TTL "High" to the corresponding "drive" pin (Ex: apply TTL "High" to pin E1 to switch to position E1. RF path 1-2 closed and RF path 2-3 open).
- To open desired path and close the new RF path, apply TTL "High" to the "drive" pin which corresponds to the desired RF path. (Ex: apply TTL "High" to pin E2 to open RF path 1-2 and close RF path 2-3).



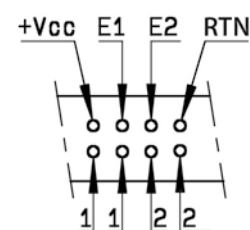
D-Sub connector



Solder pins



D-Sub connector

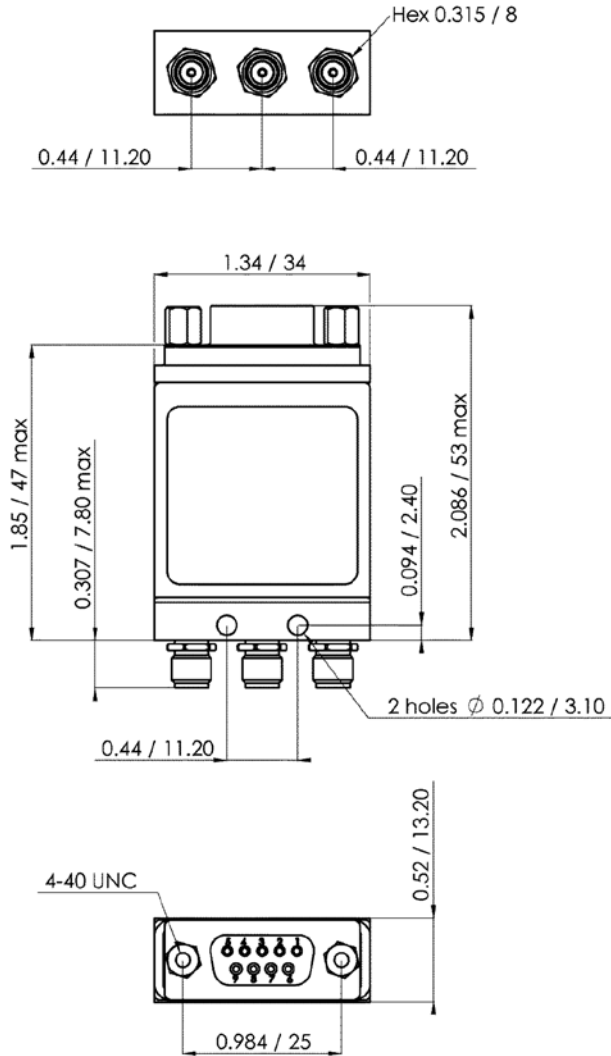


Solder pins

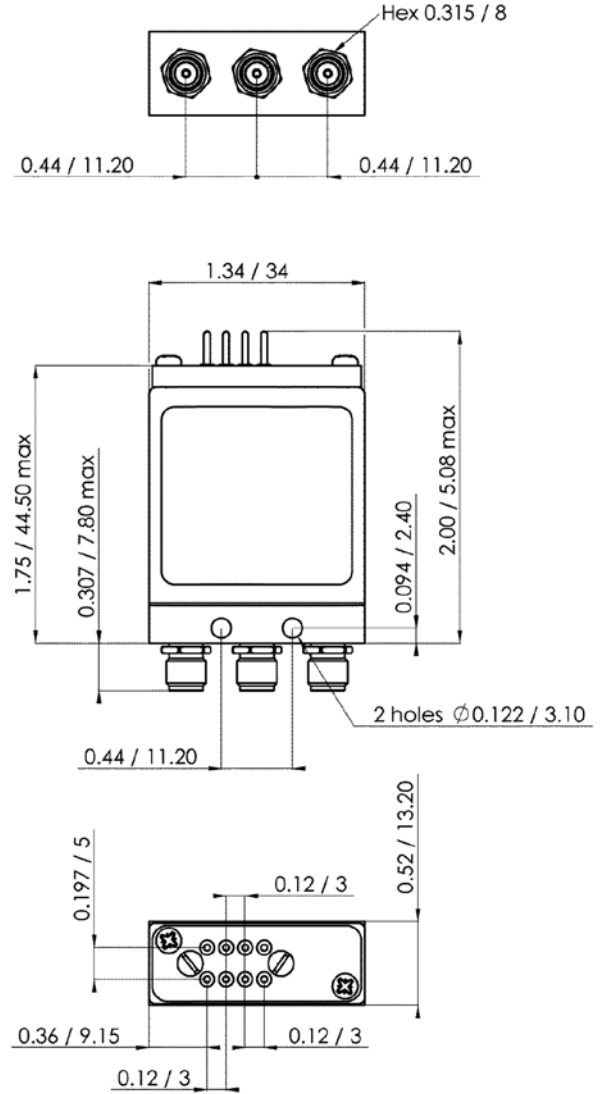
To download technical data sheets, visit [www.radiall.com](http://www.radiall.com) & enter the part number in the Search box.  
For more detailed technical information please consult Radiall customer support.

TYPICAL OUTLINE DRAWING

With D-Sub connector



With solder pins



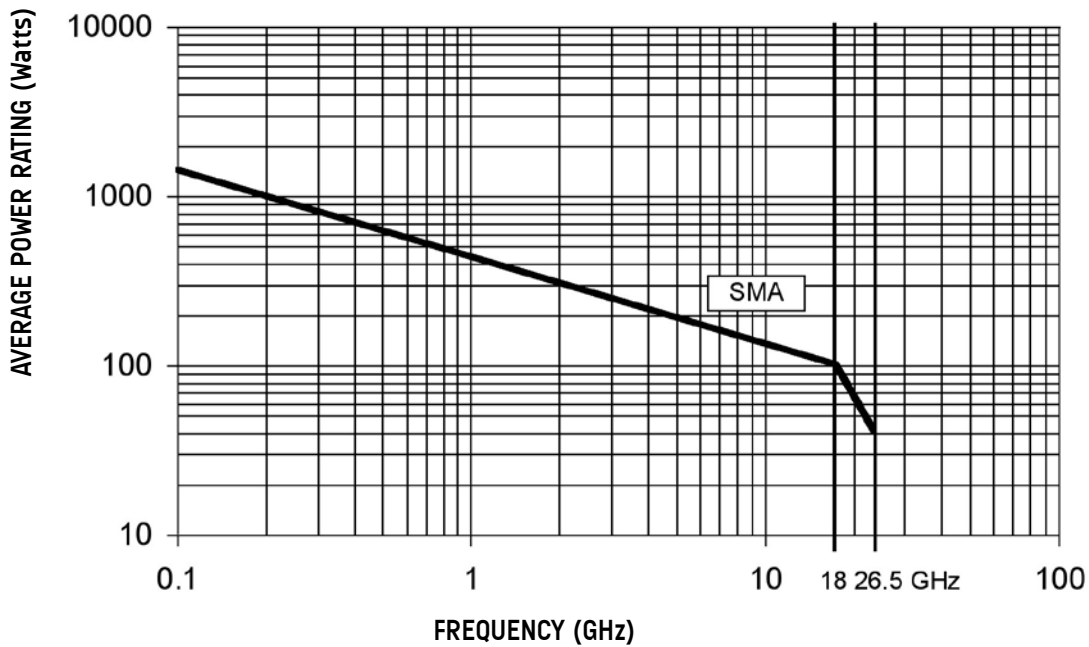
All dimensions are in inches/millimeters

To download technical data sheets, visit [www.radiall.com](http://www.radiall.com) & enter the part number in the Search box. For more detailed technical information please consult Radiall customer support.

## RF POWER RATING CHART

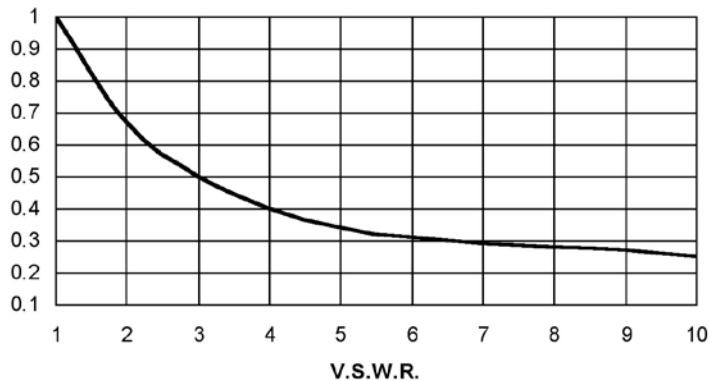
This graph is based on the following conditions:

- Ambient temperature: + 25°C
- Sea level
- V.S.W.R.: 1 and cold switching



## DERATING FACTOR VERSUS VSWR

The average power input must be reduced for load V.S.W.R. above 1:1



To download technical data sheets, visit [www.radiall.com](http://www.radiall.com) & enter the part number in the Search box.  
For more detailed technical information please consult Radiall customer support.

## Optional Features for SPDT

COAXIAL SPDT  
RELAYS

## GENERAL

All miniature SPDT switches fitted with SMA, QMA, SMC, SMB or SMA2.9 connectors can be delivered with 34 mm narrow width RF body. Ask RADIALL for availability.



## Examples of dedicated application options:



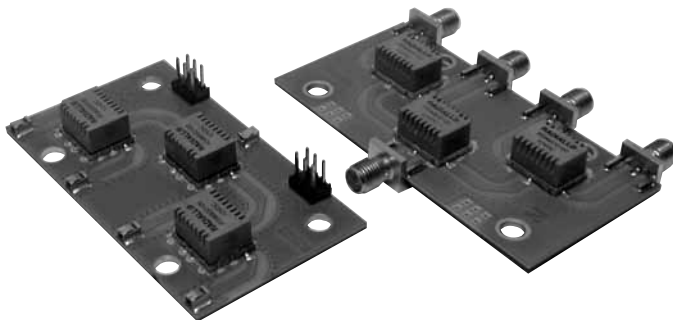
SMA SPDT with SINGLE input TTL driver. This option is available in latching configuration upon special request. Key advantages: Less wires, easier connection.



SPDT with HN coaxial connectors and MILC38999 circular connector for L band airborne applications.



SPDT models available for high power military applications (up to 100 watts CW from DC to 18 GHz).



A SP4T design up to 8 GHz with SMT relays mounted on a PCB fitted with UMP (Ultra Miniature Pressure) contact. Various switching configurations can be designed according to your specific requests.



A SMA SPDT with a specific RF body (with mounting leg) for easy mounting on front panel of switching matrix.

To download technical data sheets, visit [www.radiall.com](http://www.radiall.com) & enter the part number in the Search box. For more detailed technical information please consult Radiall customer support.